

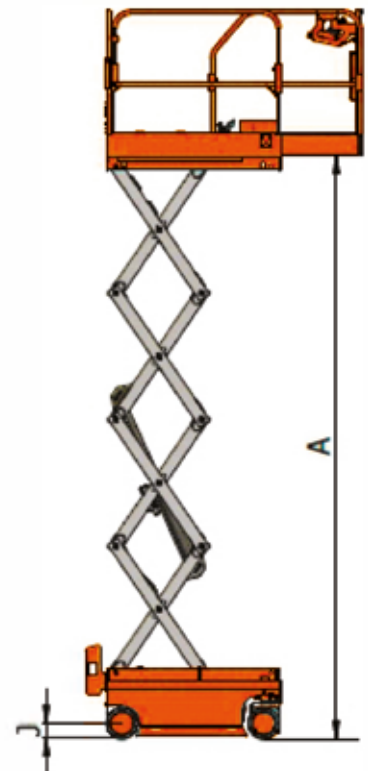
ACSL0607DC

Electric Driven Scissor Scissor-type Aerial Work Platform

ATLAS KOMPACT

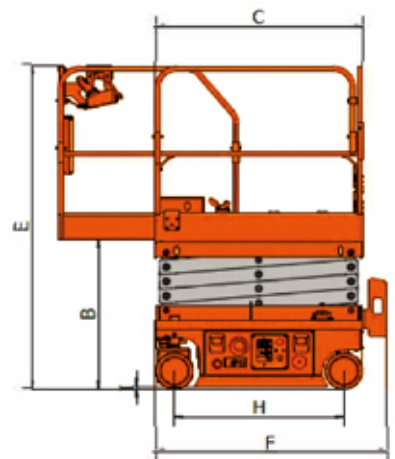
Dimension

| | | |
|-----------------|-----------------------------------|---------|
| Working height* | | 6.5 m |
| A | Platform height maximum | 4.5 m |
| B | Platform height (stowed) | 0.95 m |
| C | Platform length | 1.29 m |
| | Slide-out platform extension deck | 0.6 m |
| D | Platform width | 0.7 m |
| E | Stowed height (rails up) | 2.06 m |
| | Stowed height (rails down) | 1.7 m |
| F | Overall length | 1.44 m |
| G | Overall width | 0.76 m |
| H | Wheelbase | 1.05 m |
| I | Ground clearance (stowed) | 0.06 m |
| J | Ground clearance (raised) | 0.017 m |



Performance

| | |
|---|----------------------|
| Lift capacity | 240 kg |
| Lift capacity (extension deck) | 100 kg |
| Max. platform occupancy | 2 |
| Drive speed (stowed) | 3.6 km/h |
| Drive speed (elevated) | 0.8 km/h |
| Turning radius (inside) | 0.4 m |
| Turning radius (outside) | 1.6 m |
| Raise / lower speed | 20 s / 22 s |
| Gradeability** | 30% |
| Max. allowable working angle (lateral / longitudinal) | 1.5° / 3° |
| Controls | Proportional |
| Wheel driver | DC motor front drive |
| Multiple disc brakes | Dual front wheel |
| Tires | 230 mm x 80 mm |
| Battery | 2x12V/85 Ah |
| Charger | 24V/15 A |
| Weight | 900 kg |



* Working height is equal to Platform height plus 2 m.

** Climbing ability is suitable for driving on slopes; Refer to Operator Manual for slope level.

ACSL0607DC

Electric Driven Scissor Scissor-type Aerial Work Platform



Standard features

| | | | |
|-----------------------------|------------------------------|------------------------------------|----------------------------------|
| ◆ Proportional control | ◆ Extended platform | ◆ Folding guardrails platform | ◆ Self-lock gate on platform |
| ◆ Solid tire | ◆ Hour meter | ◆ Standard transport forklift hole | ◆ Safety maintenance support rod |
| ◆ Horn | ◆ Flashing beacon | ◆ Action beep | ◆ DC motor drive |
| ◆ Pothole protection device | ◆ Emergency descent system | ◆ Emergency stop button | ◆ Automatic brakes system |
| ◆ Tilt sensor with alarm | ◆ Charging protection system | ◆ Fault diagnosis system | ◆ Maintenance-free battery |

Options features

| | | | |
|------------------------------|---|--------------------------------------|------------------------|
| ◆ Air line to platform | ◆ AC power to platform | ◆ GPS tracking system | ◆ Platform work lights |
| ◆ Overload protection system | ◆ Lithium battery and management system | ◆ Intelligent interconnection system | |

ATLAS KOMPAKT GmbH
Stedinger Strasse 324, 27751 Delmenhorst, Germany
Tel.: +49 (0) 4221 491330; Fax: +49 (0) 4221 491331
E-mail: info@atlas-kompakt.com
www.atlas-kompakt.com

**ATLAS
KOMPAKT**