



# W13F Spare parts

P. de Heus en Zonen Greup B.V.  
Stougjesdijk 153  
3271 KB Mijnsheerenland  
The Netherlands  
Tel. + 31 (0) 186 612 333  
[info@eurotrac.nl](mailto:info@eurotrac.nl)

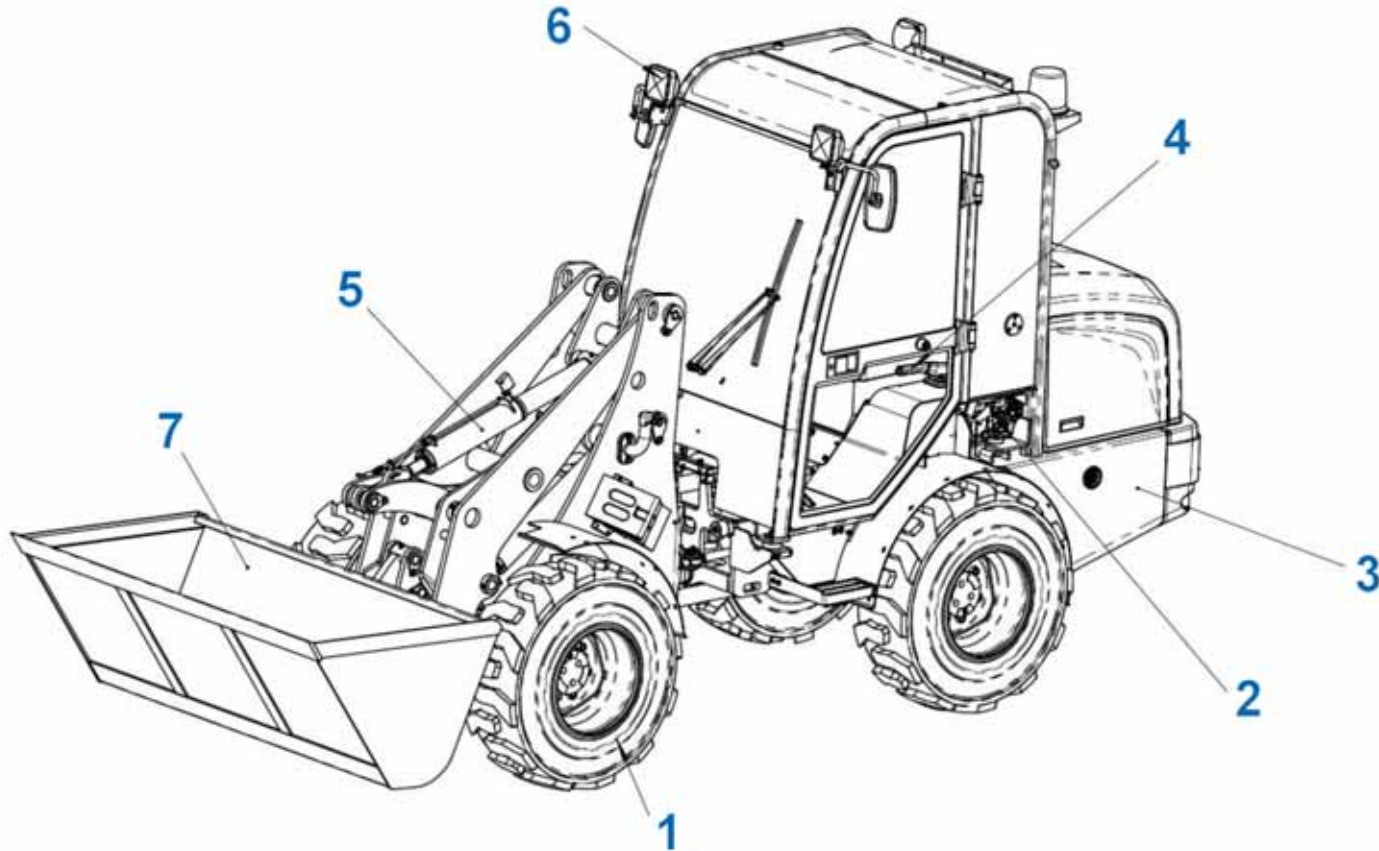
<b>1.</b>	<b>WHEEL LOADER ASSEMBLY .....</b>	<b>4</b>
1.1	Wheel loader installation .....	4
1.2	Labels .....	6
<b>2.</b>	<b>TRANSMISSION SYSTEM .....</b>	<b>8</b>
2.1	Transmission system general assembly .....	8
2.2	Tyre assembly 11.5/80-15.3 TL-16PR .....	10
2.3	Rear axle assembly .....	12
2.4	Axle shell components .....	14
2.5	Sleeving assembly (right) .....	16
2.6	Sleeving assembly (left) .....	18
2.7	Differential assembly .....	20
2.8	Wheel reducer assembly .....	22
2.9	Front axle assembly .....	24
2.10	Axle shell subassembly .....	26
<b>3.</b>	<b>POWER SYSTEM .....</b>	<b>28</b>
3.1	Power system mounting assembly .....	28
3.2	Engine .....	30
3.3	Exhaust system .....	32
3.4	Air inlet system .....	34
3.5	Cooling system .....	36
3.6	Fuel system .....	38
<b>4.</b>	<b>VEHICLE SYSTEM .....</b>	<b>40</b>
4.1	General view .....	40
4.2	Working device .....	42
4.3	Front chassis .....	44
4.4	Rear chassis .....	46
4.5	Rear bonnet .....	50
4.6	Cab mounting assembly I .....	52
4.7	Cab mounting assembly II .....	54

---

4.8	Right door assembly .....	56
4.9	Left door assembly .....	58
4.10	Rear window assembly .....	60
<b>5.</b>	<b>OPERATION SYSTEM .....</b>	<b>62</b>
5.1	Operation system assembly .....	62
5.2	Inching operate .....	64
5.3	Parking brake .....	66
<b>6.</b>	<b>HYDRAULIC SYSTEM .....</b>	<b>68</b>
<b>7.</b>	<b>ELECTRIC SYSTEM .....</b>	<b>72</b>
7.1	Electric system assemble chart .....	72
7.2	Instrument .....	76
7.3	Battery assemble assy .....	78
7.4	Handle assembly .....	80
<b>8.</b>	<b>ATTACHMENT .....</b>	<b>82</b>
8.1	Bucket assembly .....	82

## 1. WHEEL LOADER ASSEMBLY

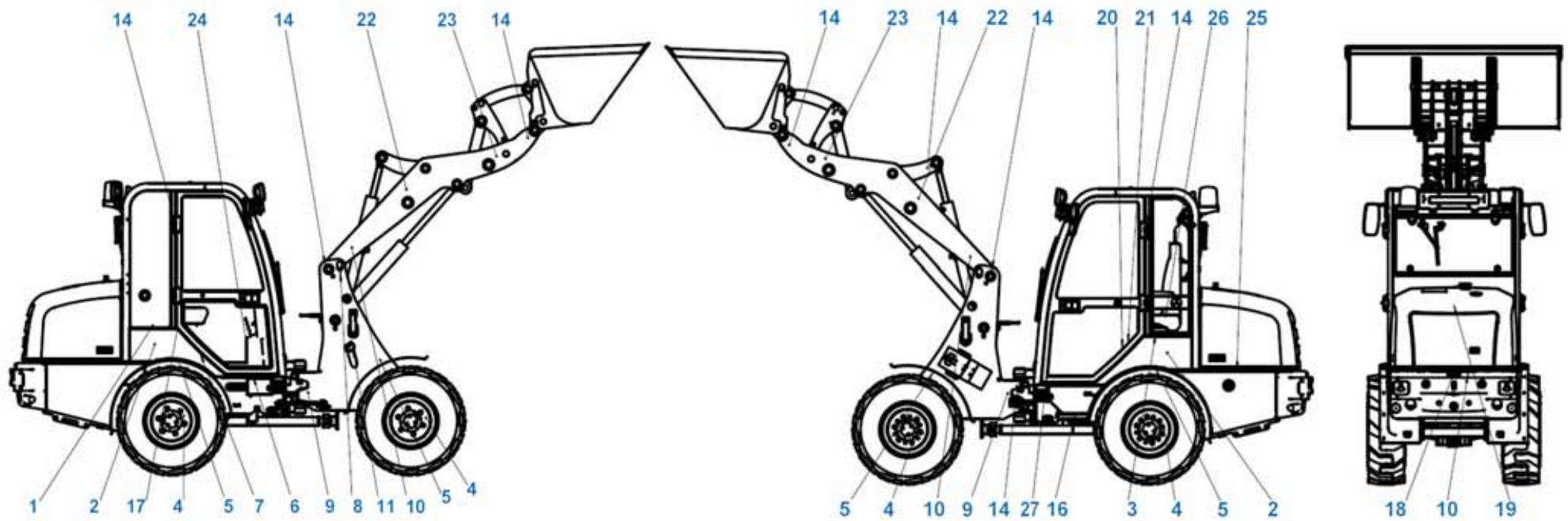
### 1.1 Wheel loader installation



**Wheel loader installation**

Item	Part number	Part name	Qty	Remark
1	850-100000-000	Transmission system	1	
2	850-300000-100	Power system	1	
3	850-400000-100	Vehicle system	1	
4	850-500000-100	Operation system	1	
5	850-600000-100	Hydraulic system	1	
6	850-700000-100	Electric system	1	
7	850-800000-000	Attachment	1	

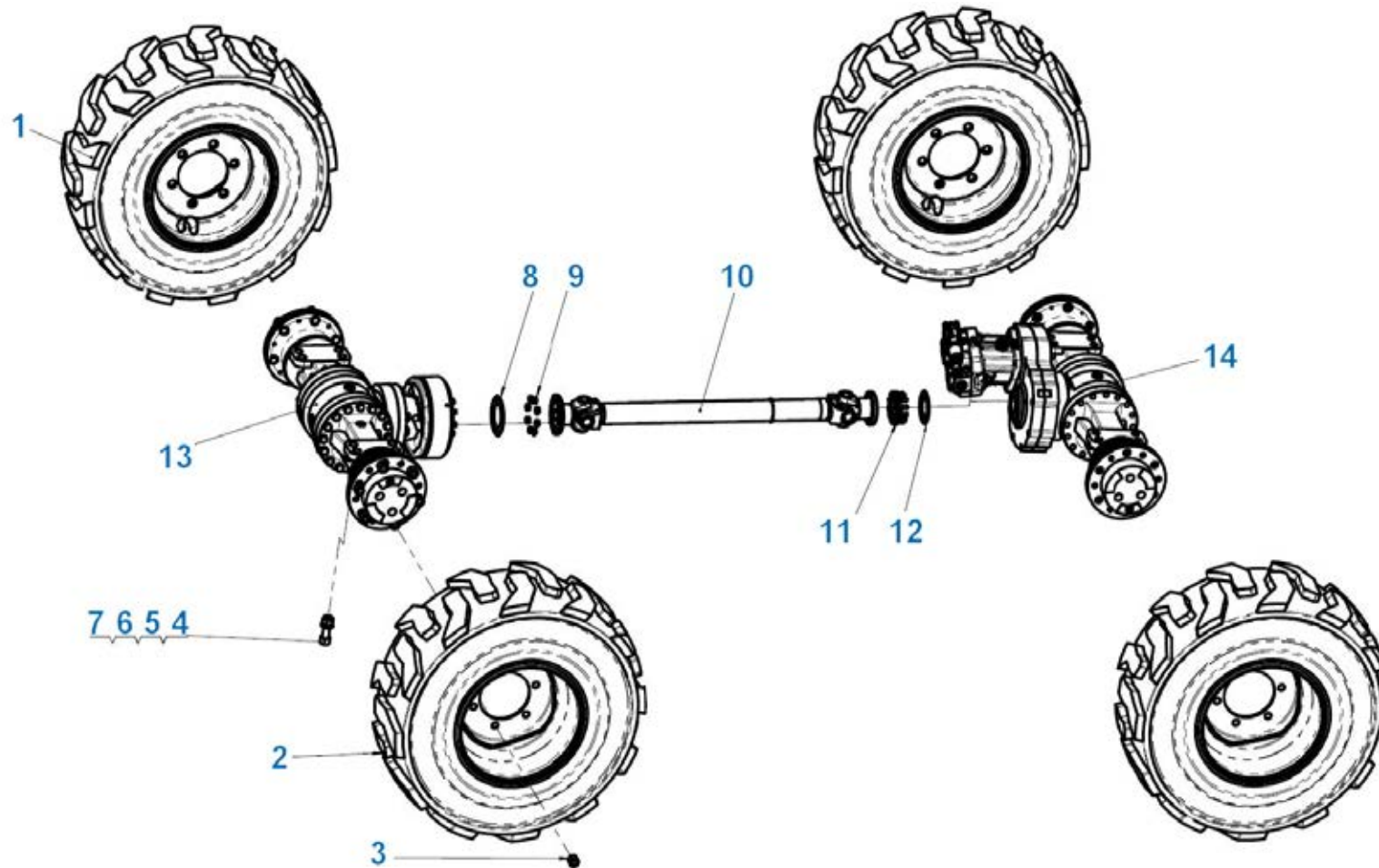
## 1.2 Labels



Labels				
Item	Part number	Part name	Qty	Remark
1	750610000038	Hydraulic operation reminding	1	
2	850-010010-G00	Model label	2	
	750610000092	Model label	2	
3	K30000 020033	Parking brake label (English)	1	Same as forklift
4	750610000046	Tyre label	4	
5	850-010015-G01	Tyre pressure label	4	
6	750610000094	Non-slip mat	1	
7	850-010011-G62	Vehicle nameplate	1	
8	750610000047	Crane label	2	
9	750610000044	Anti-pinch label	2	
10	750610000085	Pinch hand label	2	
11	750610000041	Fuel label	1	
12	750610000032	Radiator anti-scalded label	1	
13	750610000096	Cross wrists label	1	
14	750610000045	Fill grease label	10	
15	750610000034	Noise statement label	1	
16	750610000095	Non-slip mat	2	
17	750610000035	Reset button label	1	
18	750610000036	Transportation fixed point label	4	
19	1130-010012-G54	Manufacturer label	1	Optional
20	750610000040	Read instruction warning	1	
21	750610000039	Read maintenance manual warning	1	
22	750610000100	Manufacturer label	1	
23	750610000098	Anti-overwhelm label	2	
24	750610000042	Anti-rollover label	1	
25	750610000037	Hydraulic oil label	1	
26	750610000033	Belt up label	1	
27	750610000043	Anti-near label	1	

## 2. TRANSMISSION SYSTEM

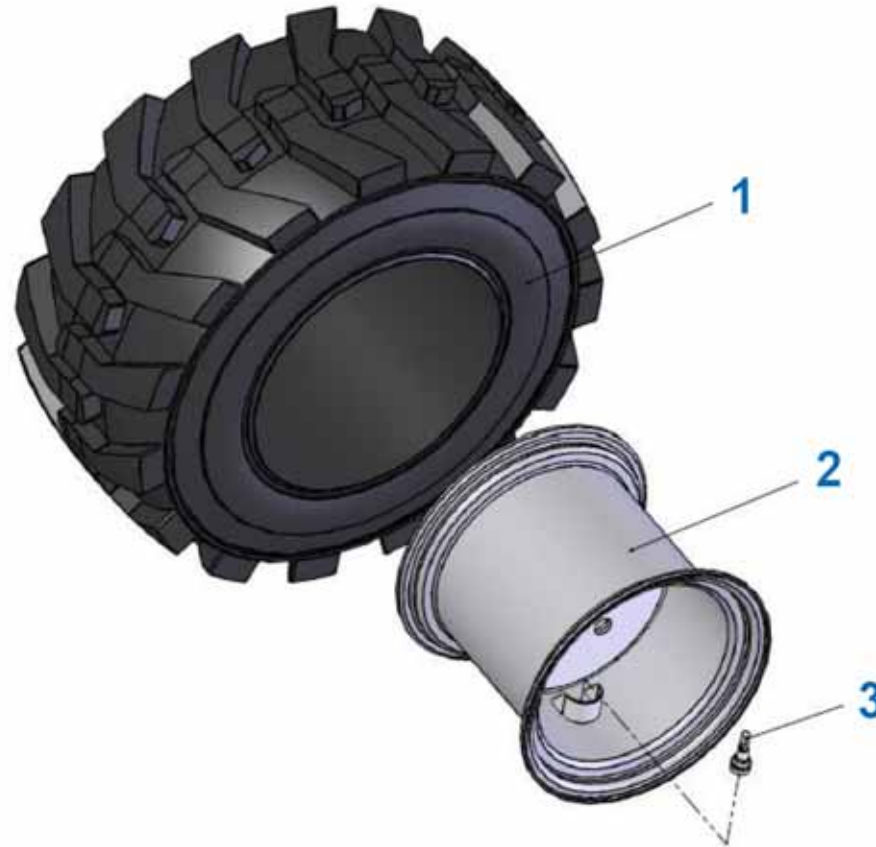
### 2.1 Transmission system general assembly





Transmission system general assembly				
Item	Part number	Part name	Qty	Remark
1	850-181200-G01	Tyre (right) 11.5/80-15.3 TL-16PR	2	
2	850-181200-G02	Tyre (left) 11.5/80-15.3 TL-16PR	2	
3	1230-102001-G00	Rim nut M18x1.5-8.8	24	
4	000701 200651	Hexagon head bolt M20x65-12.9	16	
5	000093 000201	Spring washer20	16	
6	000971 000201	Gasket 20	16	
7	006170 020001	Hexagonal nuts M20-12.9	16	
8	850-100004-000	Transmission front subplate	1	
10	850-101000-000	Transmission axle assembly	1	
11	850-100001-000	Reamer bolt M8	12	
12	850-100005-000	Transmission rear subplate	1	
13	850-120000-000	Front axle assembly	1	
14	850-110000-000	Rear axle assembly	1	

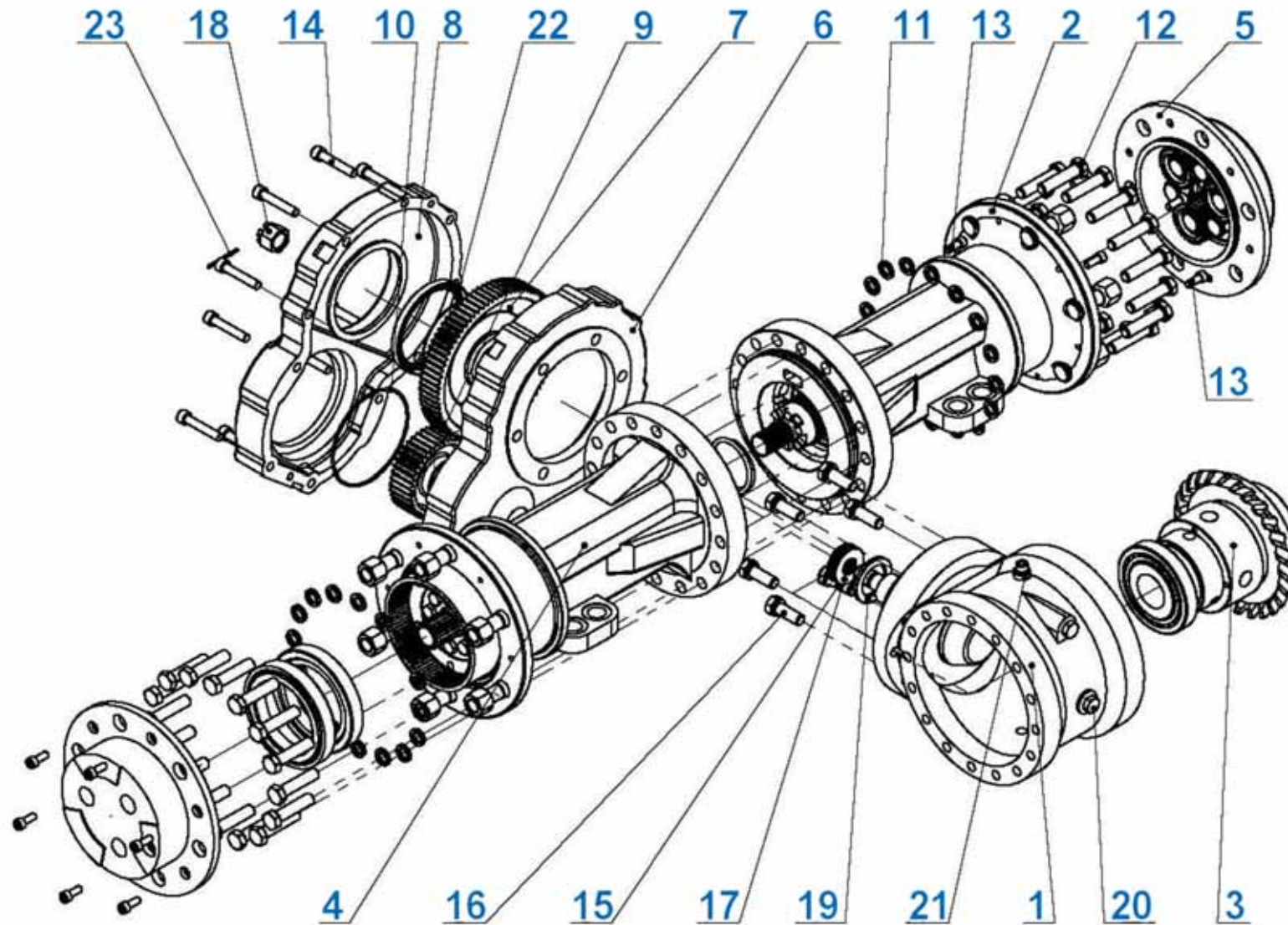
## 2.2 Tyre assembly 11.5/80-15.3 TL-16PR



**Tyre assembly 11.5/80-15.3 TL-16PR**

Item	Part number	Part name	Qty	Remark
1	11.5/80-15.3 TL-16PR	Tyre	4	
2	850-181100-G00	Rim component	4	
3	1230-181001-G00	Valve core $\phi$ 15.7 (TR-CH3)	8	

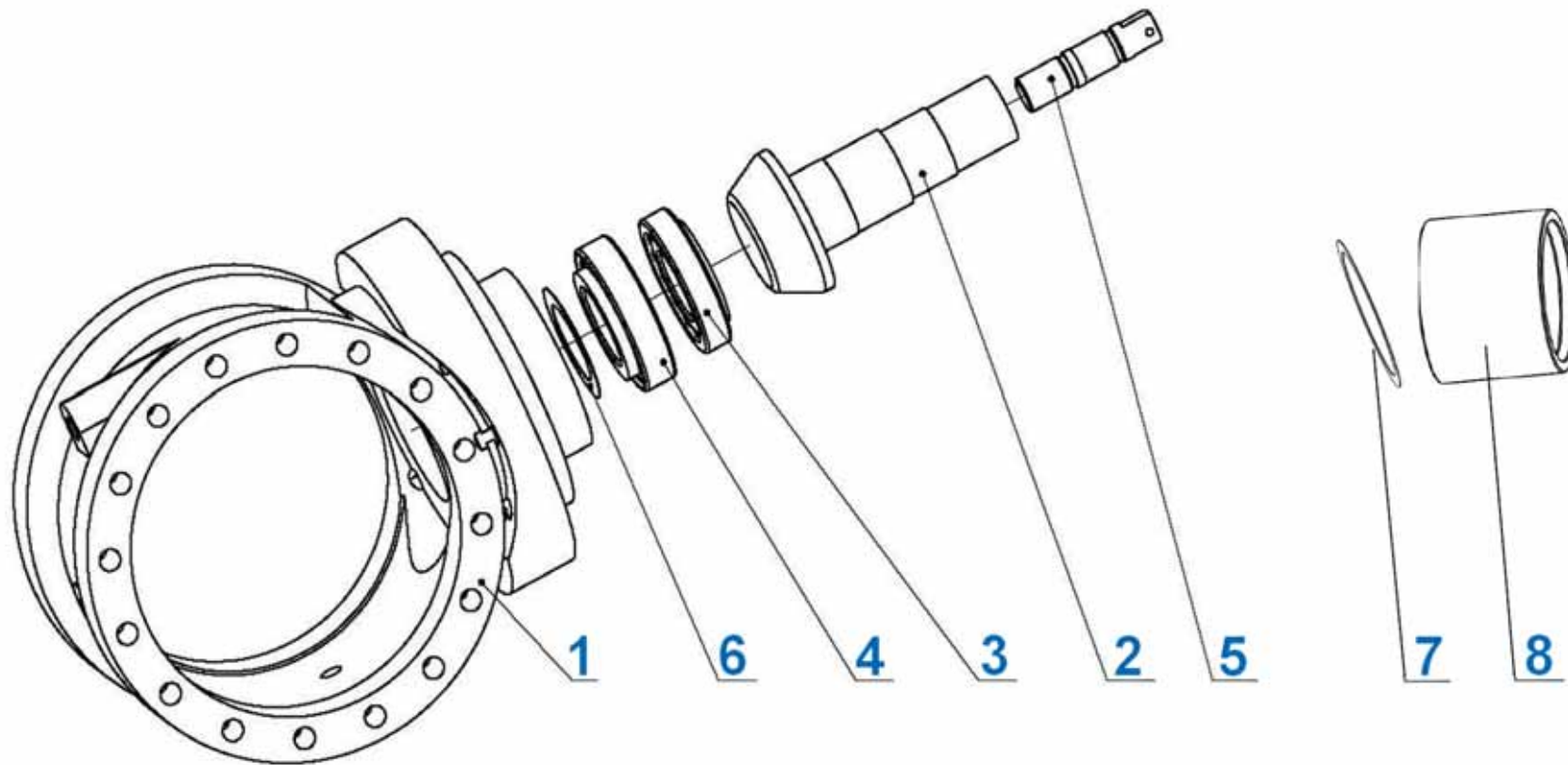
## 2.3 Rear axle assembly



**Rear axle assembly**

Item	Part number	Part name	Qty	Remark
1	850-112000-000	Axle shell components	1	
2	850-114000-00	Sleeving assembly (right)	1	
3	850-111000-000	Differential assembly	12	
4	850-113000-000	Sleeving assembly (left)	1	
5	850-115000-010	Wheel hub reducer	2	
6	850-110001-000	Tank 2	1	
7	850-110004-G00	Bull gear	1	
8	850-110002-000	Tank 1	1	
9	850-110003-G00	Pinion	1	
10	GB3452.1-92	O-ring 122x2.65	1	
11	GB/T93-1987	Retain washer 14	39	
12	GB/T5782-2000	Hexagon bolt M14x60-class10.9	32	
13	000701 080201	Hexagon socket cap head screw M8x20-8.8	12	
14	000701 100553	Hexagon socket cap head screw M10x5	10	
15	GB27-88	Hexagon hinged bolt M14x40	1	
16	GB/T5783-2000	hexagon socket bolt M14x40	6	
17	850-110006-000	Gland	1	
18	GB/T9458-1982	Hexagon slotted nut M20x1.5	1	
19	850-110007-000	Washer	1	
20	001000 014151	Plug screw M14x1.5	2	
21	1230-110019-G10	Plug screw M14x1.5	1	
22	120X150X13	Rotary lip seal	1	
23	GT00091-032040-00	Cotter 3.2x40	1	

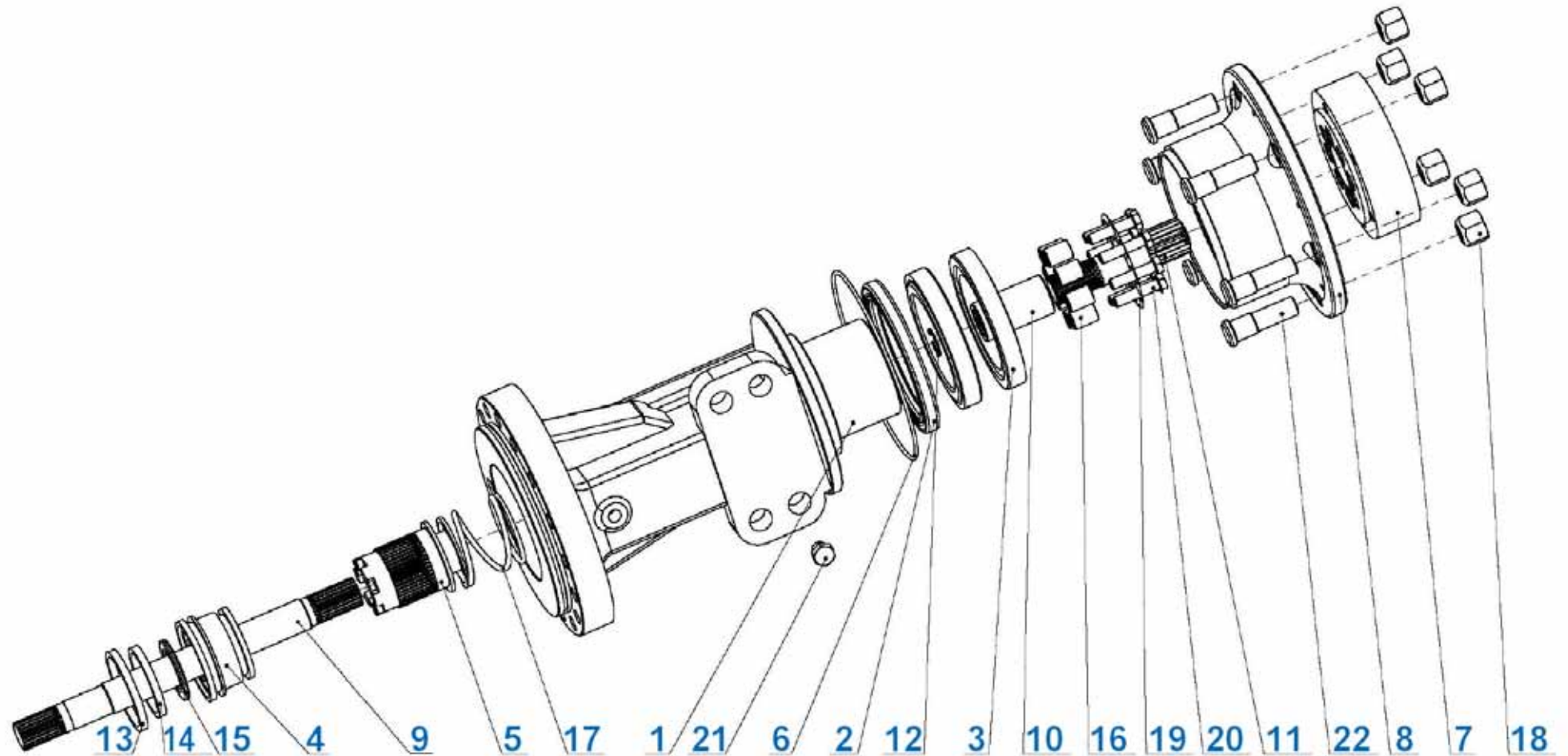
## 2.4 Axle shell components



**Axle shell components**

Item	Part number	Part name	Qty	Remark
1	850-112001-000	Differential shell	1	
2	850-112002-G00	Spiral bevel gear	1	
3	GB/T297-94	Tapered roller bearing 30208	1	
4	GB/297-94	Bearing 32209	1	
5	850-112003-000	Fasten bolt	1	
6	850-121004-000	Spacer for driving gear and driven gear	1	
7	850-111013-000	Washer	1	Adjust the quantity according to the actual situation
8	850-111014-000	Sleeve	1	

## 2.5 Sleeving assembly (right)

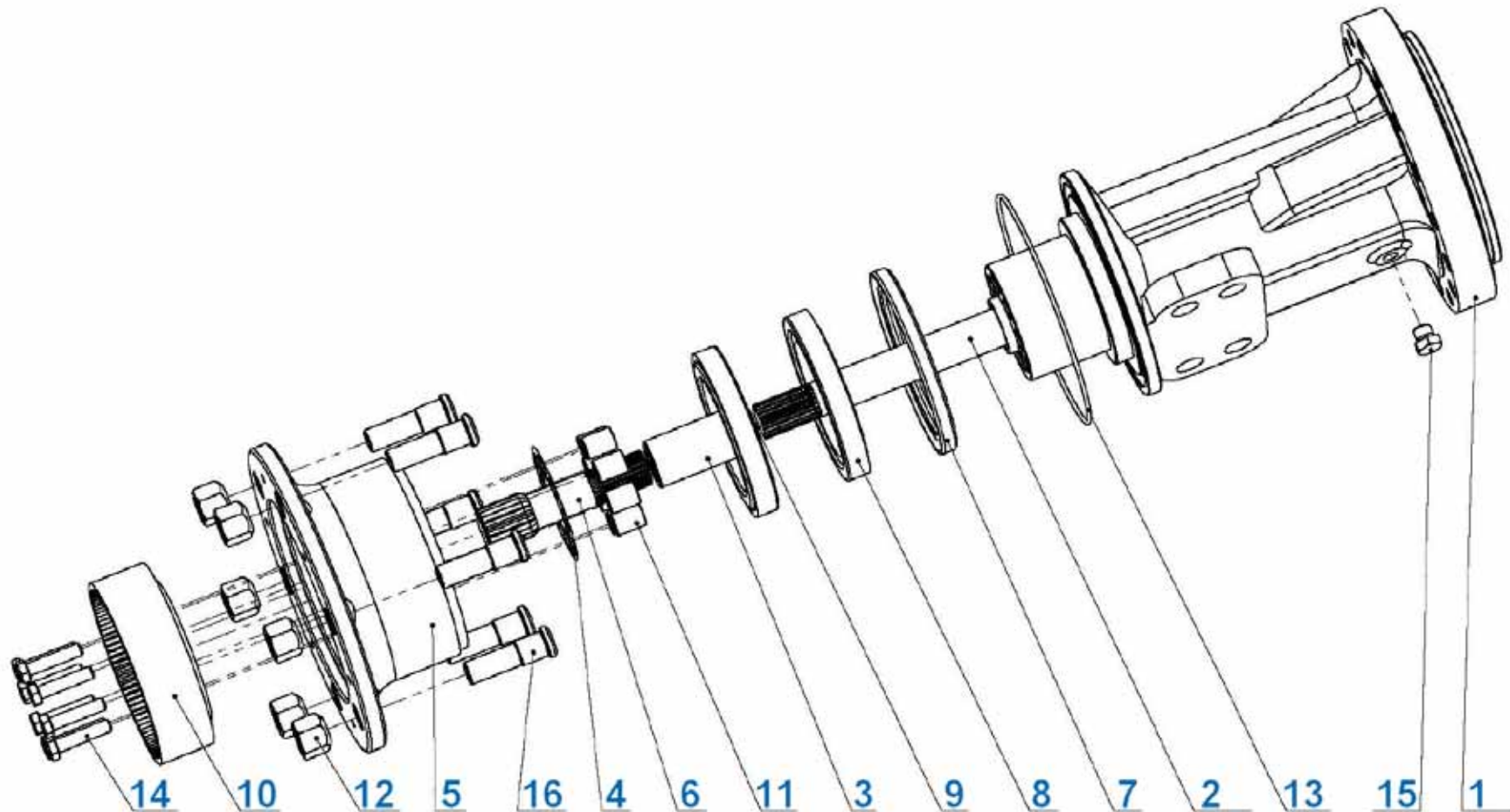




**Sleeving assembly (right)**

Item	Part number	Part name	Qty	Remark
1	850-113001-000	Sleeving	1	
2	GB/T13871. 1-2007	B75 oil seal	1	After April 6, 2019
3	JL819349	Bearing	2	
4	850-114001-000	Piston	1	
5	850-114002-G00	Synchronizer gear	1	
6	GT34528-00725P30-00	O-ring 183.8x3.0	1	
7	850-113010-G00	Annular gear	1	
8	850-113009-000	Bearing block	1	
9	850-113004-G00	Transmission axle	1	
10	850-113005-G00	Spline sleeve	1	
11	850-113006-G00	Central wheel axis	1	
12	GB893.1-8	Circlip for 6 holes model A 25	1	
13	Q04335	Star seal 69.22x5.33	1	
14	Q04332	Star seal 59.69x5.33	1	
15	GB4605-84	Bearing 889108	2	
16	850-113007-000	Locating bearing	8	
17	850-114003-G00	Differential lock spring	1	
18	1230-110020-G10	Spherical nut	6	
19	850-113008-000	Wheel hub bearing adjusting gasket	1	
20	GB/T5782-2000	Bolt M10x45-class 10.9	8	
21	001000 014151	Plug screw M14x1.5	1	
22	850-113011-G00	Tyre bolt	6	

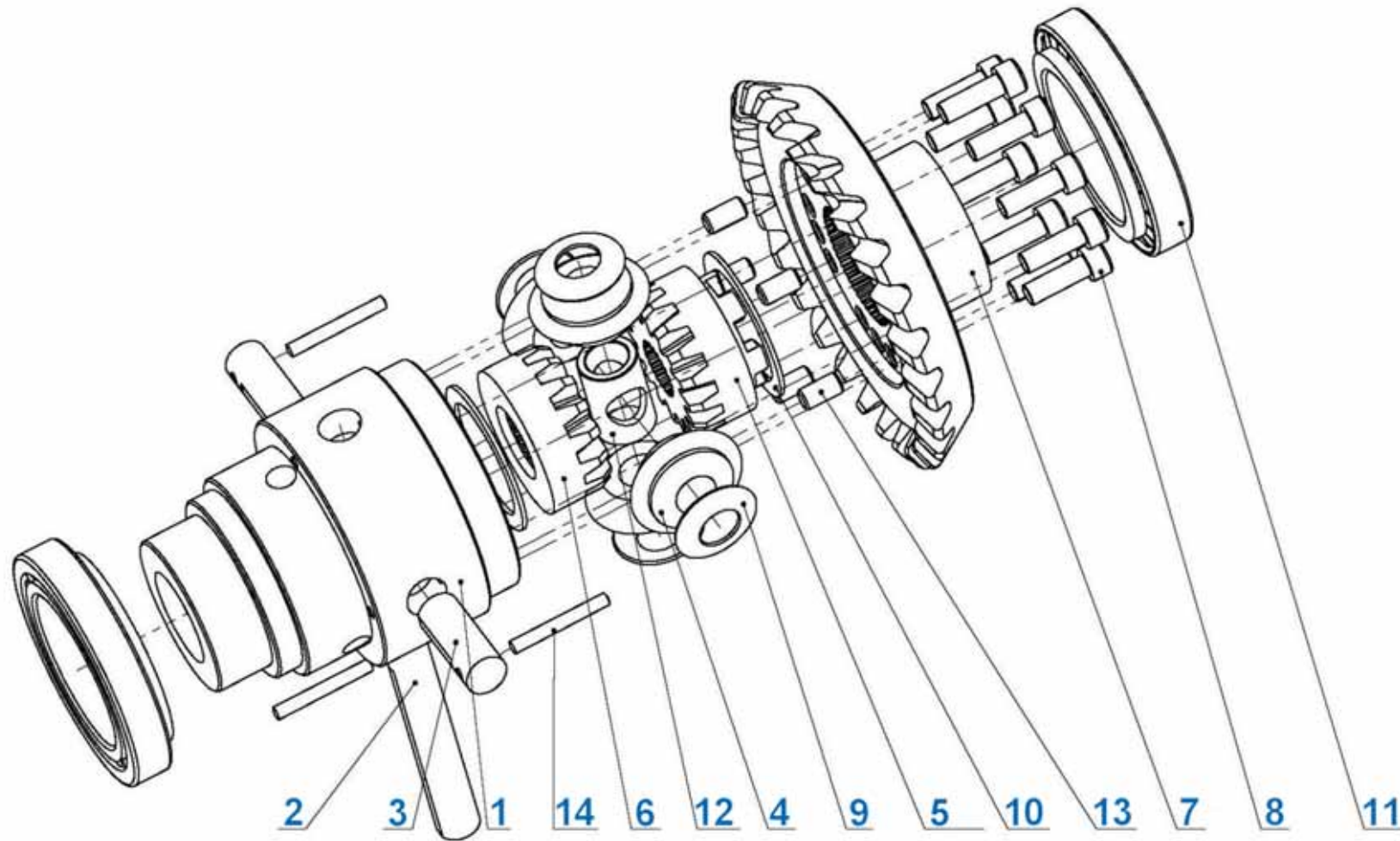
## 2.6 Sleeving assembly (left)



**Sleeving assembly (left)**

Item	Part number	Part name	Qty	Remark
1	850-113001-000	Sleeving	1	
2	850-113004-G00	Transmission axle	1	
3	850-113005-G00	Spline housing	1	
4	850-113008-000	Wheel hub bearing adjusting gasket	1	
5	850-113009-000	Bearing block	1	
6	850-113006-G00	Central wheel axis	1	
7	SD121.8X150X13	Seal	1	Before April 6th, 2019
	GB/T13871. 1-2007	B75 seal	1	After April 6th, 2019
8	JL819349	Bearing	2	
9	GB893.1-86	Circlip for hole model A type 25	1	
10	850-113010-G00	Annular gear	1	
11	850-113007-000	Locating bearing	8	
12	1230-110020-G10	Spherical nut	6	
13	GB3452.1-92	O-ring 183.8x3.0	1	
14	GB/T5782-2000	Hexagon bolt M10x45-class 10.9	8	
15	1230-110019-G10	Plug screw M14x1.5	1	
16	850-113011-G00	Tyre bolt	6	

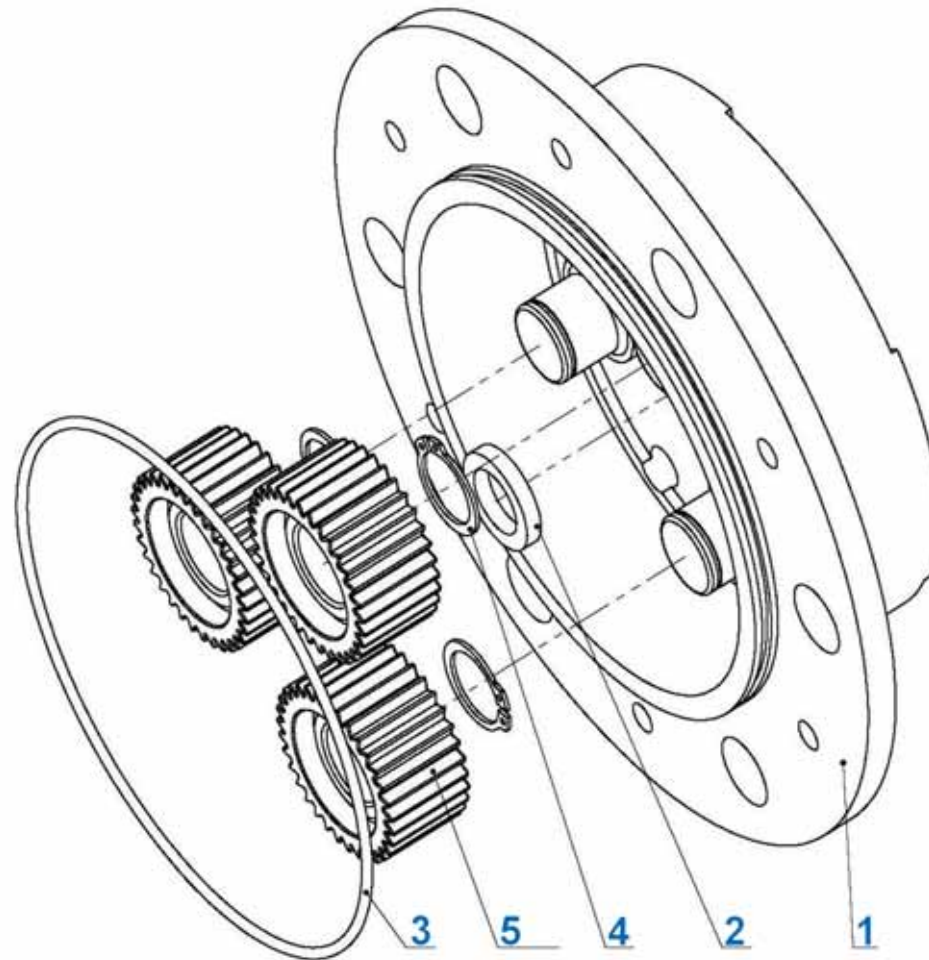
## 2.7 Differential assembly



**Differential assembly**

Item	Part number	Part name	Qty	Remark
1	850-111001-000	Outer shell	1	
2	850-111004-000	Long pin	1	
3	850-111010-000	Short pin	2	
4	850-111005-G00	Planet gear	4	
5	850-111006-G00	Shaft gear II	1	
6	850-111003-G00	Shaft gear I	1	
7	850-111008-G00	Differential gear	1	
8	000701 100301	Hexagon socket cap head screw M10x30-8.8	10	
9	850-111007-G00	Planet gear thrust washer	4	
10	850-111002-000	Shaft gear thrust washer	2	
11	GB/T297-94	Tapered roller bearing 32015	2	
12	850-111009-G00	Coupling sleeve	1	
13	850-111011-000	Differential gear locating pin	5	
14	GB/T117-2000	Taper pin model A 6x50	3	

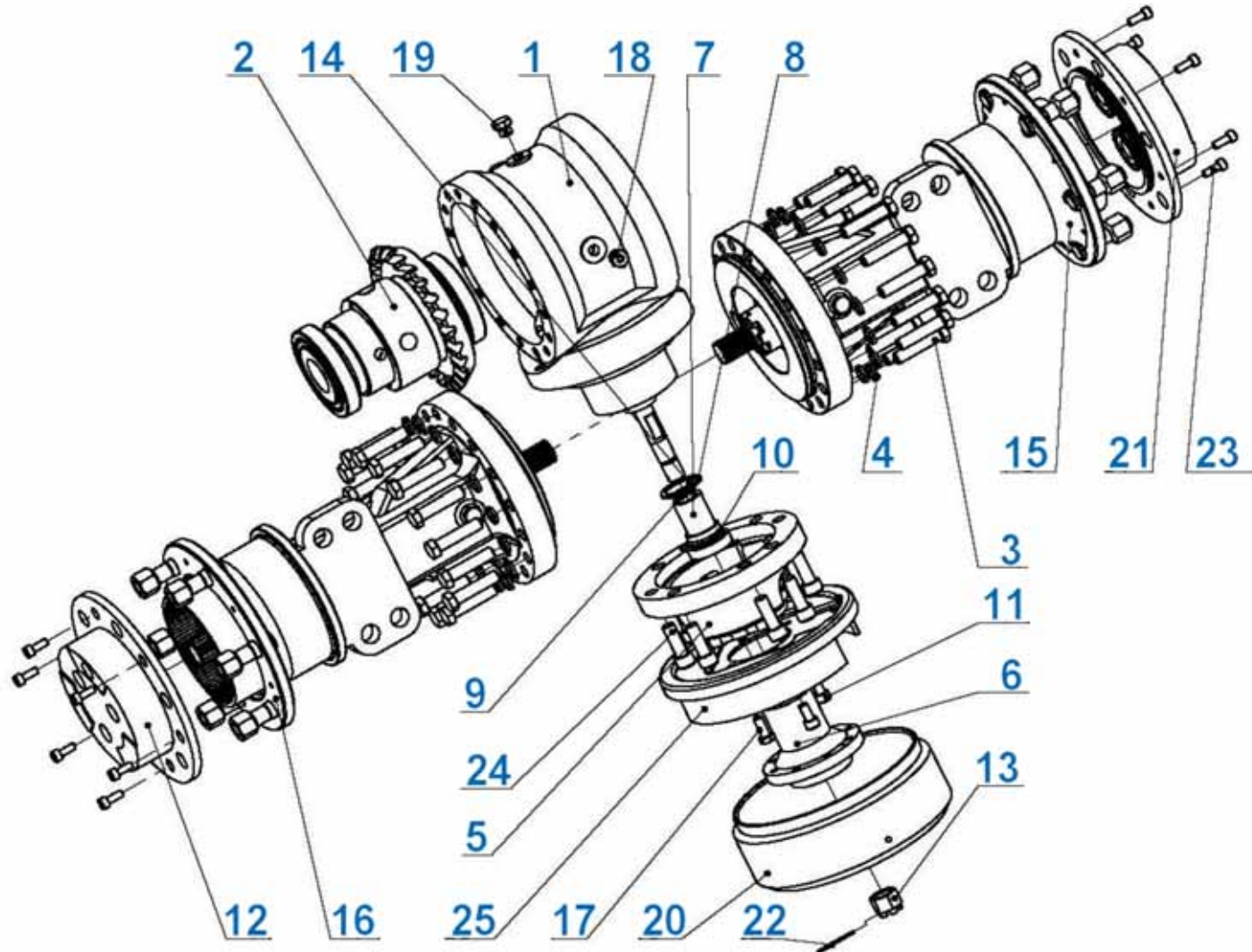
## 2.8 Wheel reducer assembly



**Wheel reducer assembly**

Item	Part number	Part name	Qty	Remark
1	850-115001-G00	Planet carrier	1	
2	850-115002-000	Shaft copper shim	1	
3	GB3452.1-92	O-ring 165x3.1	1	
4	GB894.1-86	Circlip for shaft model A 24	3	
5	850-115100-G00	Planet gear assembly	3	

## 2.9 Front axle assembly

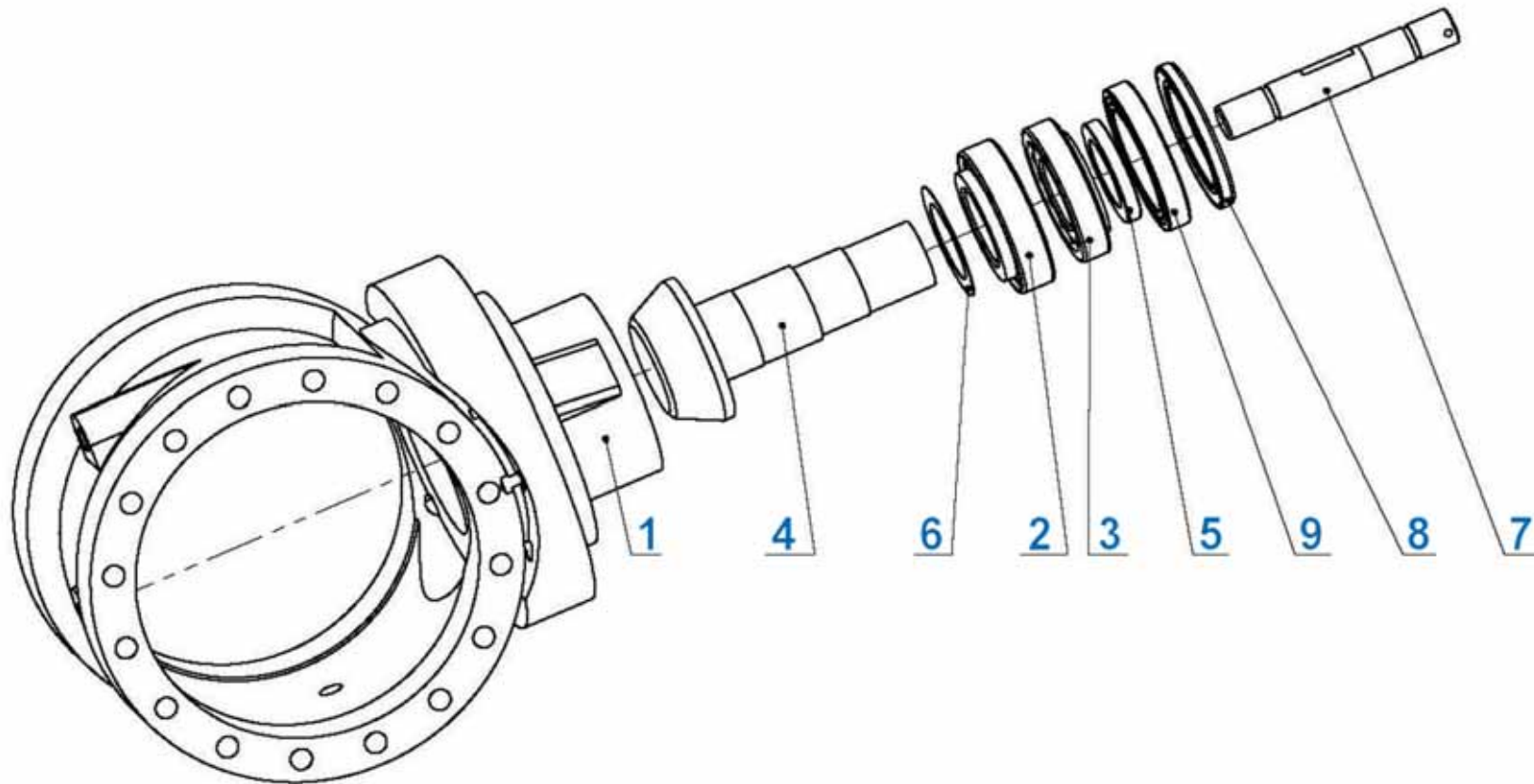




**Front axle assembly**

Item	Part number	Part name	Qty	Remark
1	850-121000-000	Axle shell parts assembly	1	
2	850-111000-000	Differential assembly	1	
3	GB/T5782-2000	Hexagon bolt M14x60-class 10.9	32	
4	GB/T93-1987	Retain washer 14	32	
5	850-120001-000	Connecting base	1	
6	850-120002-G00	Connecting sleeve	1	
7	850-120003-000	Pressing sleeve	1	
8	850-120004-000	Gear shaft locking gasket	1	
9	-	O-ring 20x2.65	1	
10	-	O-ring 34.5x2.65	1	
11	GT070P1-010020-01	Hexagon socket head screw M10x20-10.9	2	
12	850-115000-000	Wheel hub reducer	1	
13	GB/T9458-1982	Hexagon slotted nut M20x1.5	1	
14	-	-	-	
15	850-114000-000	Sleeving assembly (right)	1	
16	850-113000-000	Sleeving assembly (left)	1	
17	850-120005-G00	Fitting bolt M10x20-class 10.9	2	
18	1230-110019-G10	Plug screw M14x1.5	1	
19	001000 014151	Plug screw M14x1.5	2	
20	1230-120002-G20	Drum brake	1	
21	850-115000-000	Wheel hub reducer	1	
22	GT00091-032040-00	Cotter 3.2x40	1	
23	000701 080201	M8x20-8.8	12	
24	GT070P1-014035-00	Hexagon socket head screws M14x35-8.8	8	
25	1230-121000-G20	Brake assembly	1	

## 2.10 Axle shell subassembly

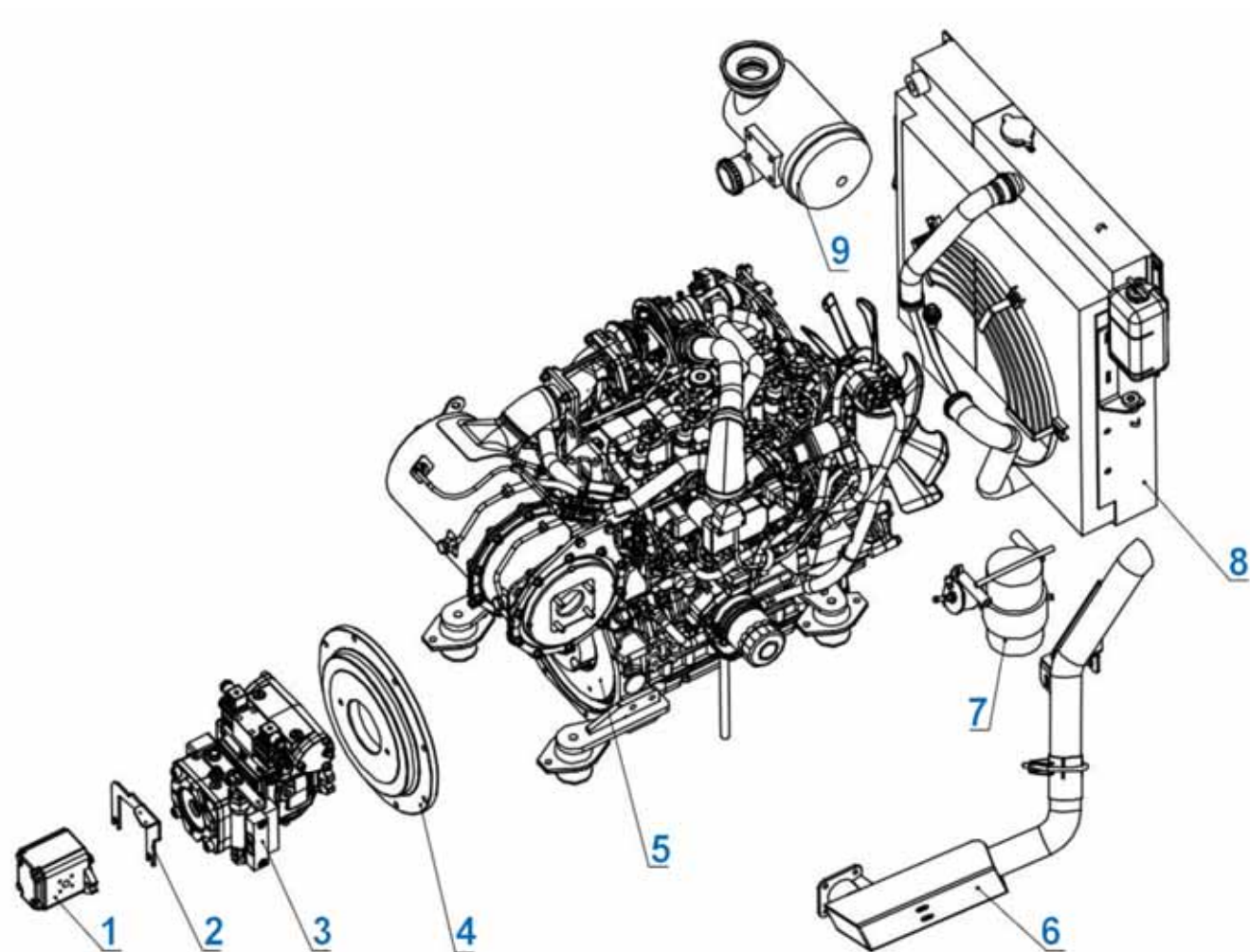


**Axle shell subassembly**

Item	Part number	Part name	Qty	Remark
1	850-121001-000	Differential shell	1	
2	GB/297-94	Bearing 32209	1	
3	GB/T297-94	Tapered roller bearing 30208	1	
4	850-112002-G00	Spiral bevel	1	
5	850-121003-000	Washer	1	
6	850-121004-000	Spacer for driving gear and driven gear	1	
7	850-121005-000	Sleeve connection fasten bolt	1	
8	GB/T13871.1-2007	Lip seal type B 58	1	
9	GB/T276-94	Deep groove ball bearing 61912-2Z	1	

### 3. POWER SYSTEM

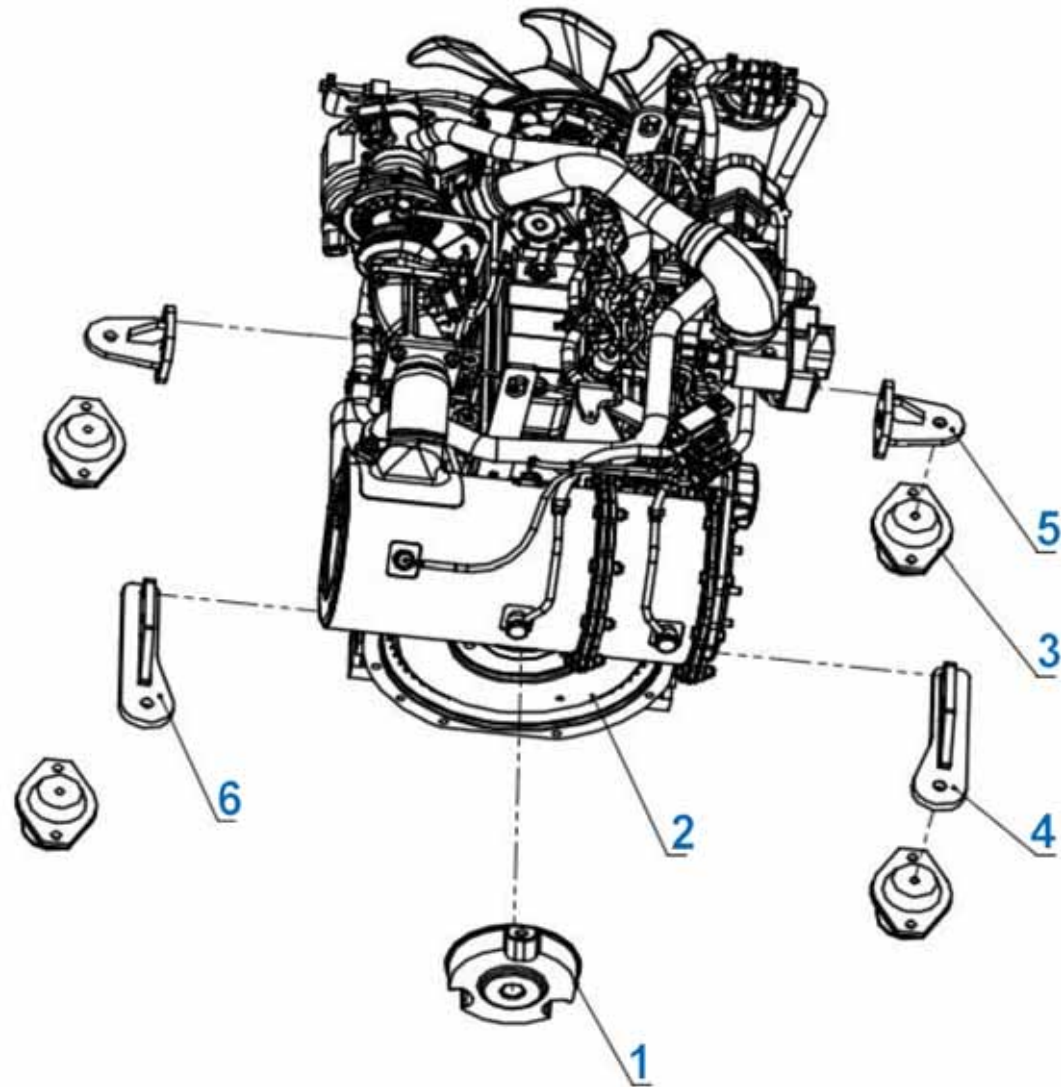
#### 3.1 Power system mounting assembly



**Power system mounting assembly**

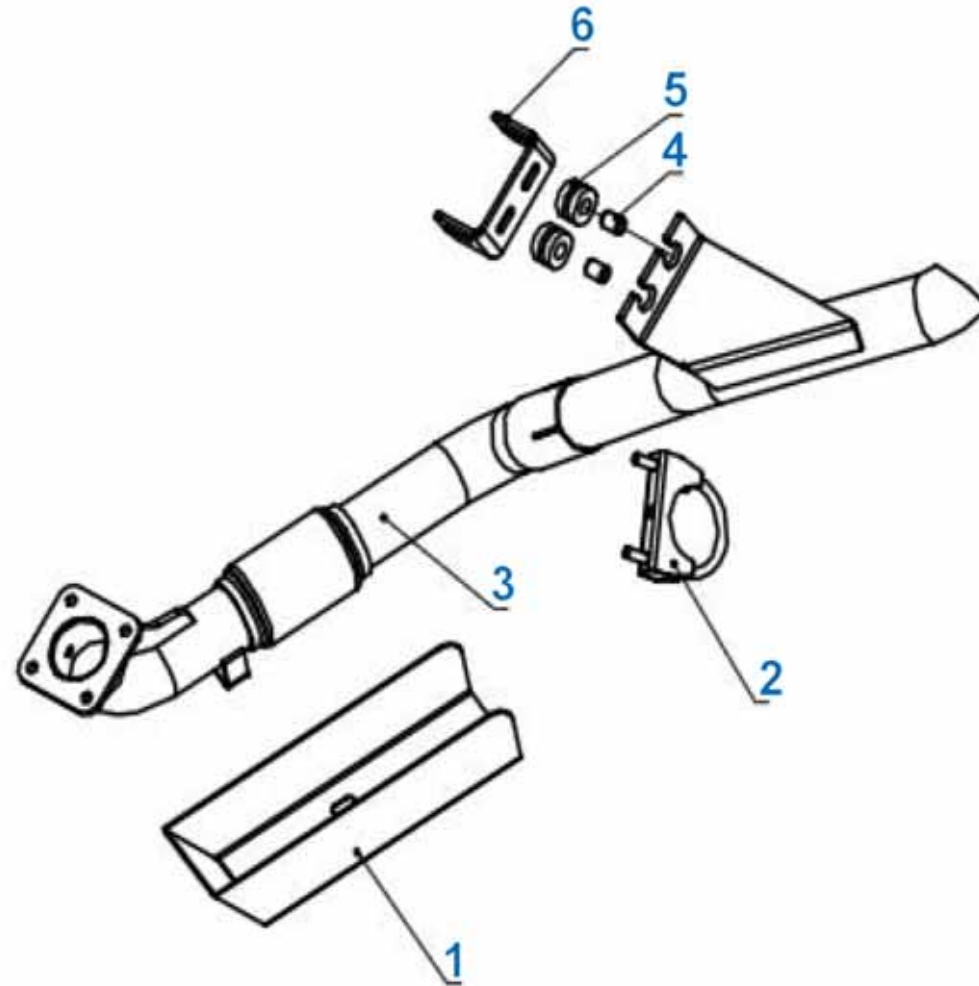
Item	Part number	Part name	Qty	Remark
1	850-303000-G00	Gear pump CBWKA-F420	1	
2	850-300007-000	Travel switch bracket	1	
3	850-302000-G00	Plunger pump	1	
4	850-300200-000	Coupling welding assembly	1	
5	850-310000-100	Yanmar 4TNV86 engine	1	
6	850-320000-100	Exhaust system (Yanmar)	1	
7	850-350000-100	Fuel system (Yanmar)	1	
8	850-340100-G10	Radiator assembly (Yanmar E5)	1	
9	850-330000-100	Air inlet system (Yanmar)	1	

## 3.2 Engine



Engine				
Item	Part number	Part name	Qty	Remark
1	850-100700-G10	Coupling	1	
2	850-310100-G10	Yanmar 4TNV86CT-PSY engine	1	
3	850-310600-G00	Engine cushion	4	
4	850-310200-100	Left front engine foot assembly	1	
5	850-310300-100	Rear engine foot assembly	2	
6	850-310400-100	Right front engine foot assembly	1	

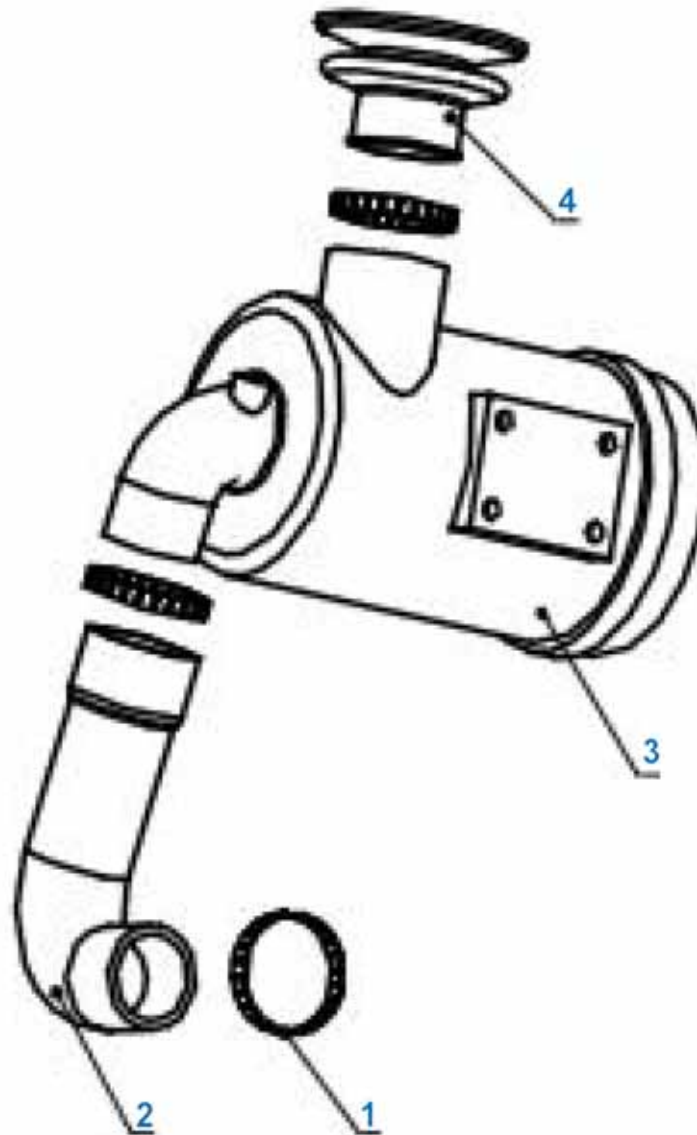
### 3.3 Exhaust system





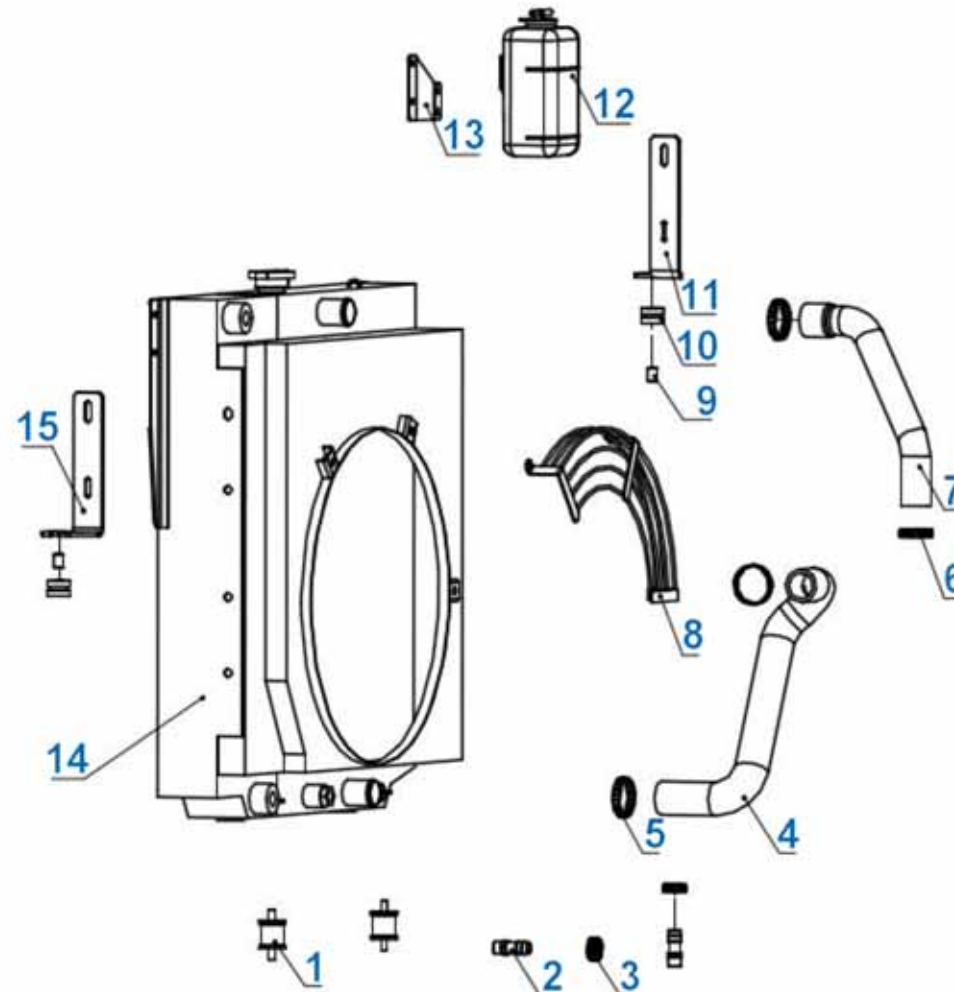
Exhaust system				
Item	Part number	Part name	Qty	Remark
1	850-320002-100	Exhaust pipe heat shield	1	
2	K45000 335000	Muffler clamp	1	
3	850-320100-G10	Exhaust pipe assembly	1	
4	1130-340007-G00	Sleeve	2	
5	1130-340006-G00	Upper radiator cushion	2	
6	850-320001-100	Shock absorber mounting base	1	

### 3.4 Air inlet system



Air inlet system				
Item	Part number	Part name	Qty	Remark
1	008870 054062	Clamp 54-62	3	
2	850-300005-G10	Air inlet pipe (Yanmar)	1	
3	850-300500-G10	Air filter assembly (Yanmar)	1	
4	850-300005-G00	Air inlet pipe of air filter	1	

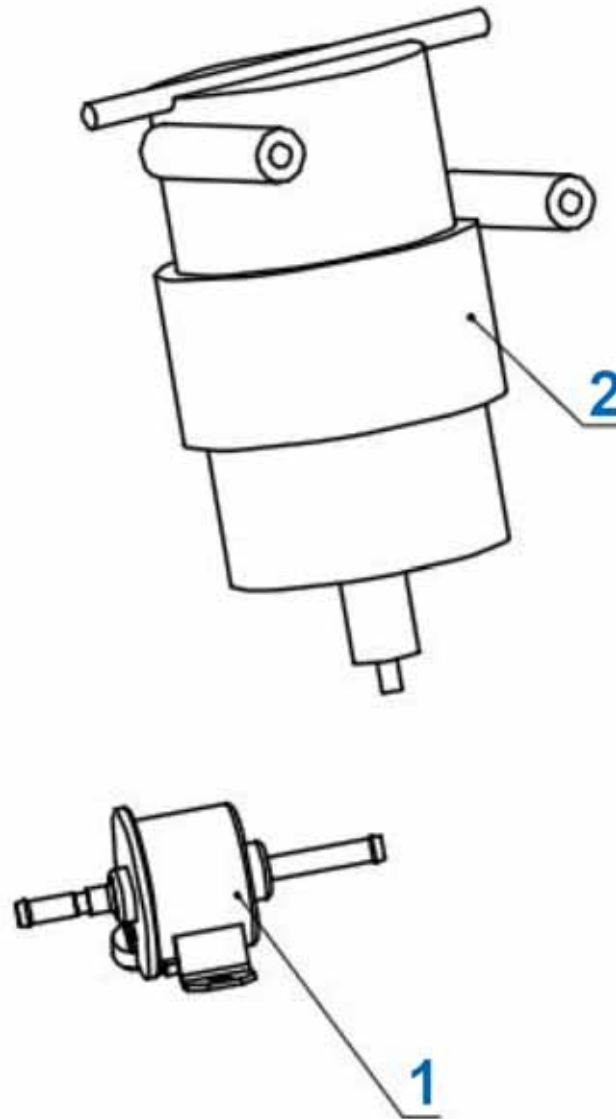
### 3.5 Cooling system



**Cooling system**

Item	Part number	Part name	Qty	Remark
1	1130-340001-G00	Shock pad	2	
2	850-340006-100	Warm pipe joint	2	
3	008870 021038	Hose clamp 21-38	2	
4	850-340001-G10	Drain pipe (Yanmar)	1	
5	008870 044049	Hose clamp 49	3	
6	008870 035040	Hose clamp 40	1	
7	850-340002-G10	Upper pipe (Yanmar)	1	
8	850-340300-100	Radiator fan cover assembly (Yanmar)	1	
9	1130-340007-G00	Sleeve	2	
10	750602000012	Upper radiator cushion	2	
11	850-340004-100	Radiator left bracket	1	
12	750203000007	Vice radiator assembly	1	
13	850-300003-100	Vice radiator installation plate	1	
14	850-340005-100	Radiator right bracket	1	

### 3.6 Fuel system

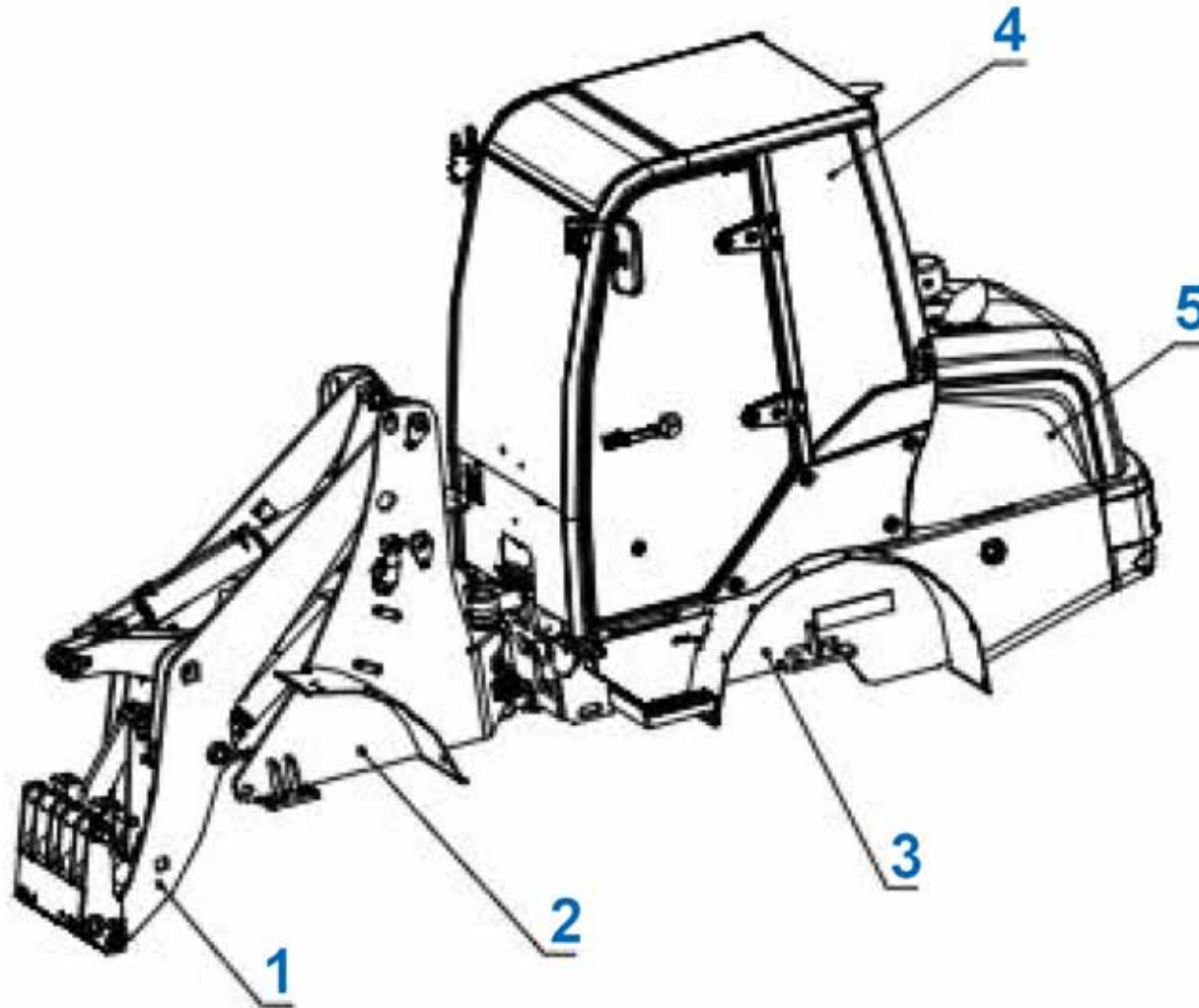


---

Fuel system				
Item	Part number	Part name	Qty	Remark
1	850-350002-100	Electronic fuel pump (Feed pump,129612-52100)	1	
2	850-350001-100	Oil-water separator (Yanmar) 129E22-55710	1	

## 4. VEHICLE SYSTEM

### 4.1 General view

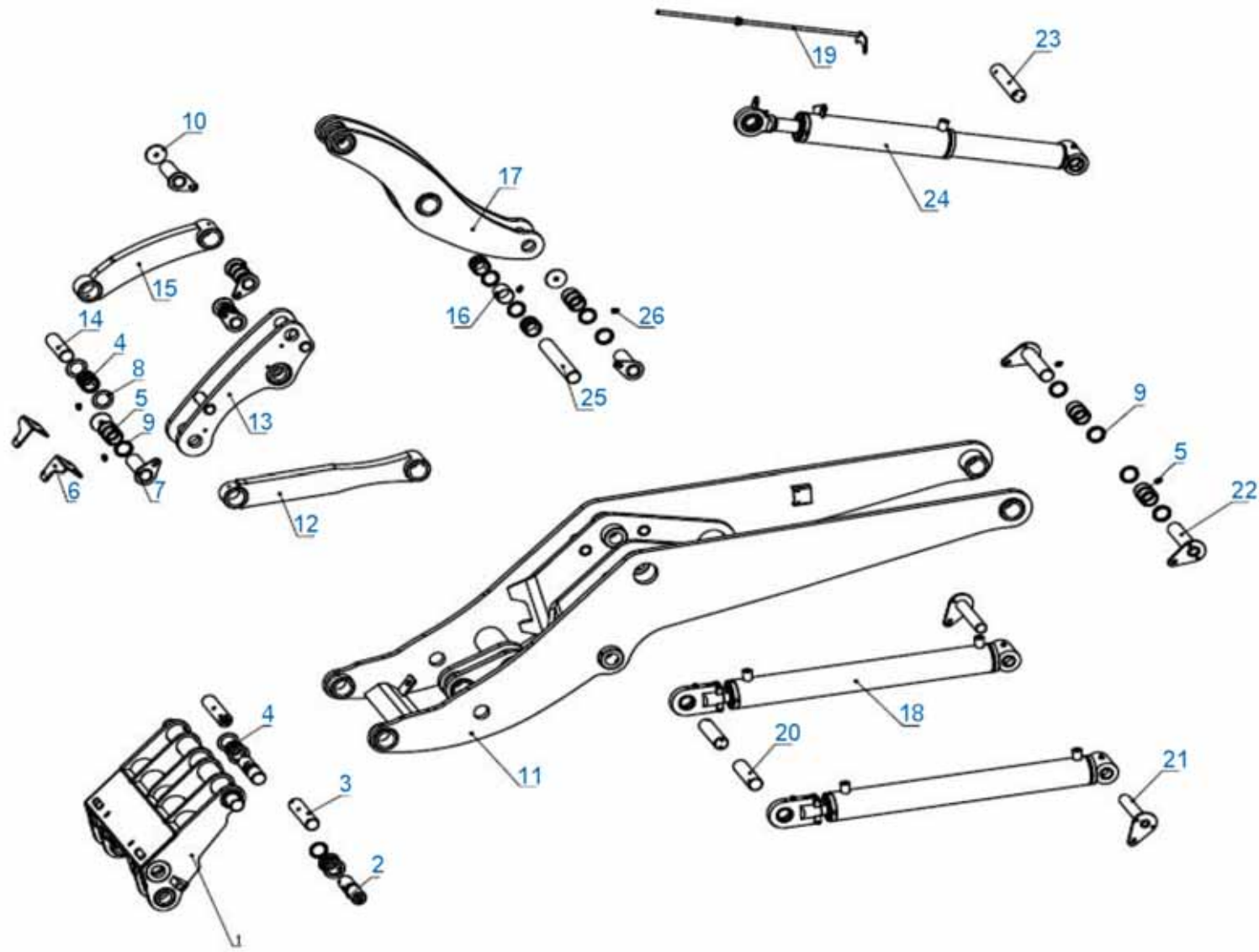




**General view**

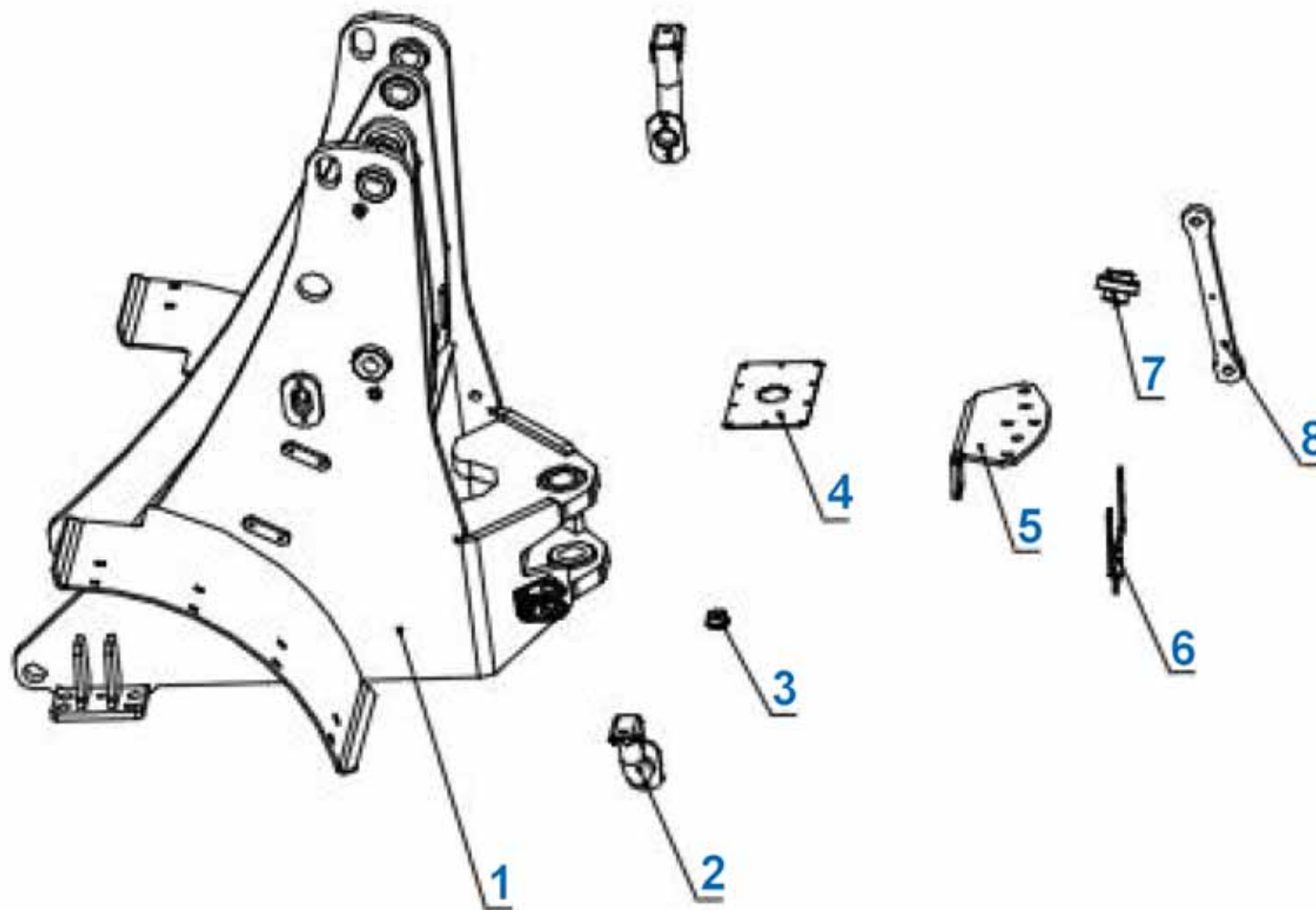
Item	Part number	Part name	Qty	Remark
1	850-430000-000	Working device assembly	1	
2	850-410000-000	Front chassis	1	
3	850-420000-100	Rear chassis (Yanmar)	1	
4	850-470000-300	Cab assembly	1	
5	850-430000-000	Rear bonnet assembly (Yanmar)	1	

## 4.2 Working device



Working device				
Item	Part number	Part name	Qty	Remark
1	850-432000-000	Hook assembly	1	
2	850-400005-000	The arm rack connecting pin shaft	2	
3	850-400012-000	Rack lock pin	2	
4	-	Axle sleeve 40x50x41.6	6	
5	-	Axle sleeve 40x50x70	5	
6	850-432011-000	Quick connector mounting plate	2	
7	850-430202-000	Swing arm pin shaft	5	
8	850-430001-000	Gasket $\Phi 60 \times \Phi 41$	6	
9	-	Dust ring-G00	20	
10	1130-400012-000	Gasket	1	
11	850-431000-001	Arm assembly	1	
12	850-435000-000	Rear connecting rod assembly	1	
13	850-434000-000	Front rocker arm assembly	1	
14	850-400004-000	Hook tilting pin	1	
15	850-436000-000	Front connecting rod assembly	1	
16	-	Sleeve	1	
17	850-433000-000	Crank arm	1	
18	850-436000-G02	Lifting cylinder	2	
19	850-480000-000	Cylinder scale	1	
20	850-400003-000	Arm lifting pin shaft	2	
21	850-430301-000	Lifting cylinder pin shaft assembly	2	
22	850-430401-000	Movable arm pin shaft assembly	2	
23	850-400001-000	Frame tilting cylinder pin	1	
24	850-437000-G01	Tilt cylinder assembly	1	
25	850-400002-000	Crank pin	1	
26	079401 010104	Oil cup	9	

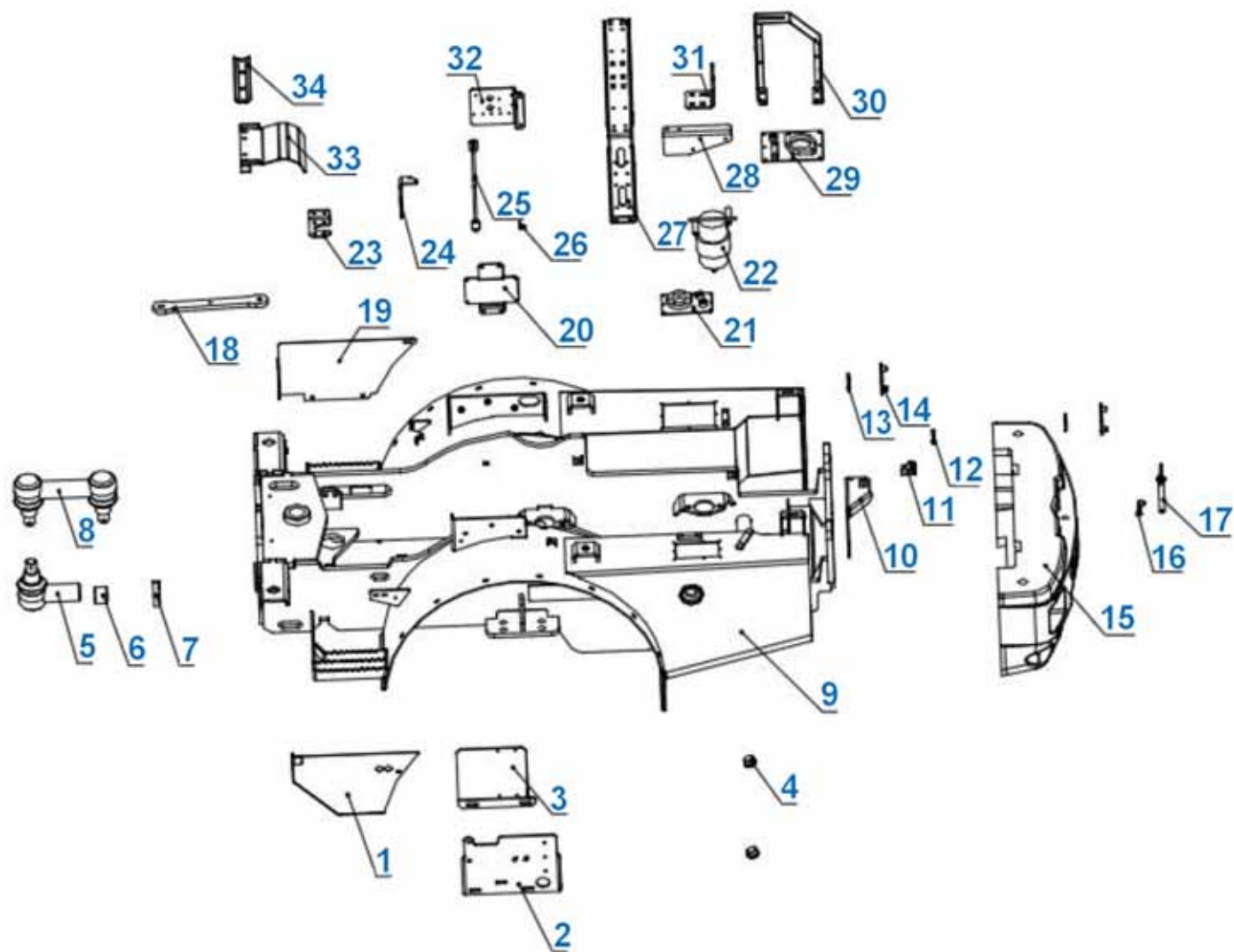
## 4.3 Front chassis



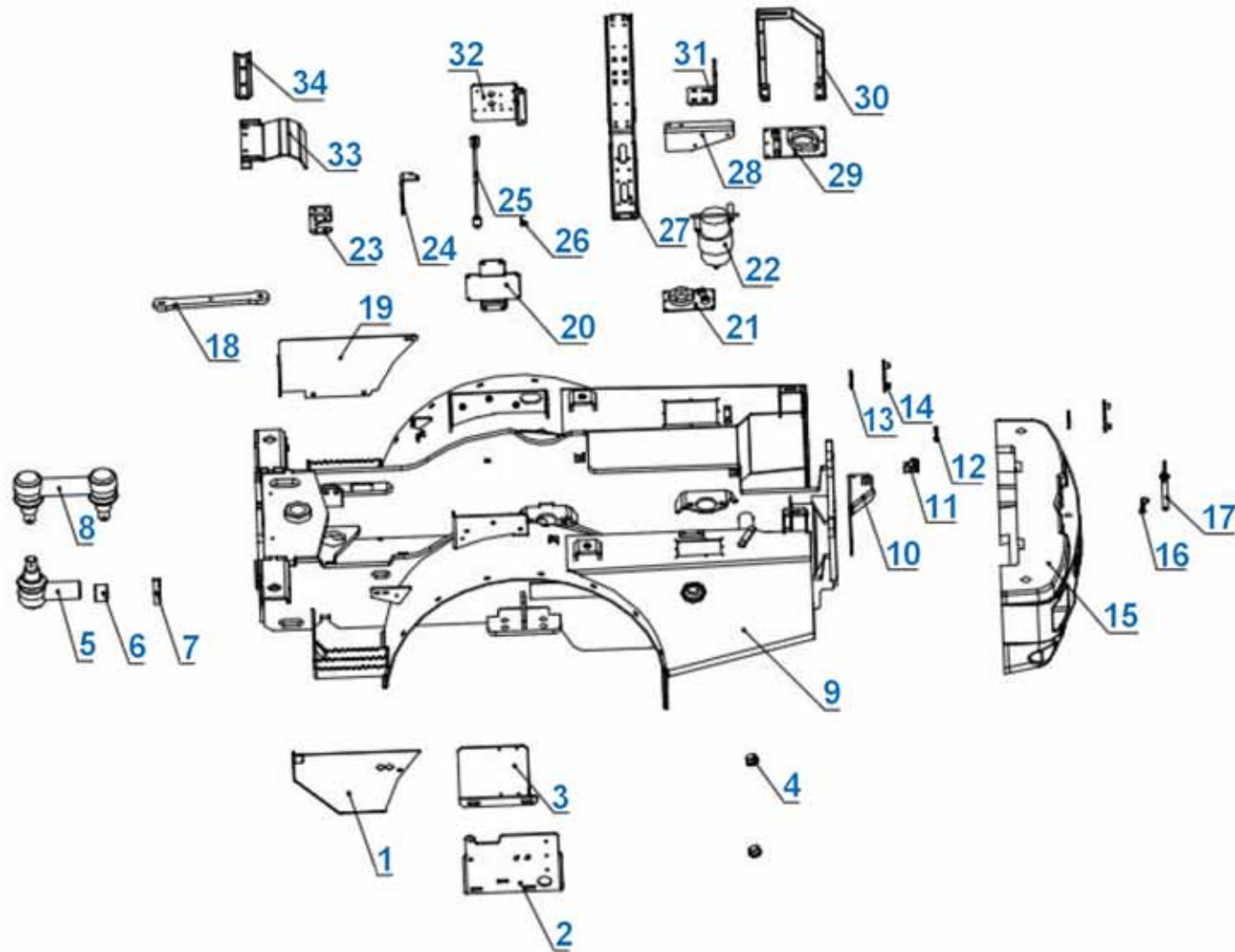
**Front chassis**

Item	Part number	Part name	Qty	Remark
1	850-410000-000	Front chassis	1	
2	850-720100-000	Headlight bracket	2	
3	1130-400008-G00	Oil plug	1	
4	850-410035-100	E5 fuel tank cover plate	1	
5	850-600002-000	Working device pipeline transition plate	1	
6	850-600005-000	Six way valve mounting plate	1	
7	1130-410034-G00	Fuel tank filler cap	1	
8	850-400009-000	Limit connecting rod	1	

## 4.4 Rear chassis



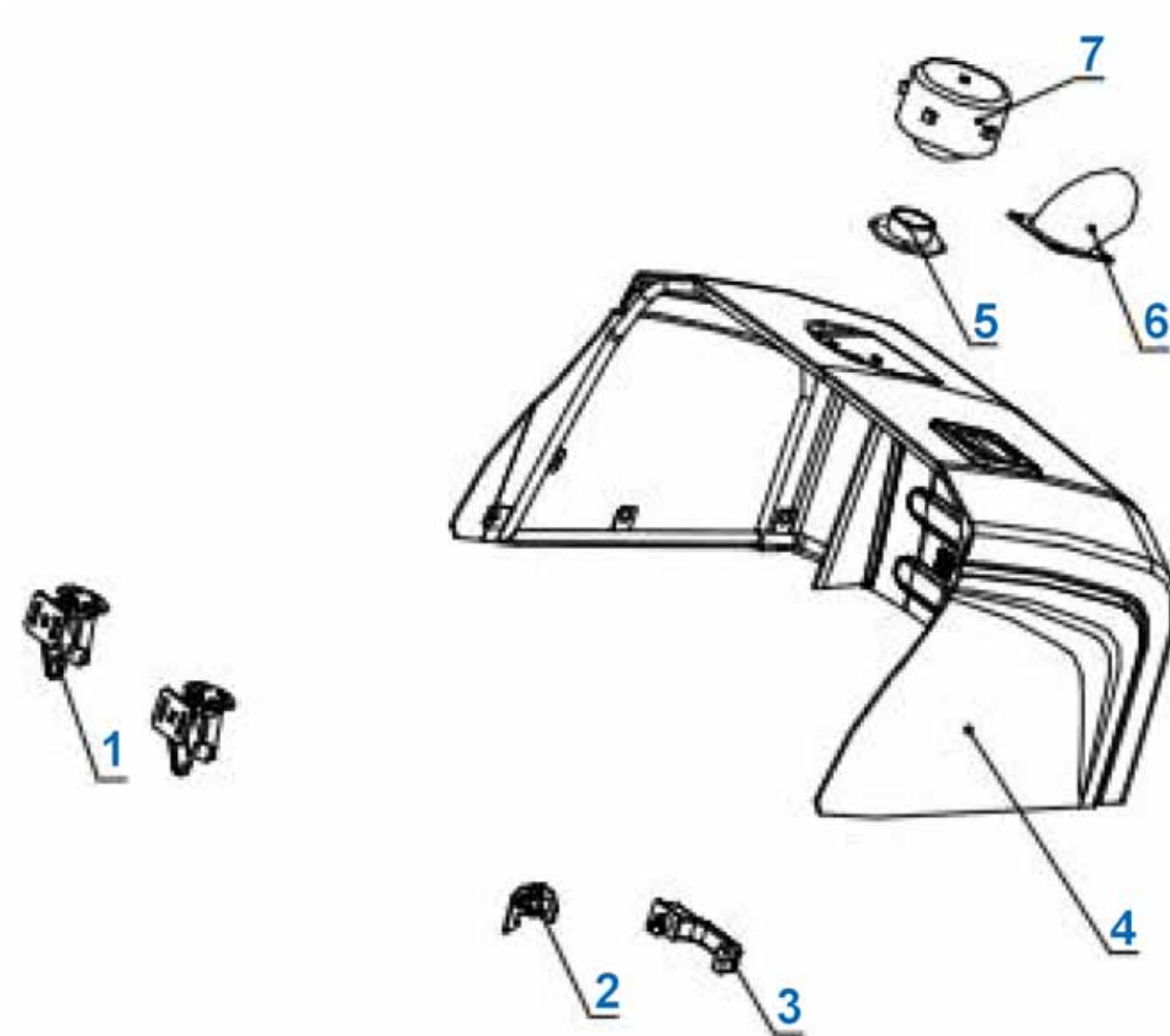
Rear chassis				
Item	Part number	Part name	Qty	Remark
1	850-401501-000	Guard plate	1	
2	850-400014-100	Multi valve bracket	1	
3	850-400013-100	ECU mounting plate (Yanmar)	1	
4	1130-400008-G00	Oil plug G1	2	
5	850-400100-G00	Unilateral spherical hinge component	1	
6	1130-400026-000	Steering shock absorber	1	
7	850-400007-000	Hexagon thin nut M56x1.5	1	
8	850-400200-G00	Bidirectional spherical hinge component	1	
9	850-420000-100	Rear chassis welding (Yanmar)	1	
10	850-400026-100	Rear bonnet base mounting plate	1	
11	875-400012-000	Rear bonnet lock core mounting seat plate	1	
12	-	-	1	
13	1130-702001-610	Taillight fixing plate	2	
14	810E-700020-000	Tail lamp holder welding	2	
15	850-440006-G10	Counterweight	1	
16	1130-440010-G00	Elastic cotter d5	1	
17	1130-440900-000	Towing plug	1	
18	850-400009-000	Limit connecting rod	1	
19	850-400020-100	Battery shield	1	
20	850-400025-100	Control box mounting plate	1	
21	850-401200-100	Left oil tank cover plate assembly	1	
22	850-350001-100	Oil-water separator Yanmar 129A00-55700	1	
23	850-420011-000	Oil filter mounting plate	1	
24	850-400020-100	Battery shield	1	
25	850-400800-100	Connecting rod assembly	1	





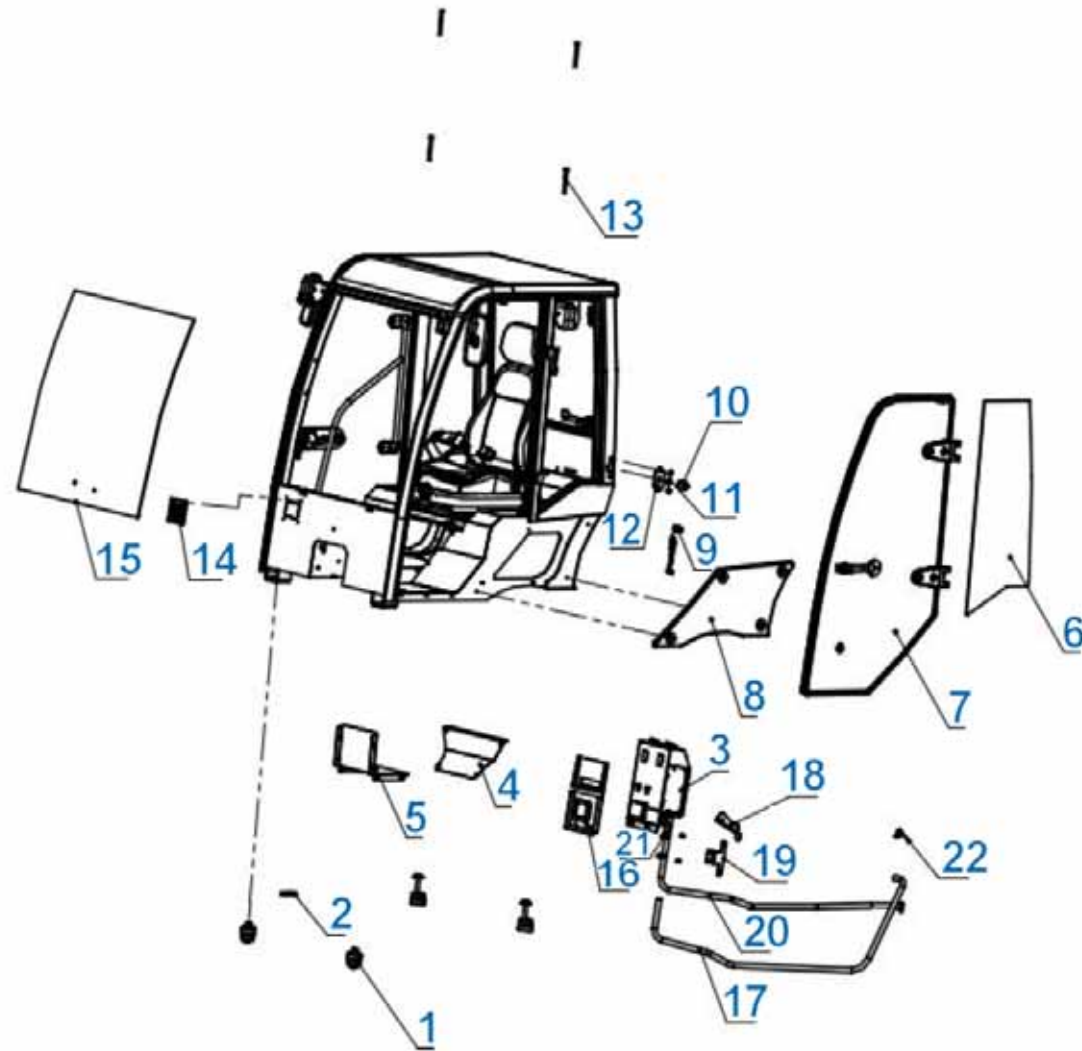
Rear chassis				
Item	Part number	Part name	Qty	Remark
26	850T-434027-003	Length sensor welding base	1	
27	850-401000-100	Support plate component (Yanmar)	1	
28	850-400022-100	Oil water separator installation	1	
29	850-401300-100	Right left oil tank cover plate assembly	1	
30	850-400019-100	Right base	1	
31	850-400018-100	Air filter mounting bracket	1	
32	850-400024-100	Relay mounting plate	1	
33	850-600800-000	Frame pipe clamp	1	
34	850-600003-000	Front pressing plate	1	

## 4.5 Rear bonnet



Rear bonnet				
Item	Part number	Part name	Qty	Remark
1	850-440550-010	Air outlet	1	
2	810-445600-538	New tail cover lock handle	1	
3	850-440003-538	Lock hook assembly	1	
4	850-440500-G38	Rear bonnet	1	
5	850-445200-000	Hood hinge (left and right)	2	
6	05783 100301	Bolt M8x25	6	
7	000093 010001	Spring washer 8	6	
8	000097 010001	Flat gasket 8	6	

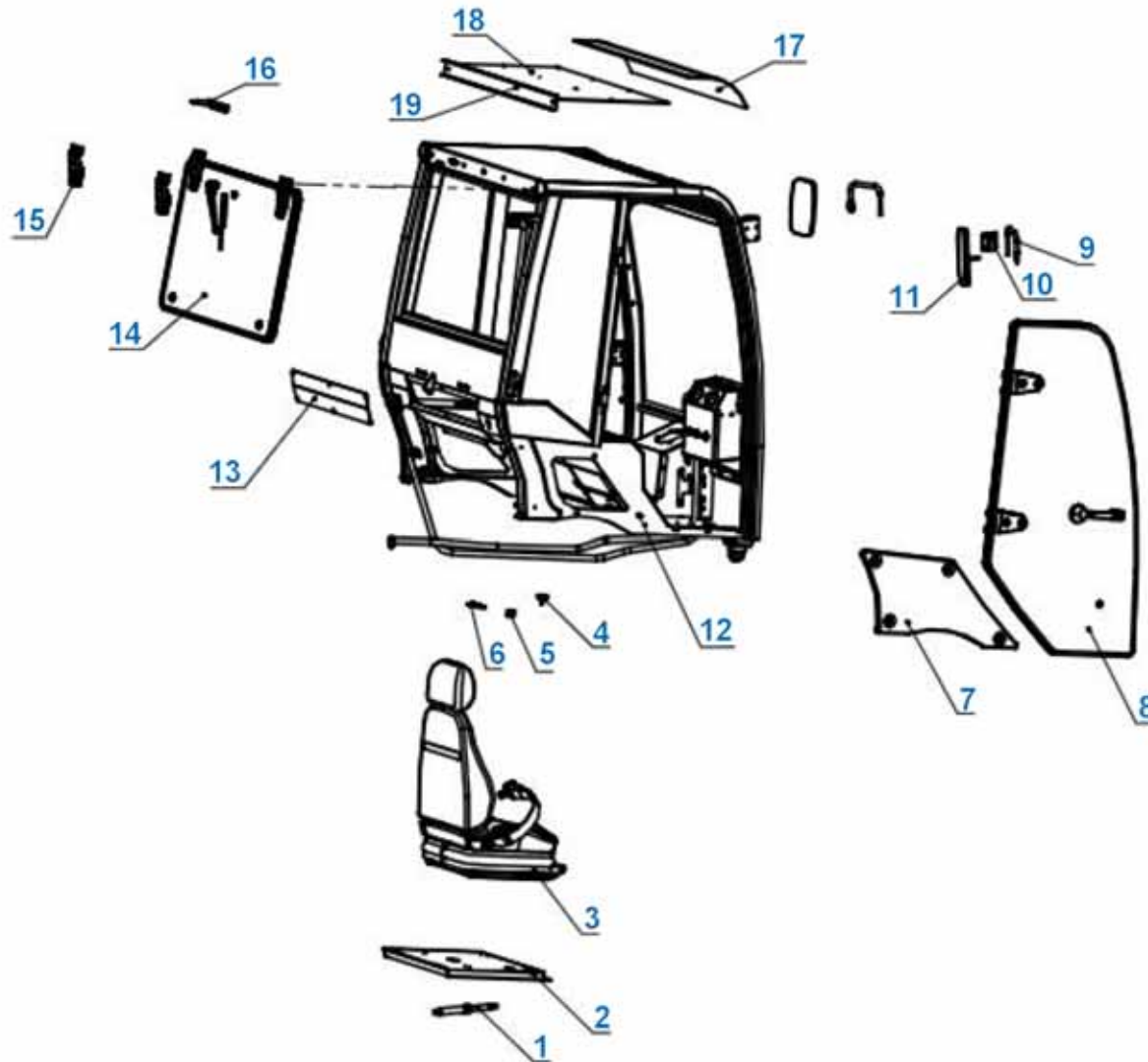
## 4.6 Cab mounting assembly I



**Cab mounting assembly I**

Item	Part number	Part name	Qty	Remark
1	806942030100	Cab shock pad component	4	
2	750602000014	Retainer	2	
3	720499000005	Heater	1	
4	850-479000-300	Baffle	1	
5	850-476000-000	Cover plate	1	
6	850-470002-300	Rear side window	2	
7	850-472000-300	Left door assembly	1	
8	850-470005-300	Cab left side plate	1	
9	850-478000-000	Door lock mounting assembly	2	
10	750906000027	Spring bolt	2	
11	850-470016-300	Gasket	2	
12	850-470017-300	Lock mounting plate	2	
13	1140-470402-003	Pin	4	
14	321020000001	Louver air conditioning	1	
15	750711000010	Front windscreen Glass	1	
16	850-477100-000	Heater mounting plate	1	
17	750005000044	Water pipe	1	
18	850-477002-000	Upper guard plate	1	
19	850-477001-000	Water valve fixing plate	1	
20	750005000043	Water pipeφ16-24x2610	1	
21	750005000045	Water pipe 3	1	
22	003776 024001	Double steel wire clamp	9	

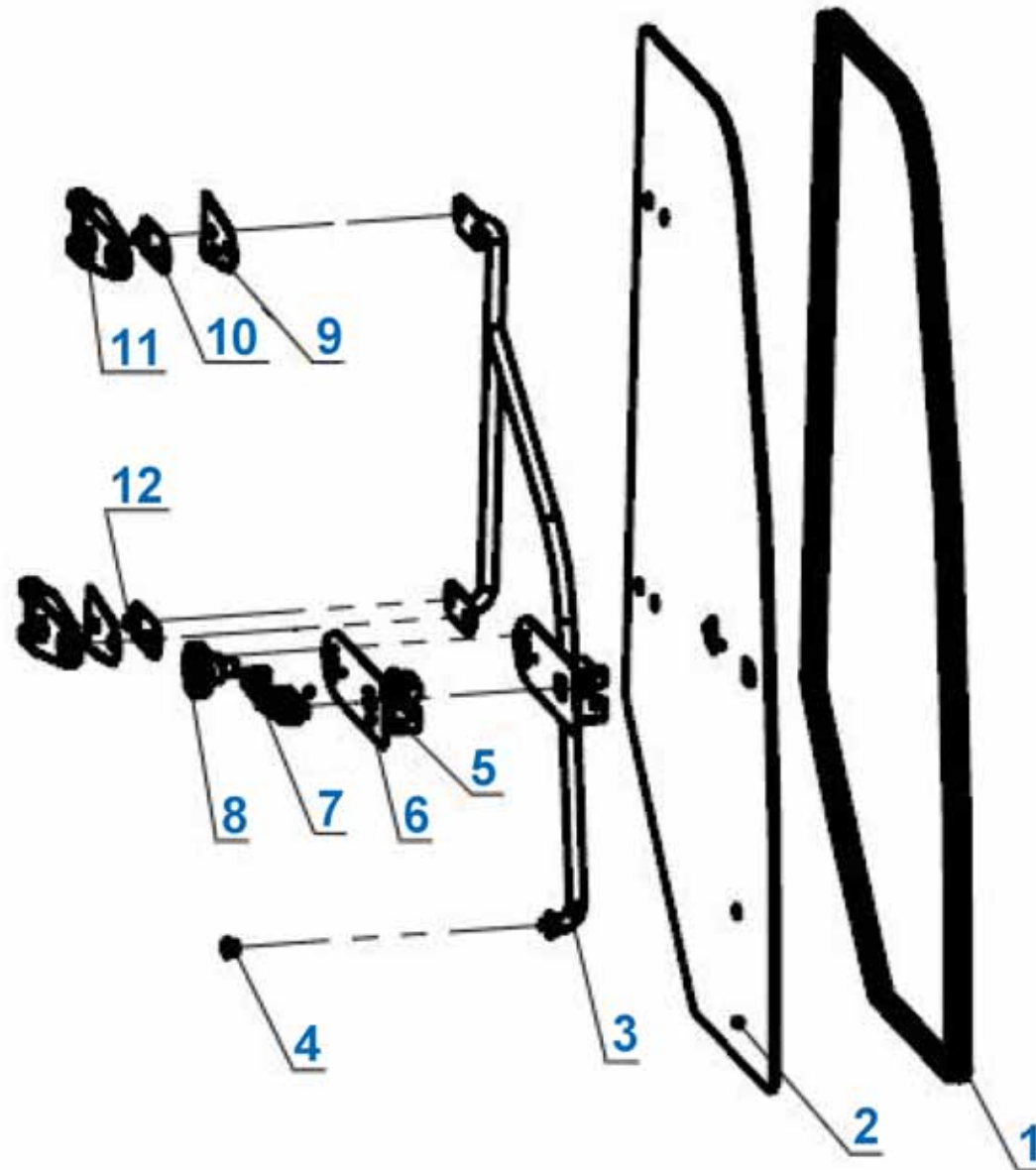
## 4.7 Cab mounting assembly II



**Cab mounting assembly II**

Item	Part number	Part name	Qty	Remark
1	810-470400-G00	Gas spring	1	
2	850-475000-300	Seat mounting plate	1	
3	850-470022-400	Seat assembly SC25-86	1	
4	1130-440017-G00	Bolt M8x20	1	
5	K30000 515001	Fixing plate	1	
6	850-470009-G00	Hinge	1	
7	850-470010-300	Cab left side plate	1	
8	850-473000-300	Right door assembly	1	
9	1230-470005-000	Mirror bracket	2	
10	1230-470006-000	Support	2	
11	1130-440700-G00	Mirror	2	
12	850-471000-300	Safety canopy welding (cab)	1	
13	850-470011-300	Shrouding	1	
14	850-474000-300	Rear window assembly	1	
15	K30G00 585300	Rear window hinge assembly	2	
16	810-440012-000	Warning light bracket	1	
17	1230-470001-200	Ceiling glass cover	1	
18	850-470015-300	Interior roof	1	
19	850-470013-300	Top seal plate	1	

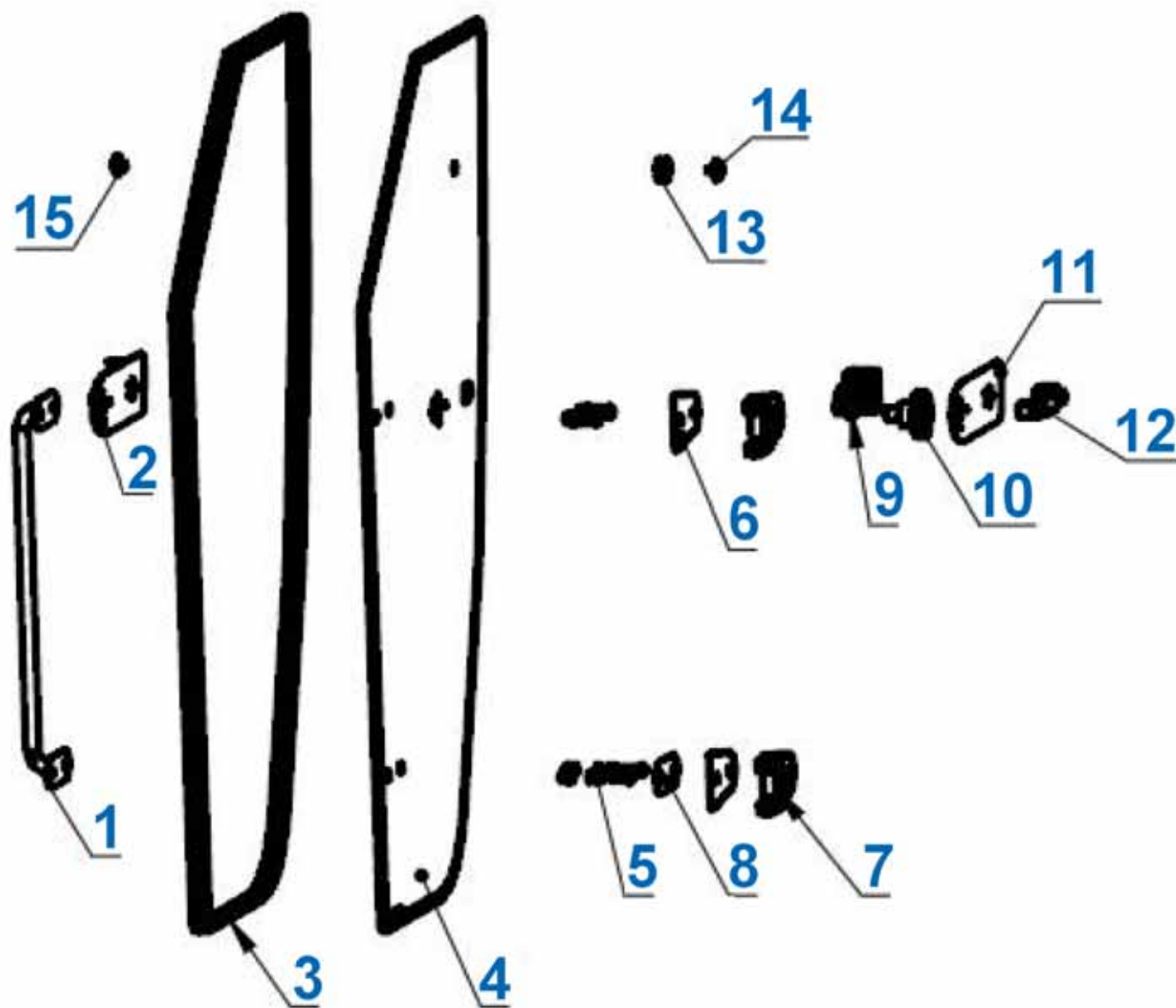
## 4.8 Right door assembly





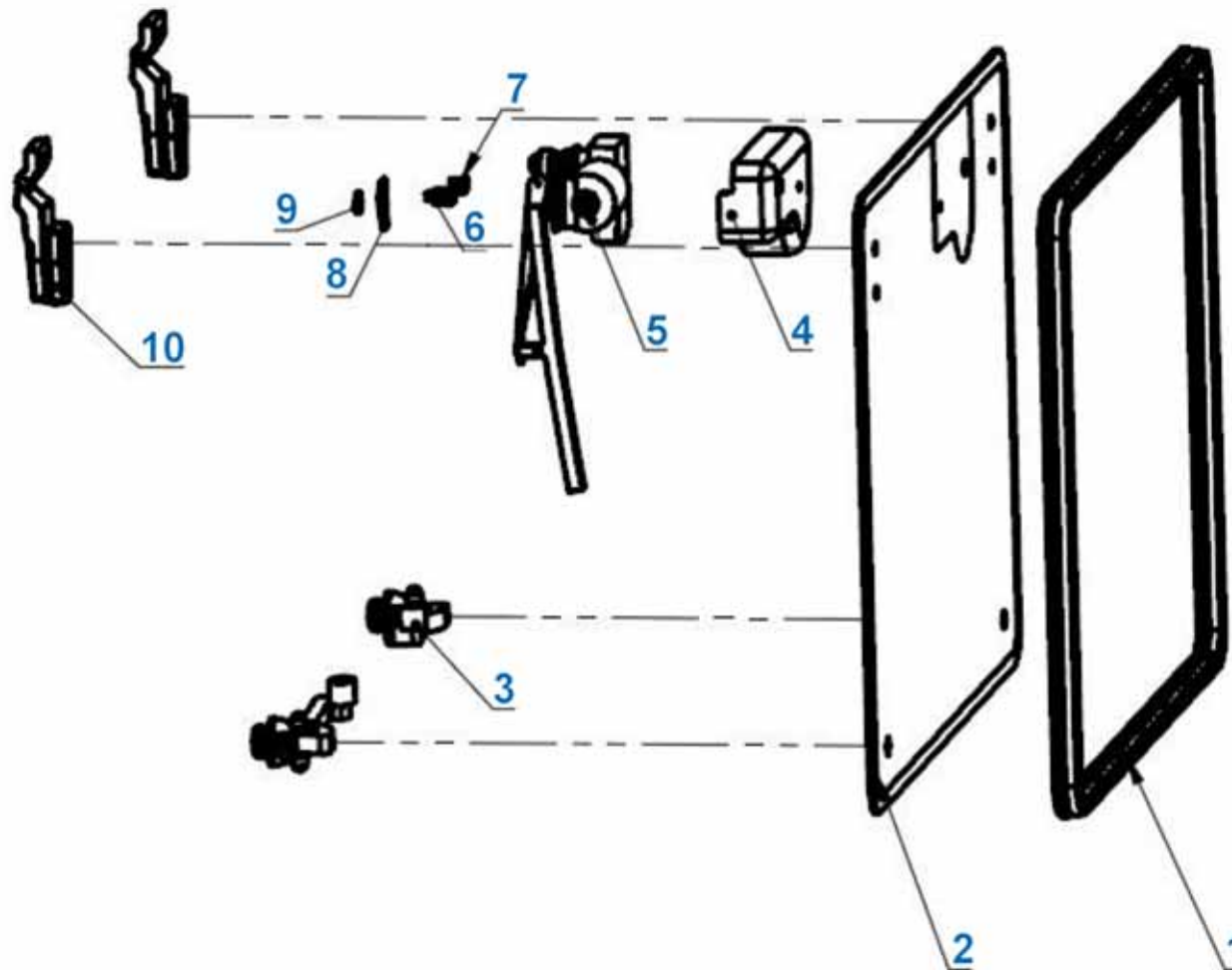
Right door assembly				
Item	Part number	Part name	Qty	Remark
1	850-473004-300	Sealing strip	1	
2	850-473001-300	Right side door glass	2	
3	1230-472100-500	Right door fixing plate assembly	1	
4	1140-472006-003	Bush 2	1	
5	1230-470603-G00	Right lock	1	
6	1140-472004-003	Rubber pad	1	
7	1230-470602-G00	Door lock handle	1	
8	1140-440600-003	Door impact lock seat assembly	1	
9	1140-472005-003	Cab hinge rubber pad	2	
10	1230-472002-000	Rubber pad	2	
11	850-472006-300	Cab door hinge plate	2	
12	850-472005-200	Bush	4	

## 4.9 Left door assembly



Left door assembly				
Item	Part number	Part name	Qty	Remark
1	1230-473100-500	Left door lock fixing plate assembly	1	
2	1140-472101-003	Fixed plate	1	
3	850-472004-200	Sealing strip	1	
4	850-472001-300	Left side door glass	1	
5	850-472005-200	Bush	4	
6	1140-472005-003	Cab hinge rubber pad	2	
7	850-472006-300	Cab door hinge plate	2	
8	1230-472002-000	Rubber pad	1	
9	1230-470601-G00	Left side lock	1	
10	1140-440600-003	Door impact lock seat assembly	1	
11	1140-472004-003	Rubber pad	1	
12	1230-470602-G00	Door lock handle	1	
13	K30G00 580302	Fixed glass rubber pad	2	
14	K30G00 585020	Glass fixing bolt	1	
15	1230-472204-000	Screw seat	1	

## 4.10 Rear window assembly

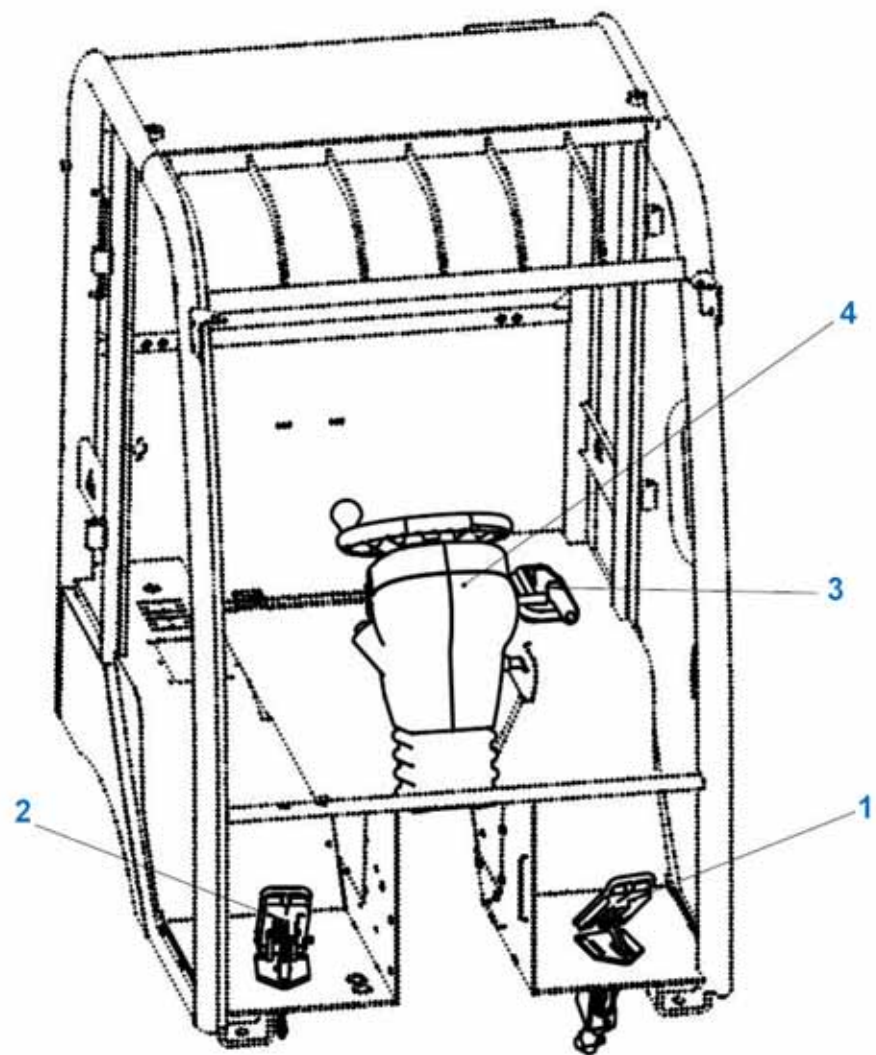


**Rear window assembly**

Item	Part number	Part name	Qty	Remark
1	875-474003-000	Sealing strip	1	
2	850-470004-300	Rear window	1	
3	850-474001-300	Rear window folding DS542-2L	2	
4	1140-474009-003	Windshield wiper cover	1	
5	806947050200	Front wiper motor assembly	1	
6	KEL-601A204	Rocker switch	1	
7	1140-474010-003	Fixed plate	1	
8	810-474008-100	Wiper rubber pad	1	
9	1230-472003-000	Rubber pad	1	
10	K30G00 585300	Rear window hinge assembly	2	

## 5. OPERATION SYSTEM

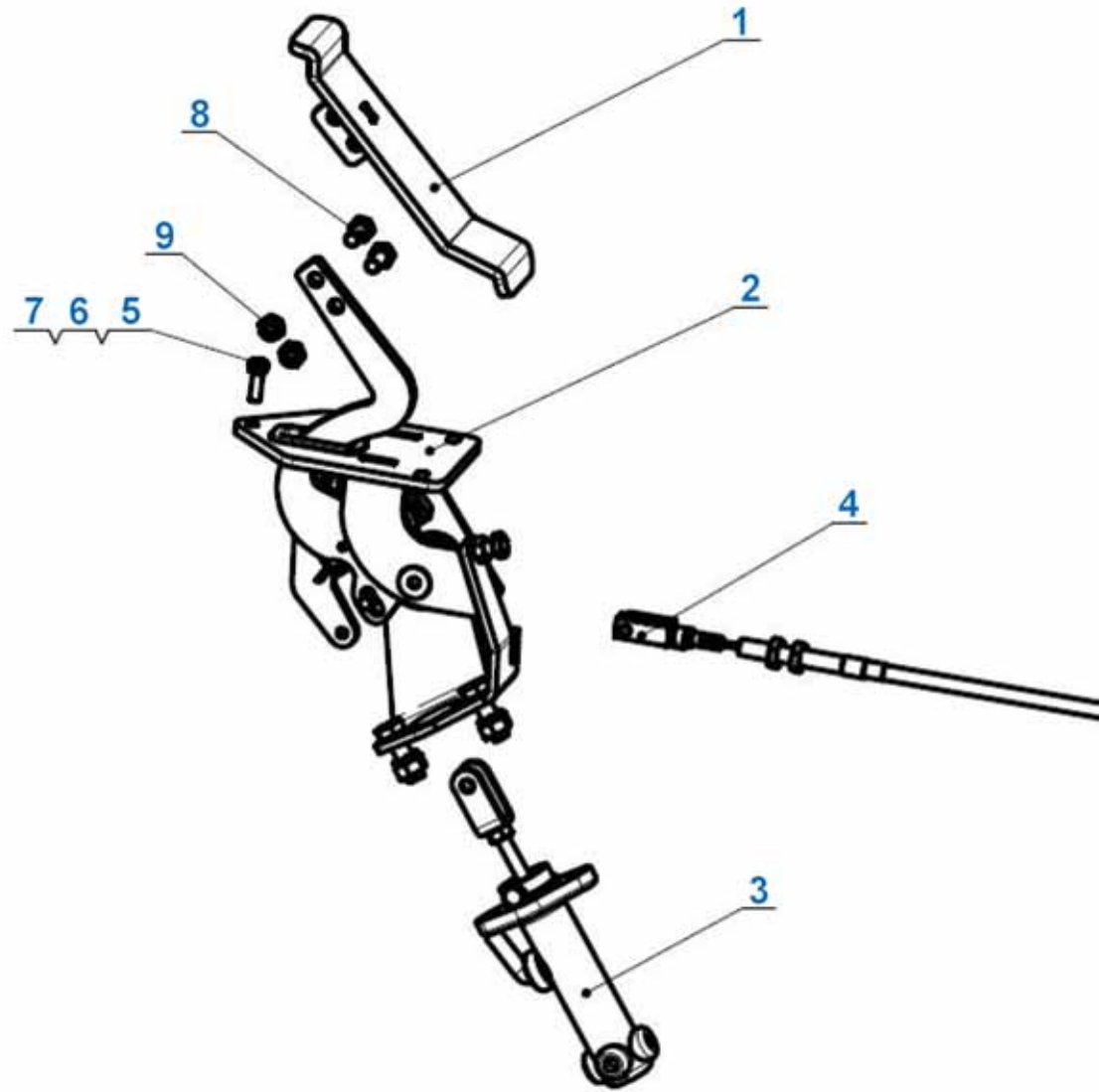
### 5.1 Operation system assembly



**Operation system assembly**

Item	Part number	Part name	Qty	Remark
1	-	Inching operate	1	
2	-	Inching operate	1	
3	-	Parking brake	1	
4	-	Steer operate	1	

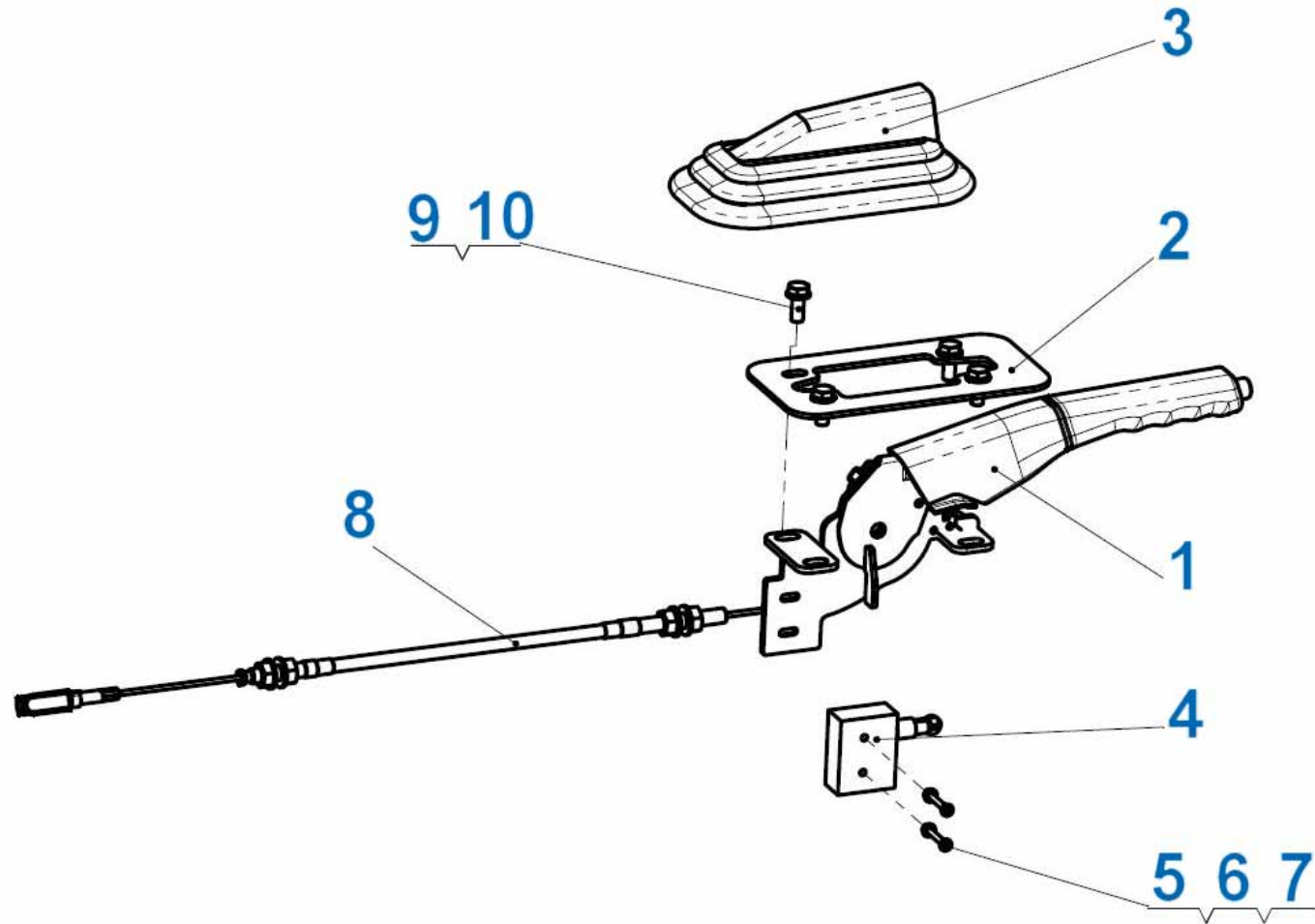
## 5.2 Inching operate





Inching operate				
Item	Part number	Part name	Qty	Remark
1	1230-500340-501	Pedal	1	
2	1230-500300-500	Foot brake	1	
3	K30000 611500	Brake master cylinder	1	
4	850-100200-100	Inching cable assembly	1	
5	005783 060201	Hexagon bolt M6x20-8.8	3	
6	000093 000061	Spring washer 6	3	
7	000971 000061	Flat washer 6	3	
8	005783 080251	Hexagon bolt M8x25-8.8	2	
9	008891 008001	Hexagon lock nut	2	

## 5.3 Parking brake



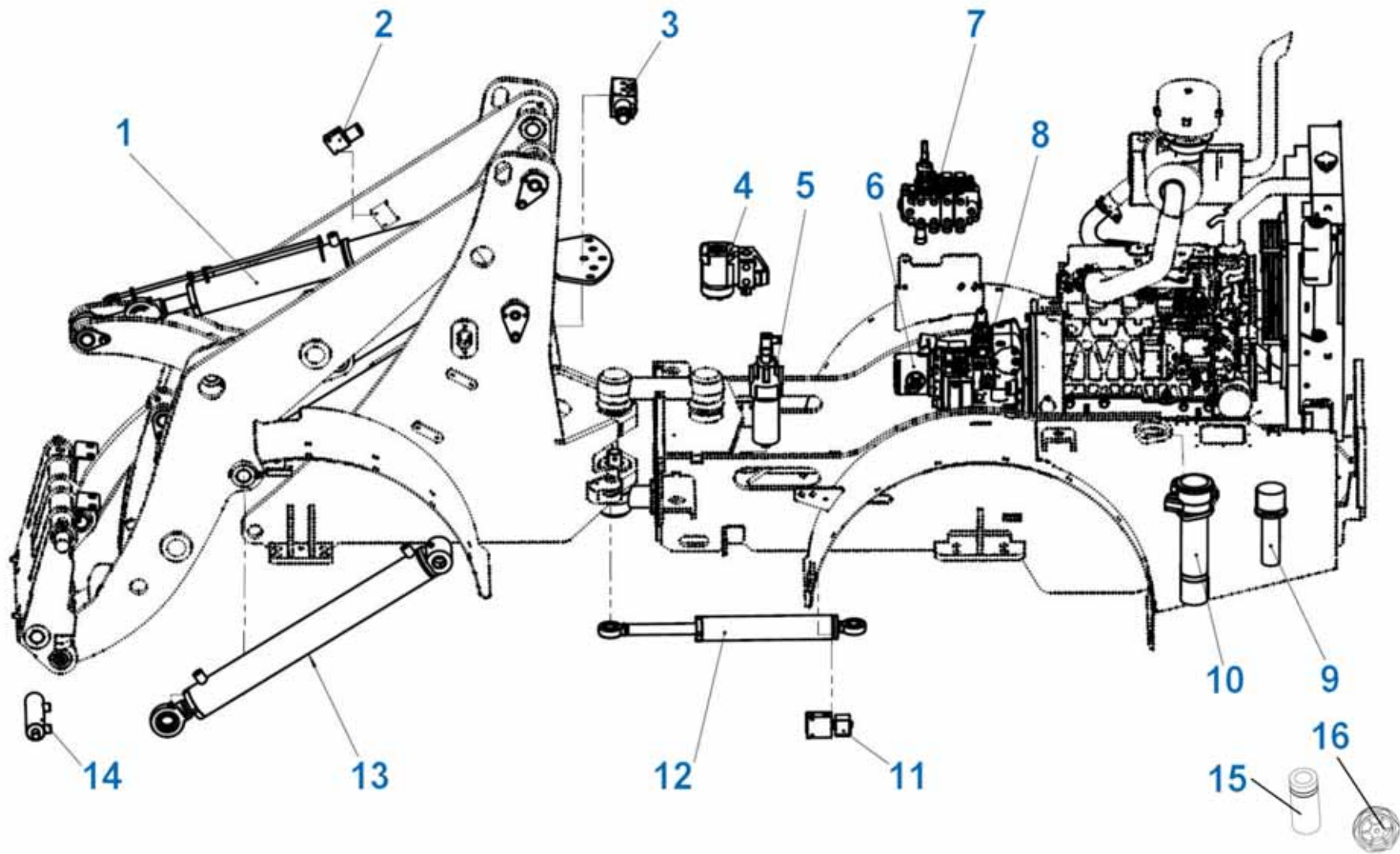
**Parking brake**

Item	Part number	Part name	Qty	Remark
1	1130-100400-G10	Hand brake assembly	1	
2	1130-100404-010	Plate	1	
3	1130-100004-000	Hand brake protective jacket	1	
4	720235000004	Travel switch	1	
5	000818 040301	Cross recess pan head screw M4x35-8.8	2	
6	000971 000041	Flat washer 4	2	
7	006170 004001	Hexagon nut M4	2	
8	1230-100600-G00	Hand brake assembly	1	
9	005783 080201	Hexagon bolt M8x20-8.8	4	
10	000971 000081	Flat washer 8	4	

## 6. HYDRAULIC SYSTEM

Hydraulic system						
Item	Part number	Left rubber hose connector	Right rubber hose connector	Length	Qty	Connection position
1	850-610300-G10	M30x2-135	M30x2-90	880	1	Main pump inlet port - oil absorbing and returning
2	850-610800-G00	M30x2-90-M30x2-90-90	M30x2-90-M30x2-90-90	460	1	Below the main pump - outside of the motor (Kubota)
3	850-610800-G10	M30x2-90-M30x2-90-90	M30x2-90-M30x2-90-90	495	1	Below the main pump - outside of the motor (Yanmar)
4	850-610600-G00	M30x2-90-M30x2-90-90	M30x2-90-M30x2-90-90	535	1	Upside of the main pump - inside steel tube of the motor
5	850-610600-G10	M30x2-90-M30x2-90-90	M30x2-90-M30x2-90-90	570	1	Upside of the main pump - inside steel tube of the motor
6	850-600600-G00	FH602-M30x2	FH602-M30x2		1	Steel tube assembly of traveling motor
7	850-612700-G10	M22x1.5-90	M22x1.5	540	1	Plunger pump port L2 - position motor port L2
8	850-612800-G10	M22x1.5	M22x1.5-135	1230	1	Three-way port-plunger pump port L2
9	850-610400-G10	M22x1.5	M22x1.5	410	1	Return check valve-Three-way port
10	850-610100-G10	M30x2	M30x2-135	350	1	Upside port of oil bulk-oil absorbing and returning
11	850-611300-G10	M18x1.5-90	M22x1.5	1110	1	Steering gear T-plunger pump port L1
12	850-610200-G10	M22x1.5-135	M22x1.5-135	1390	1	Three way of below port of oil bulk -main valve port
13	850-611200-G10	M22x1.5-135	M22x1.5	990	1	Steering gear EF - main valve port P
14	850-612300-G00	M18x1.5	M18x1.5	1300	1	Throttle of main valve port A3 - back cross pipe coupling
15	850-613500-G00	M18x1.5-135	M18x1.5	600	2	Back cross pipe coupling - head of lifting cylinder barrel
16	850-613600-G00	M18x1.5-135	M18x1.5	1200	2	Front cross pipe coupling - boom head of lifting cylinder
17	850-612200-G00	M18x1.5-135	M18x1.5	1566	1	Front cross pipe coupling - main valve port A3
18	850-612500-G00	M18x1.5-135	M18x1.5	1400	1	Main valve port A2 - six-way valve lower left port
19	850-613700-G00	M18x1.5	M18x1.5-90	1230	1	Six-way valve upper left port - tilt cylinder plunger
20	850-613800-G00	M18x1.5	M18x1.5-90	790	1	Boom head of tilting cylinder - six-way valve lower right
21	850-612400-G00	M18x1.5	M18x1.5-135	1400	1	Six-way valve lower right port - main valve port B2
22	850-611900-G00	M18x1.5-135	M18x1.5	1600	1	Main valve port A1 - right side of the board
23	850-613900-G00	M18x1.5-135	M18x1.5	850	1	Right side of the board - side of three way solenoid
24	850-613310-G00	M18x1.5	M18x1.5	2230	1	Three way solenoid valve - quick change
25	850-613210-G00	M18x1.5	M18x1.5-135	1370	1	Port of the solenoid valve - board
26	850-613200-G00	M18x1.5-135	M18x1.5	750	1	Board - lock cylinder
27	850-611800-G00	M18x1.5-135	M18x1.5	1666	1	Main valve B1- left side plate

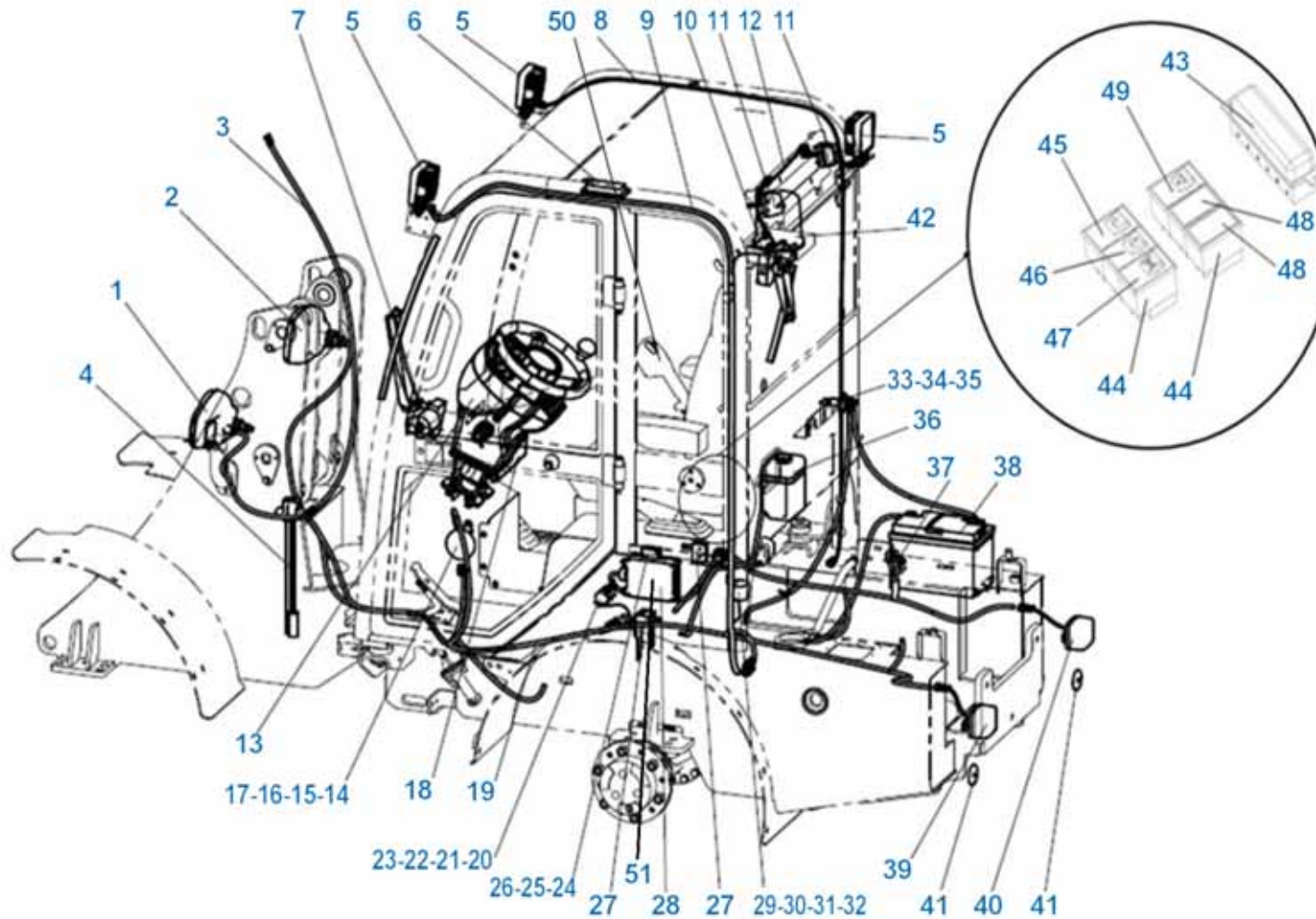
Hydraulic system						
Item	Part number	Left rubber hose connector	Right rubber hose connector	Length	Qty	Connection position
28	850-613900-G00	M18x1.5-135	M18x1.5	850	1	Left of the board - left board joint of arm
29	850-613300-G00	M18x1.5-90	M18x1.5	2230	1	Left tee joint upper port - quick change
30	850-613220-G00	M18x1.5-90	M18x1.5-135	1340	1	Left tee joint below port - board
31	850-613200-G00	M18x1.5-135	M18x1.5	750	1	Board - locking cylinder
32	850-611600-G10	M18x1.5-90	M18x1.5	740	1	Steering gear A - steering cylinder plunger port
33	850-611700-G10	M18x1.5	G3/8 articulated body	760	1	Steering cylinder barrel - steering gear port
34	850-611400-G10	M22x1.5	G1/2 articulated body	710	1	Gear pump oil-out - steering gear port P
35	1130-600201-000	M22x1.5 flange with 20x2.65 O-ring	M22x1.5 flange with 20x2.65 O-ring	-	1	Gear pump oil-out-
36	1230-600101-000	M30x2 flange with 25x2.65 O-ring	M30x2 flange with 25x2.65 O-ring	-	1	Gear pump oil inlet
37	850-611500-G10	M30x2-90	M30x2	1030	1	Gear pump oil inlet - left fuel tank below port (Yanmar)
38	850-611500-G00	M30x2-90	M30x2	1250	1	Gear pump oil inlet - left fuel tank below port (Kubota)
39	850-612600-G10	M14x1.5	M14x1.5	1260	1	Left and right fuel tank communicating pipe
40	850-614100-G00	M14x1.5-90	M14x1.5	1600	1	Front axle - tee joint
41	850-614200-G00	M14x1.5-90	M14x1.5-90	500	1	Rear axle - tee joint
42	850-614300-G10	M14x1.5	M14x1.5-90	1660	1	Solenoid valve port 3 - left fuel tank upper port
43	850-614400-G00	M18x1.5	M18x1.5-90	540	1	Solenoid valve port 1 - Oil filter tee joint upper
44	850-614500-G00	M18x1.5-90	M18x1.5	850	1	Tee joint below port - plunger pump (below oil-out)
45	850-614600-G00	M18x1.5	M18x1.5	680	1	Filter return port - plunger pump P2 (upper return)
46	850-614700-G00	M18x1.5-135	M18x1.5	1100	1	Six-way valve left port - left board outside port
47	850-614800-G00	M18x1.5	M18x1.5	2230	1	Left board outside port - left quick change
48	850-614900-G00	M18x1.5-135	M18x1.5	3330	1	Six-way valve right port - right quick change
49	850-615000-G00	M12x1.5-M12x1.5	M12x1.5-M12x1.5	500	1	Back spherical hinge grease pipe
50	850-615100-G00	M10x1-M10x1	M10x1-M10x1		1	Steering cylinder rear pin roll steel grease pipe



Hydraulic system				
Item	Part number	Part name	Qty	Remark
1	850-437000-G01	Tilting cylinder component	1	
2	730399000034	Two-way valve DHF10-220	1	
3	1230-600011-G00	Two six-way valve	1	
4	850-20200-G00	Steering gear (XCEL45-160)	1	
5	850-400015-G00	Oil filter	1	
6	850-303000-G00	Gear pump CBTFB-F420AF	1	
7	1230-600500-G00	Multitandem valve	1	
8	850-302000-G00	Plunger pump HP P4 034RB1GDP2M-052	1	
9	1130-600800-G00	Prepressing air filter PAF2-0.035-0.55-20F	1	
10	850-600700-G00	Oil absorbing and returning filter HTRF-B100	1	
11	730399000033	Two position three-way valve	1	
12	850-201000-G00	Steering cylinder component	1	
13	850-436000-G01	lifting cylinder component	2	
14	1130-438000-G00	Lock cylinder assembly	1	
15	VU-12-G1/2-0.4	Non-return valve	1	
16	850-400016-G00	Oil level mirror	1	

## 7. ELECTRIC SYSTEM

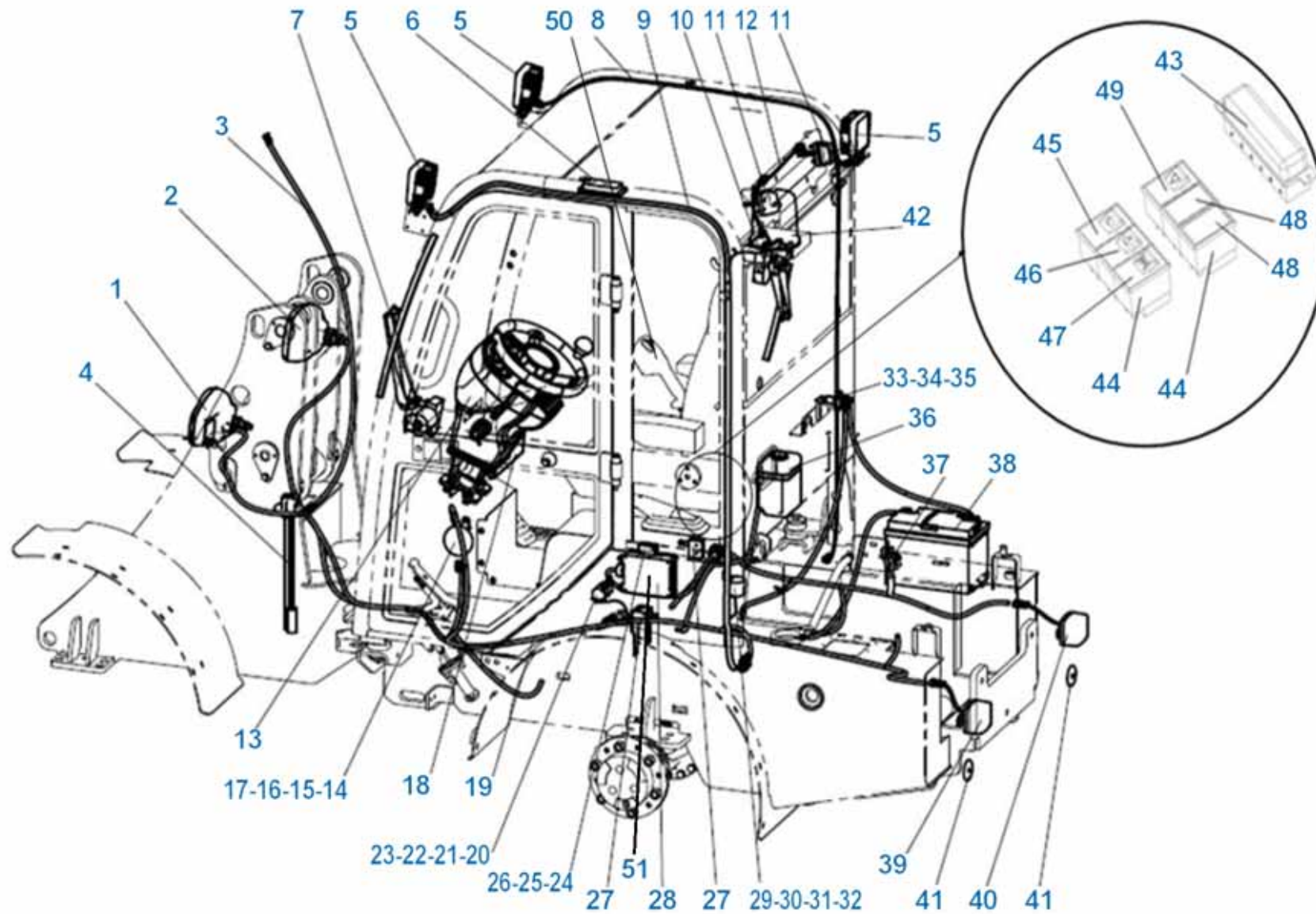
### 7.1 Electric system assemble chart





**Electric system assemble chart**

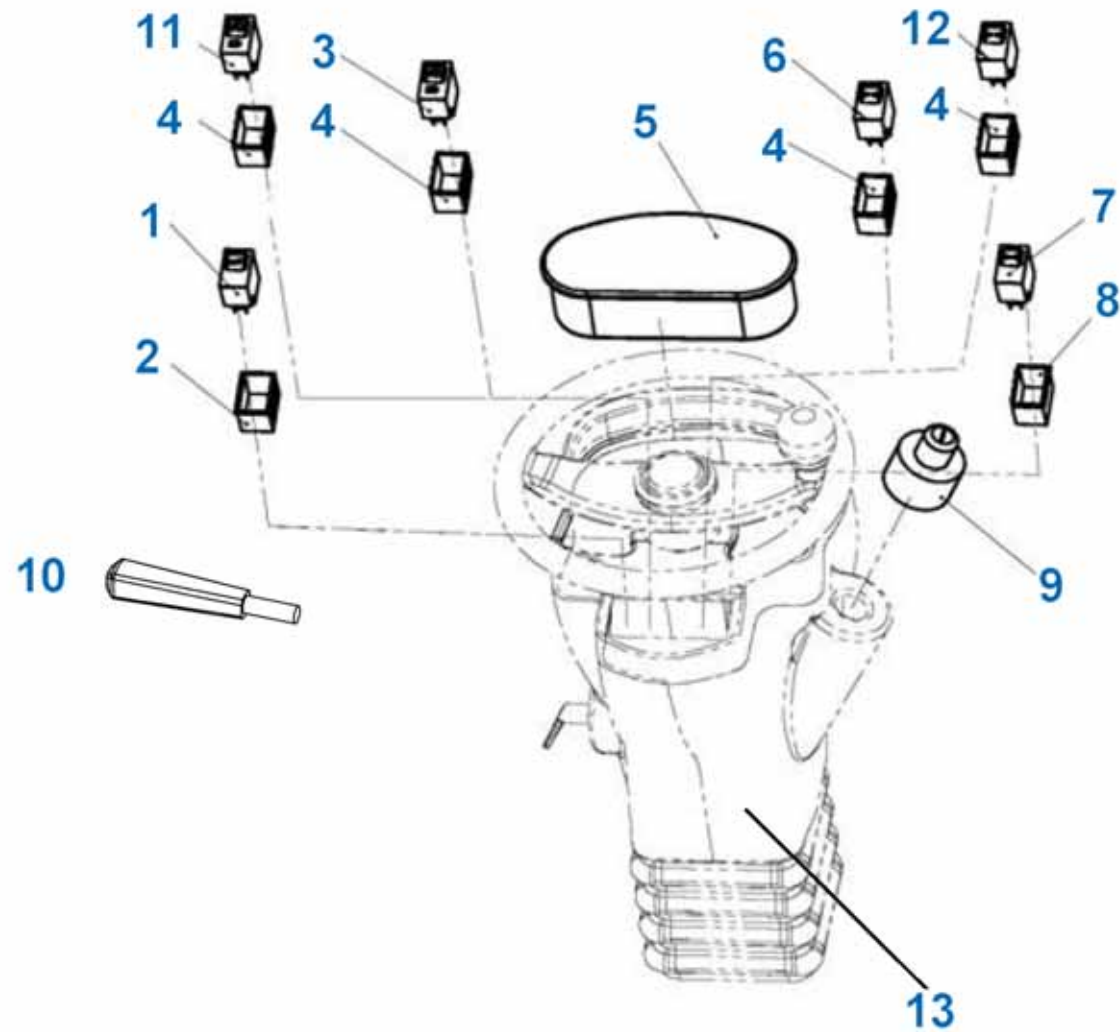
Item	Part number	Part name	Qty	Remark
1	720412000033	Left front combination lamp component	1	
2	720412000034	Right front combination lamp component	1	
	1130-700300-G10	LED working light	2	Changed in July 2019
3	810907090000	Fast solenoid valve wire	1	
4	720212000012	Oil temperature sensor	1	
5	720412000035	LED working light	3	
6	720412000036	Inner light	1	
7	750699000118	Front wiper wash assy	1	
8	810907040000	Right wire of cabin	1	
9	810907030000	Left wire of cabin	1	
10	720405000004	Front wiper wash	1	
11	720412000037	License light	2	
12	810907070000	Wire for license	1	
13	810907010000	Instrument assembly ZB1014-07	1	
14	720407000003	Horn	1	
15	005783 080161	Bolt M8x16	1	
16	000093 000081	Washer 8	1	
17	000971 000081	Washer 8	1	
18	750703000001	Heater	1	
19	810907180000	Main wireness of frame	1	
20	720204000001	Relay	8	
21	8180050121	Cross recess head screw M5x12	8	
22	000093 000051	Washer 5	8	
23	000971 000051	Washer 5	8	
24	720399000004	Insert plug fuse seat	2	
25	720299000004	Insert plug fuse	2	
26	000818 040121	Bolt M4x12	1	
27	720235000004	Position limit switch	1	
28	1130-700900-G10	Control box LZKZ12V-4	1	



**Electric system assemble chart**

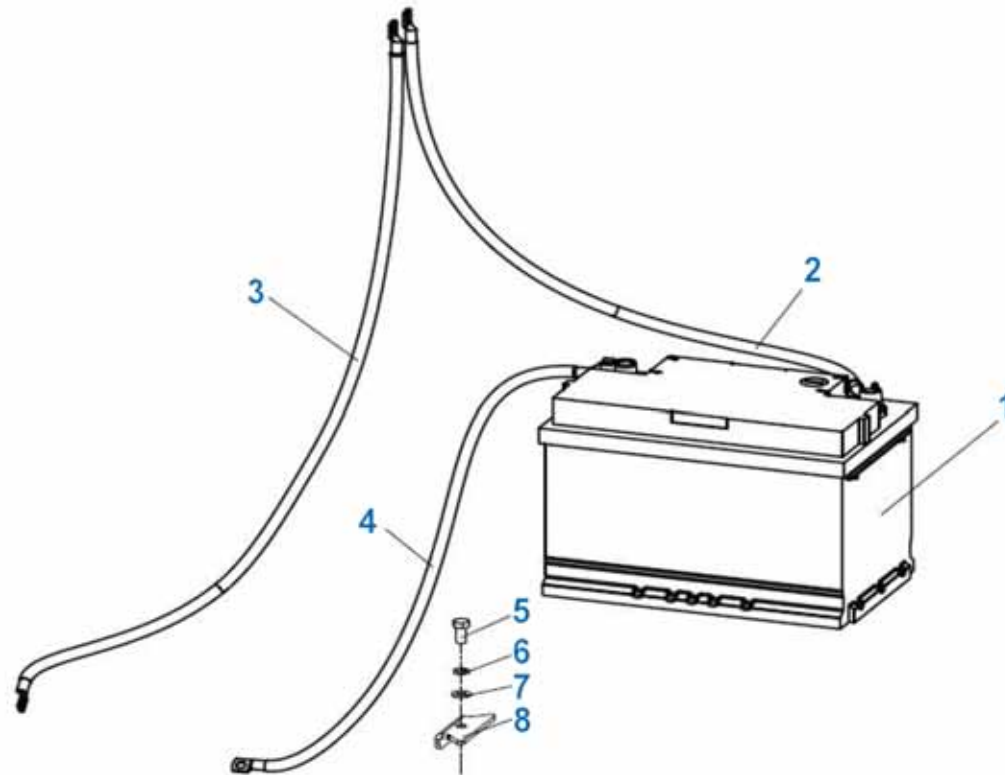
Item	Part number	Part name	Qty	Remark
29	720410000002	Buzzer	1	
30	005783 060161	Bolt M6×16	1	
31	000093 000061	Washer 6	1	
32	000971 000061	Washer 6	1	
33	720241000002	Main power switch	1	
34	000701 060251	Bolt M6x25	2	
35	000617 0006001	Bolt M6	2	
36	750699000111	Wash bottle	1	
37	720212000011	Water temperature sensor	1	
38	810907020000	Battery assemble assy	1	
39	720412000023	Left rear lamp	1	
40	720412000024	Right rear lamp	1	
41	750699000164	Reflector	2	
42	720412000007	Warning light	1	
43	1130-701800-G00	6-way fuse box	1	
44	850-701900-G00	Triple group frame of rocker switch	2	
45	850-701903-G00	Wiper switch	1	
46	850-701902-G00	Watering can switch	1	
47	850-701901-G00	Differential lock switch	1	
48	1230-700023-G00	Switch box blank panel	2	
49	1130-710018-G00	Double trip switch	1	
50	1130-720000-G00	Handle assembly	1	
51	-	Engine ECU (4TNV86)	1	

## 7.2 Instrument



Instrument				
Item	Part number	Part name	Qty	Remark
1	1130-700013-G00	Horn switch	1	
2	1130-710018-G00	Switch bracket (left)	1	
3	1130-700014-G00	Working light switch	1	
4	1130-710019-G00	Switch bracket (middle)	4	
5	850-702400-100	Instrument core	1	
6	1130-700019-G00	Beacon switch	1	
7	850-700024-G00	Lock equipment switch	1	
8	1130-710020-G00	Switch bracket (right)	1	
9	1130-710002-G00	Ignition switch	1	
10	810-710025-G00	Combination switch (steering light/far and near light/width light)	1	
11	850-700025-G00	Active regenerative switch	1	
12	850-700026-G00	Non-regenerative switch	1	
13	850-702300-100	Instrument assembly	1	

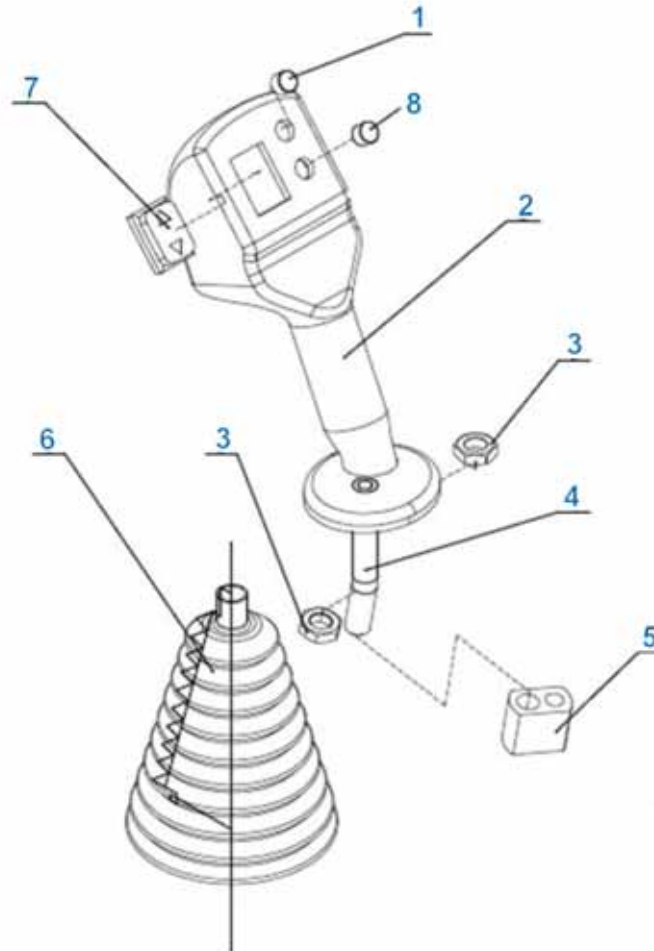
## 7.3 Battery assemble assy



**Battery assemble assy**

Item	Part number	Part name	Qty	Remark
1	SMF95D31L	Battery	1	
2	850-702200-100	Battery negative wire component	1	
3	850-702200-100	Connect wire	1	
4	850-702200-100	Battery positive wire component	1	
5	5783080161	Bolt M8x16	1	
6	93000081	Washer 8GB93-87	1	
7	971000081	Washer $\phi$ 8 GB97.1	1	
8	302040000042	Battery fixed pressing plate	1	

## 7.4 Handle assembly

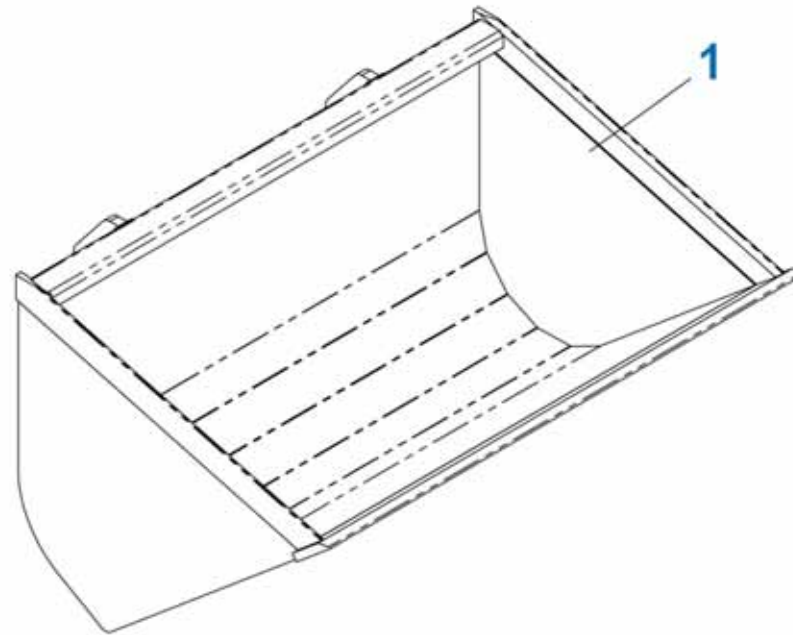




Handle assembly				
Item	Part number	Part name	Qty	Remark
1	1130-600305-G00	Button switch (yellow)	1	
2	1130-600301-G00	operate handle housing	1	
3	006173 014002	Nut M14x1.5	2	
4	1130-600303-001	Joystick linkage	1	
5	1140-440013-003	Connecting plate (cabin)	1	
6	1230-600009-G00	Handle rubber sleeve	1	
7	1130-701500-001	Handle shift switch	1	
8	1130-600306-G00	Button switch (red)	1	

## 8. ATTACHMENT

### 8.1 Bucket assembly



---

Bucket assembly				
Item	Part number	Part name	Qty	Remark
1	1230-800000-551	Bucket assembly	1	