



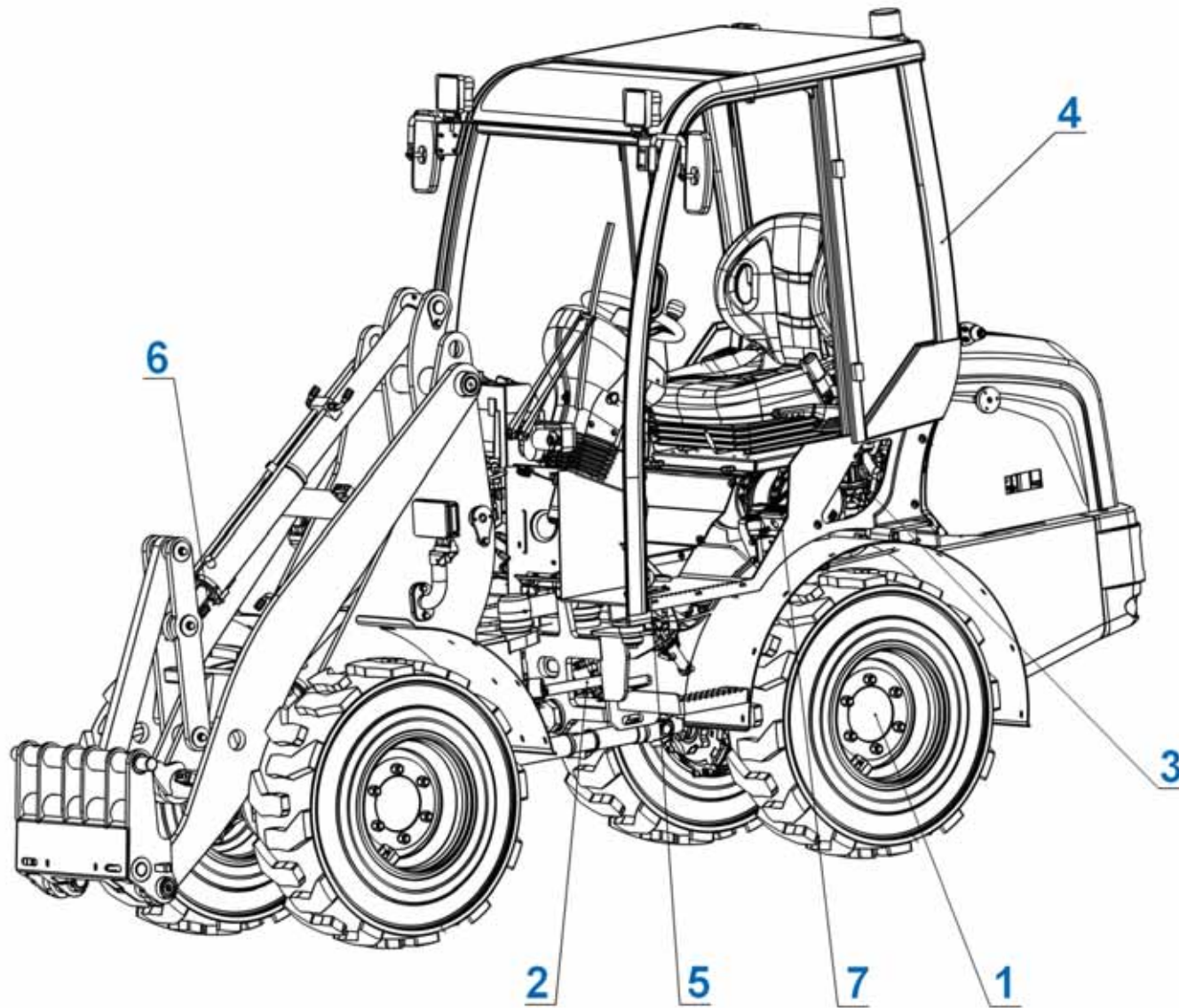
W12F Spare parts

P. de Heus en Zonen Greup B.V.
Stougjesdijk 153
3271 KB Mijnsheerenland
The Netherlands
Tel. + 31 (0) 186 612 333
info@eurotrac.nl

1.	WHEEL LOADER ASSEMBLY	4
2.	TRANSMISSION SYSTEM	6
2.1	Transmission system general assembly	6
2.2	Tyre assembly	8
2.3	Rear axle assembly	10
2.4	Front axle assembly	14
2.5	Transmission axle assembly	18
2.6	Reducer assembly	20
2.7	Differential assembly	22
3.	STEERING SYSTEM	24
3.1	Pin assembly	24
3.2	Grease connecting pipe	26
4.	POWER SYSTEM	28
4.1	Power system mounting assembly	28
4.2	Engine components	30
4.3	Exhaust system	32
4.4	Inlet system	34
4.5	Cooling system	36
4.6	Fuel system	38
5.	VEHICLE SYSTEM	40
5.1	Vehicle system assembly	40
5.2	Working device	46
5.3	Rear bonnet assembly	48
5.4	Cab assembly	50
5.5	Heating system	54
5.6	Left door assembly	56
5.7	Rear window assembly	58
6.	OPERATE SYSTEM	60
6.1	Operate System assembly	60
6.2	Foot brake	62

7.	HYDRAULIC SYSTEM	64
7.1	Hydraulic system 1	64
7.2	Hydraulic system 2	66
7.3	Hydraulic system 3	68
7.4	Hydraulic system 4	70
7.5	Hydraulic system 5	72
7.6	Hydraulic system 6	74
7.7	Hydraulic system 7	78
8.	ELECTRIC SYSTEM	80
8.1	Electric system installation	80
9.	ATTACHMENT	84
9.1	Multi-function loader attachment	84

1. WHEEL LOADER ASSEMBLY

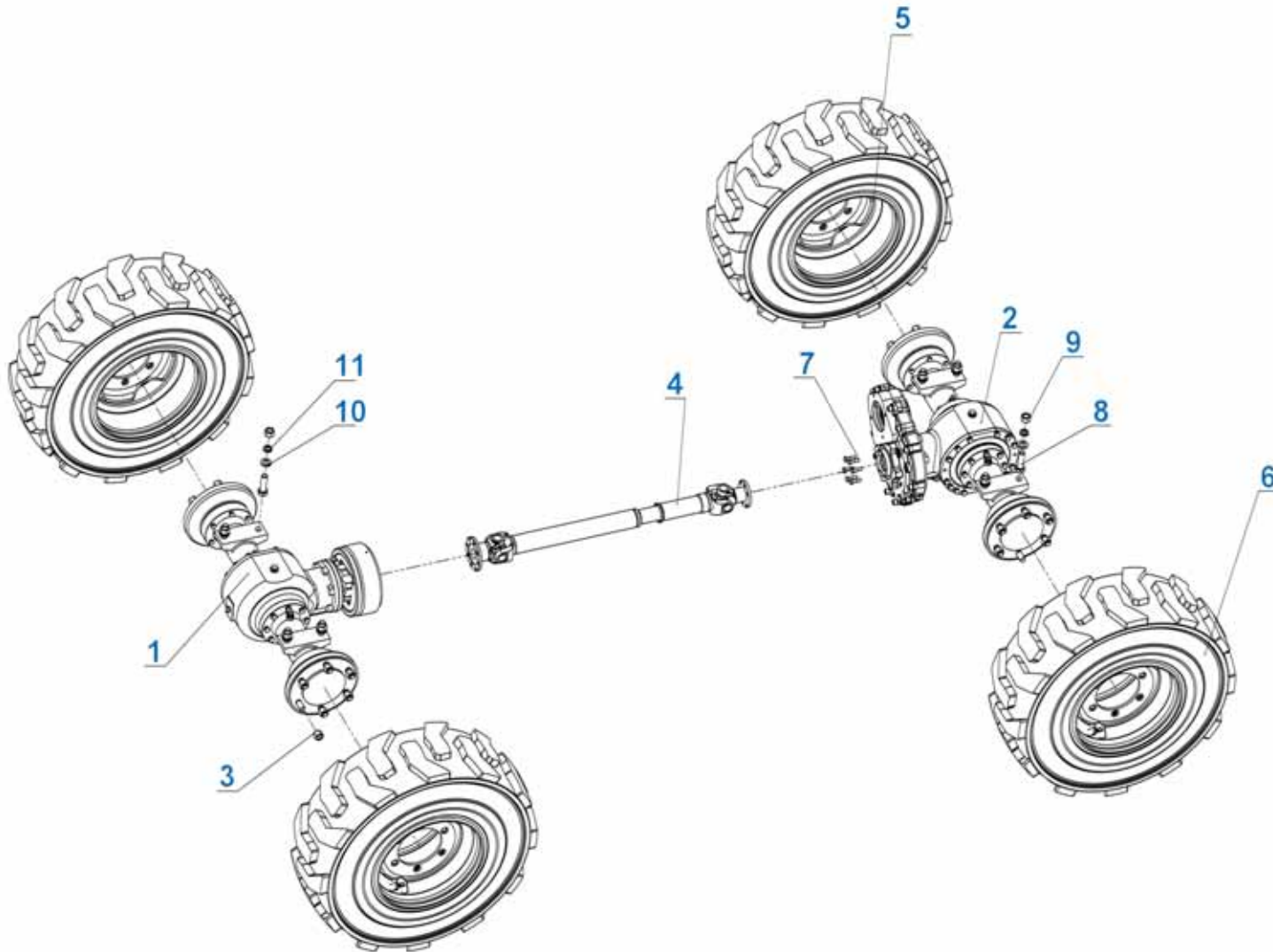


Wheel loader assembly parts list

Item	Part Number	Part Name	Quantity	Remark
1	830-100000-100	Transmission system	1	
2	830-200000-100	Steering system	1	
3	830-300000-100	Power system	1	
4	830-400000-100	Loader body system (cab)	1	
5	830-500000-100	Operation system	1	
6	830-600000-100	Hydraulic system	1	
7	830-700000-100	Electric system	1	

2. TRANSMISSION SYSTEM

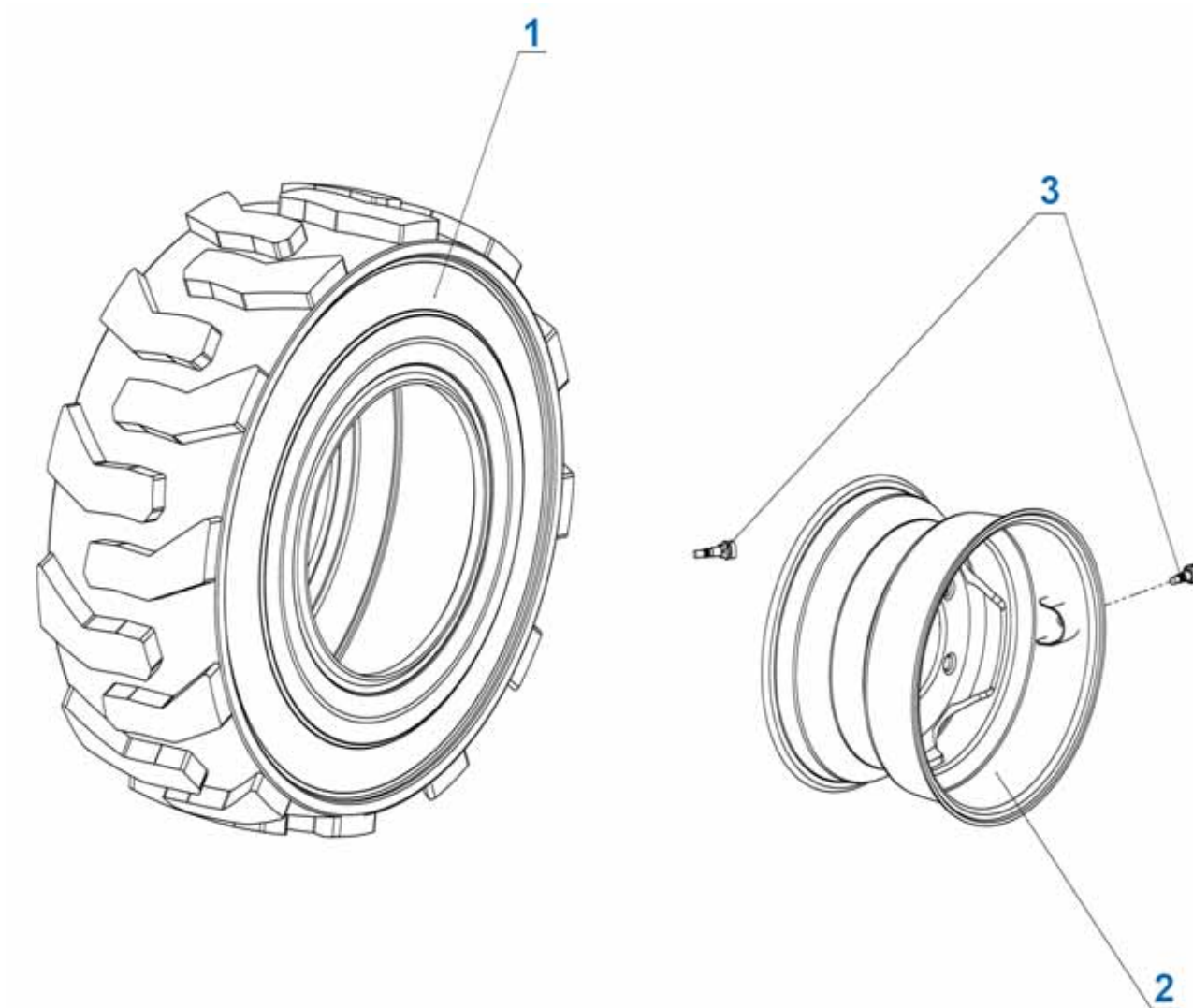
2.1 Transmission system general assembly



Transmission system general assembly parts list

Item	Part Number	Part Name	Quantity	Remark
1	1230-120000-020	Front axle assembly (two-speed)	1	
2	1230-110000-020	Rear axle assembly	1	
3	1230-110020-G10	Hub nut	24	
4	830-101000-100	Transmission shaft assembly(L=940)	1	
5	850-181000-500	Left tyre assembly (11.5/80-15.3)	2	
6	850-182000-500	Right tyre assembly (11.5/80-15.3)	2	
7	1230-100001-010	Fit bolt	6	
8	005783 200702A	Hexagon head bolts full thread M20×70-10.9	8	
9	006170 020001A	Hex nuts M20	8	
10	000971 000201A	Flat Washer 20	8	
11	000093 000201A	Standard elastic washer 20	8	

2.2 Tyre assembly

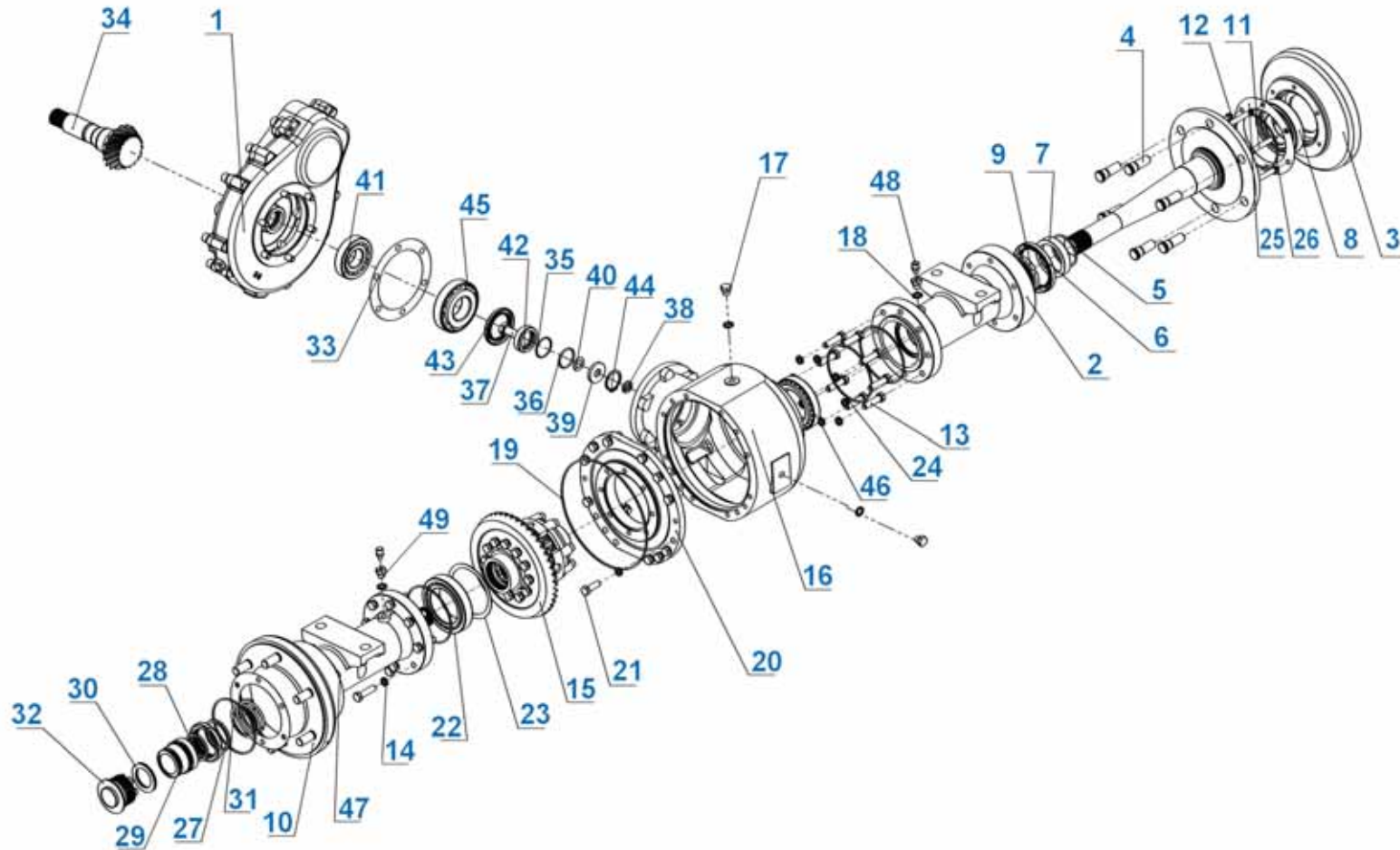


Tyre assembly parts list

Item	Part Number	Part Name	Quantity	Remark
1	850-181200-G00	Tyre 11.5-80-15.3	1	
2	850-180100-G00	Rim assembly 9.00X15.3	4	
3	1230-181001-500	Straight valve core 3501	2	

Rear axle assembly parts list

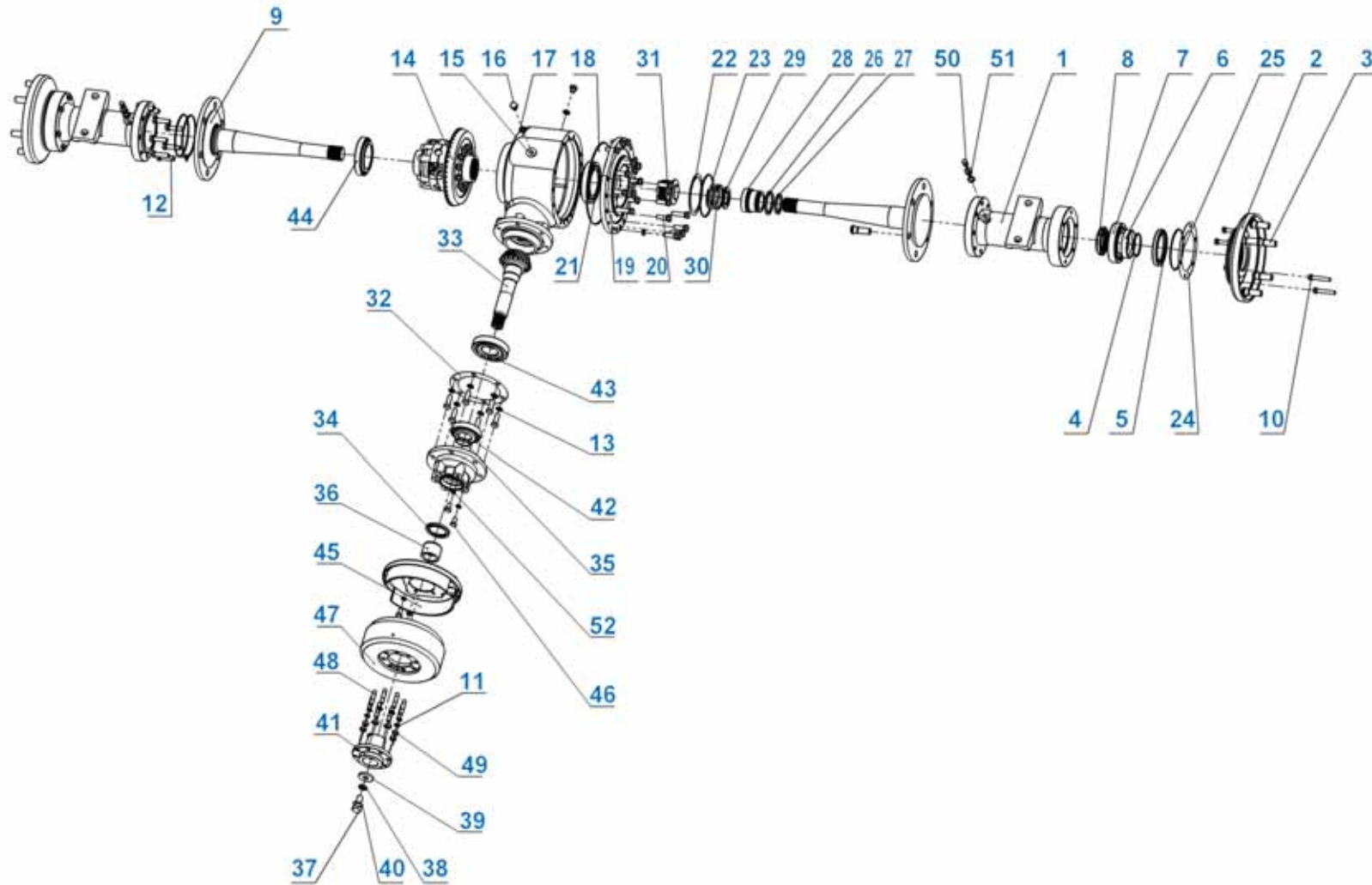
Item	Part Number	Part Name	Quantity	Remark
1	1230-111000-010	SQ35HP Reducer assembly	1	
2	1230-110003-G10	Sleeve	2	
3	1230-110004-G10	Thimble seat	2	
4	1020-111007-G00	Rim bolt	12	
5	034521 650355A	O-ring 65*3.55	2	
6	138711 08511012	Oil seal FB-85-110-12	2	
7	1230-110008-010	Spacer II	2	
8	000276 006213A	Deep groove ball bearing 6213	2	
9	1230-110018-G10	Nut M65X1.5	2	
10	1230-110005-G10	Half shaft	2	
11	005783 100601A	Hexagon head bolts full thread M10×60-8.8	6	
12	000093 000101A	Standard elastic washer 10	12	
13	005783 120453A	Hexagon head bolts full thread M12×45-12.9	16	
14	000093 000121A	Standard elastic washer 12	30	
15	1230-112000-020	Differential assembly (two speed)	1	
16	1230-110001-G10	Differential housing (rear)	1	
17	001000 000141A	Hexagon plug M14*1.5	3	
18	000982 000014A	Combined sealing gasket 14	5	
19	012350 240310A	O-ring 240*3.1	1	
20	1230-110009-G10	Bearing cap	1	
21	005783 120353A	Hexagon head bolts full thread M12×35-12.9	14	
22	000297 032016A	Tapered roller bearings 32016	1	
23	1230-110012-G10	Adjusting washer I	1	
24	012350 130310A	O-ring 130X3.1	3	
25	1230-110013-G10	Gasket II	3	



Rear axle assembly parts list

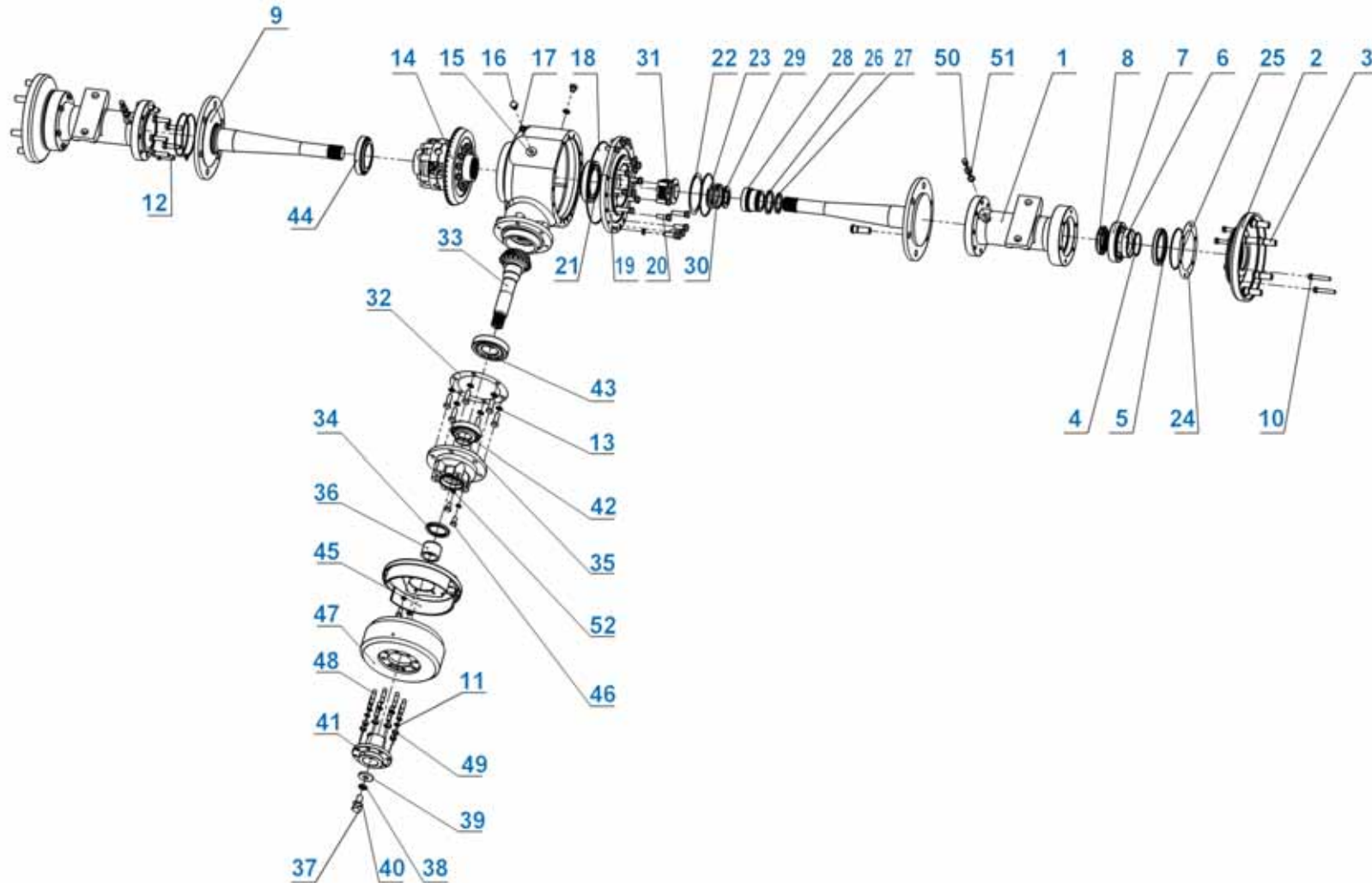
Item	Part Number	Part Name	Quantity	Remark
26	012350 125310A	O-ring 125X3.1	2	
27		X ring 59.69X5.33	1	
28		X ring 50.17X5.33	1	
29	1230-110015-010	Piston	1	
30	004605 889109A	Thrust needle roller bearings 889109	1	
31	1230-110016-G10	Lock spring	1	
32	1230-110010-G10	Combine teeth	1	
33	1230-110006-G10	Gasket I	1	
34	1230-110002-G20	Driving spiral bevel gear shaft (short)	1	
35	034521 040265A	O-ring 40*2.65	1	
36	012350 045310A	O-ring 45*3.1	1	
37	005783 160402A	Hexagon head bolts full thread M16x40-10.9	1	
38	000093 000161A	Standard elastic washer 16	1	
39	1230-110011-010	Gasket	1	
40	1230-110014-G10	Gasket II	1	
41	000297 030308A	Tapered roller bearings 30308	1	
42	1230-110007-010	Spacer I	1	
43	138711 05508008	Oil seal 55X72X8	1	
44	008941 000401A	Circlip for shaft 40	1	
45	000297 030310A	Tapered roller bearings 30310	1	
46	000297 032015A	Tapered roller bearings 32015	1	
47	005783 100602A	Hexagon head bolts full thread M10x60-10.9	6	
48	1230-110021-G10	Vent valve M8*1	1	
49	1230-110019-G10	Screw plug M14X1.5	1	

2.4 Front axle assembly



Front axle assembly parts list

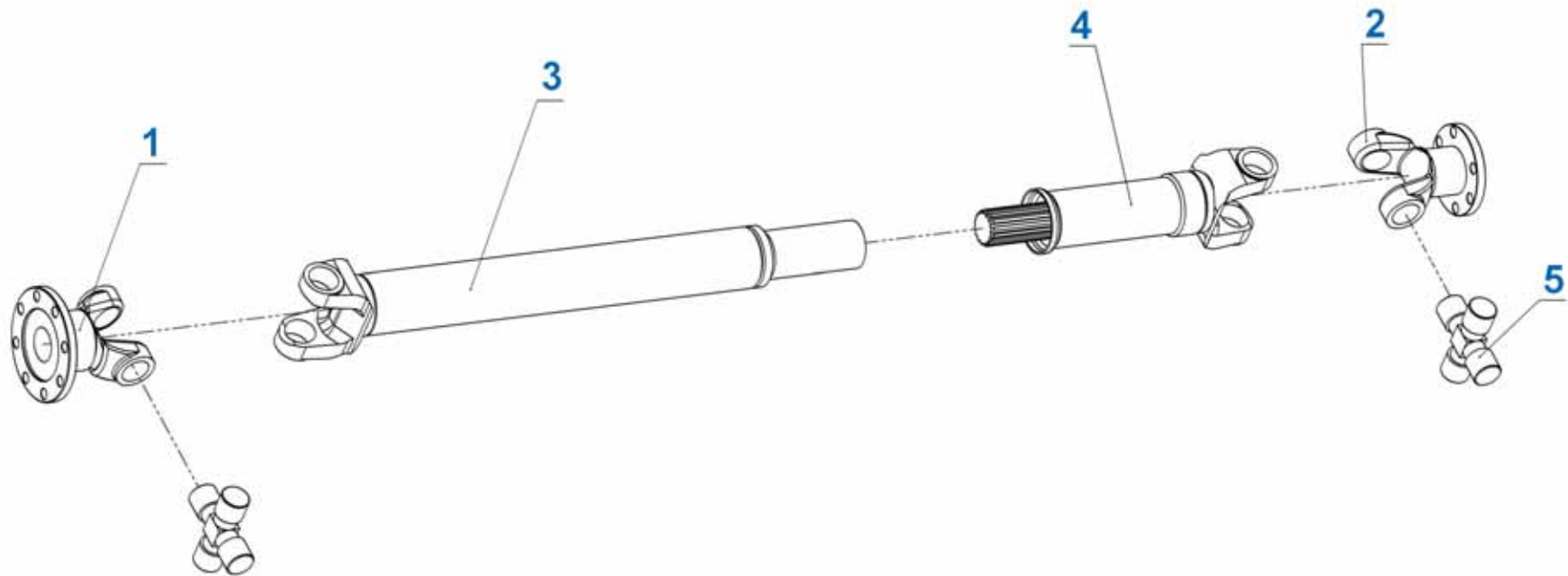
Item	Part Number	Part Name	Quantity	Remark
1	1230-110003-G10	Sleeve	2	
2	1230-110004-G10	Thimble seat	2	
3	1020-111007-G00	Rim bolt	12	
4	034521 650355A	O-ring 65*3.55	2	
5	138711 08511012	Oil seal FB-85-110-12	2	
6	1230-110008-010	Spacer II	2	
7	000276 006213A	Deep groove ball bearing 6213	2	
8	1230-110018-G10	Nut M65X1.5	2	
9	1230-110005-G10	Half shaft	2	
10	005783 100602A	Hexagon head bolts full thread M10×60-10.9	12	
11	000093 000101A	Standard elastic washer 10	24	
12	005783 120453A	Hexagon head bolts full thread M12×45-12.9	16	
13	000093 000121A	Standard elastic washer 12	36	
14	1230-112000-020	Differential assembly (two speed)	1	
15	1230-110001-G10	Differential housing (rear)	1	
16	001000 000141A	Hexagon plug M14*1.5	3	
17	000982 000014A	Combined sealing gasket 14	5	
18	012350 240310A	O-ring 240*3.1	1	
19	1230-110009-G10	Bearing cap	1	
20	005783 120353A	Hexagon head bolts full thread M12×35-12.9	20	
21	000297 032016A	Tapered roller bearings 32016	1	
22	1230-110012-G10	Adjusting washer I	1	
23	012350 130310A	O-ring 130X3.1	3	
24	1230-110013-G1	Gasket II	3	
25	012350 125310A	O-ring 125X3.1	2	



Front axle assembly parts list

Item	Part Number	Part Name	Quantity	Remark
26		X ring 59.69X5.33	1	
27		X ring 50.17X5.33	1	
28	1230-110015-010	Piston	1	
29	004605 889109A	Thrust needle roller bearings 889109	1	
30	1230-110016-G10	Lock spring	1	
31	1230-110010-G10	Combine teeth	1	
32	1230-110006-G10	Gasket I	1	
33	1230-120004-G20	Driving spiral bevel gear shaft (long double speed)	1	
34	138711 05507208	Lip seal FB type 55*72*8	1	
35	034521 040265A	O ring 40*2.65	1	
36	1230-120005-010	Spacer III	1	
37	005783 160402A	Hexagon head bolts full thread M16x40-10.9	1	
38	000093 000161A	Standard elastic washer 16	1	
39	1230-110011-010	Washer	1	
40	1230-110014-G10	Adjusting washer II	1	
41	1230-120003-G10	Connection sleeve	1	
42	000297 030308A	Tapered roller bearings 30308	1	
43	000297 030310A	Tapered roller bearings 30310	1	
44	000297 032015A	Tapered roller bearings 32015	1	
45	1230-121000-G20	Hand brake assembly	1	
46	005783 100202A	Hexagon head bolts full thread M10x20-10.9	4	
47	1230-120002-G20	Brake hub	1	
48	1230-120006-010	Double-ended stud	8	
49	006170 010001A	Hex nuts M10	8	
50	1230-110021-G10	Vent valve M8*1	2	
51	1230-110019-G10	Screw plug M14X1.5	2	
52	1230-120001-G10	Connecting seat	1	

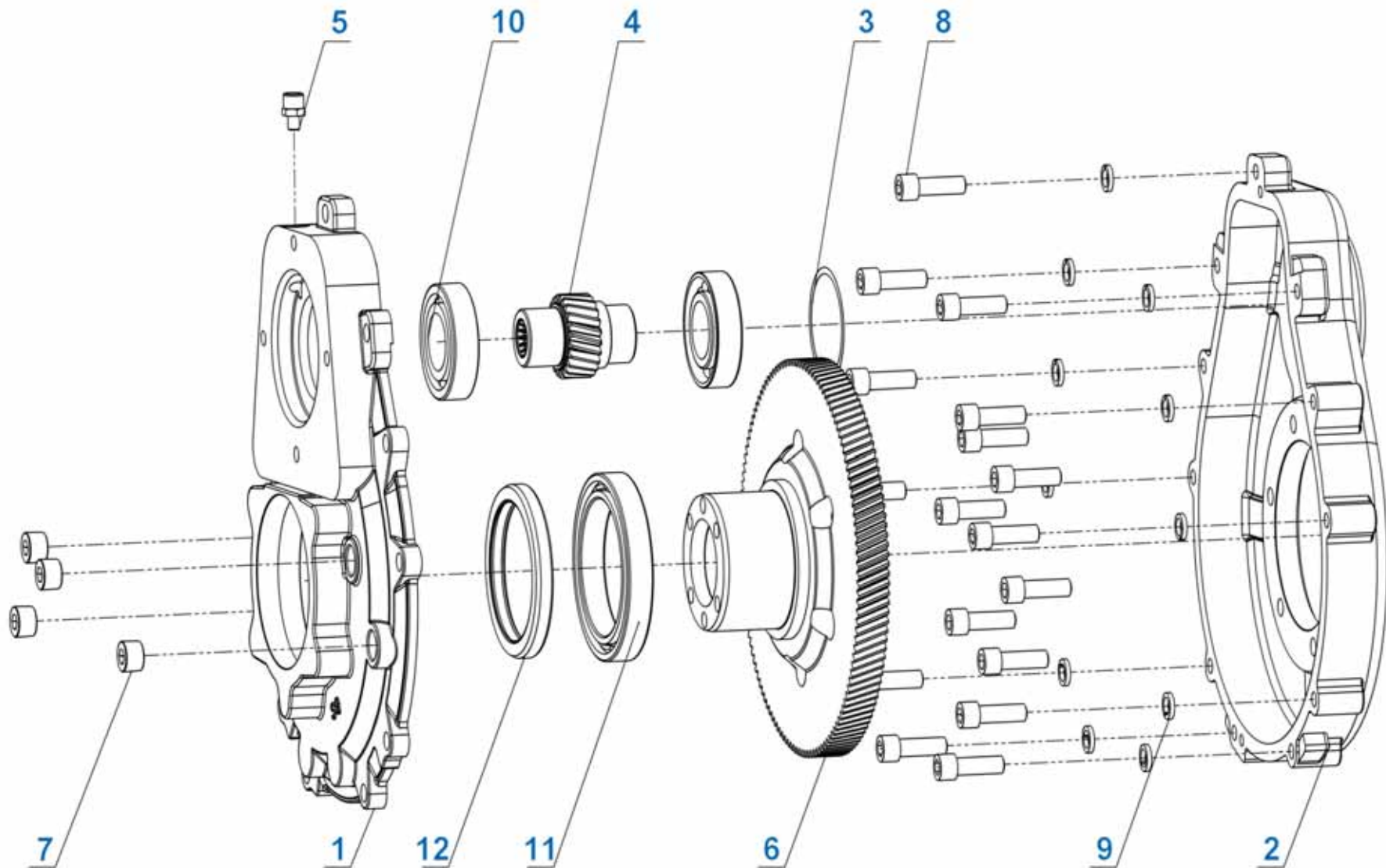
2.5 Transmission axle assembly



Transmission axle assembly list

Item	Part Number	Part Name	Quantity	Remark
1	1230-101200-000	Flange end (25QF)	1	
2	1230-101100-000	Flange end	1	
3	830-101300-100	Spline sleeve shaft end	1	
4	1230-101400-000	Short half shaft	1	
5	1230-101500-000	Cross shaft assembly	2	

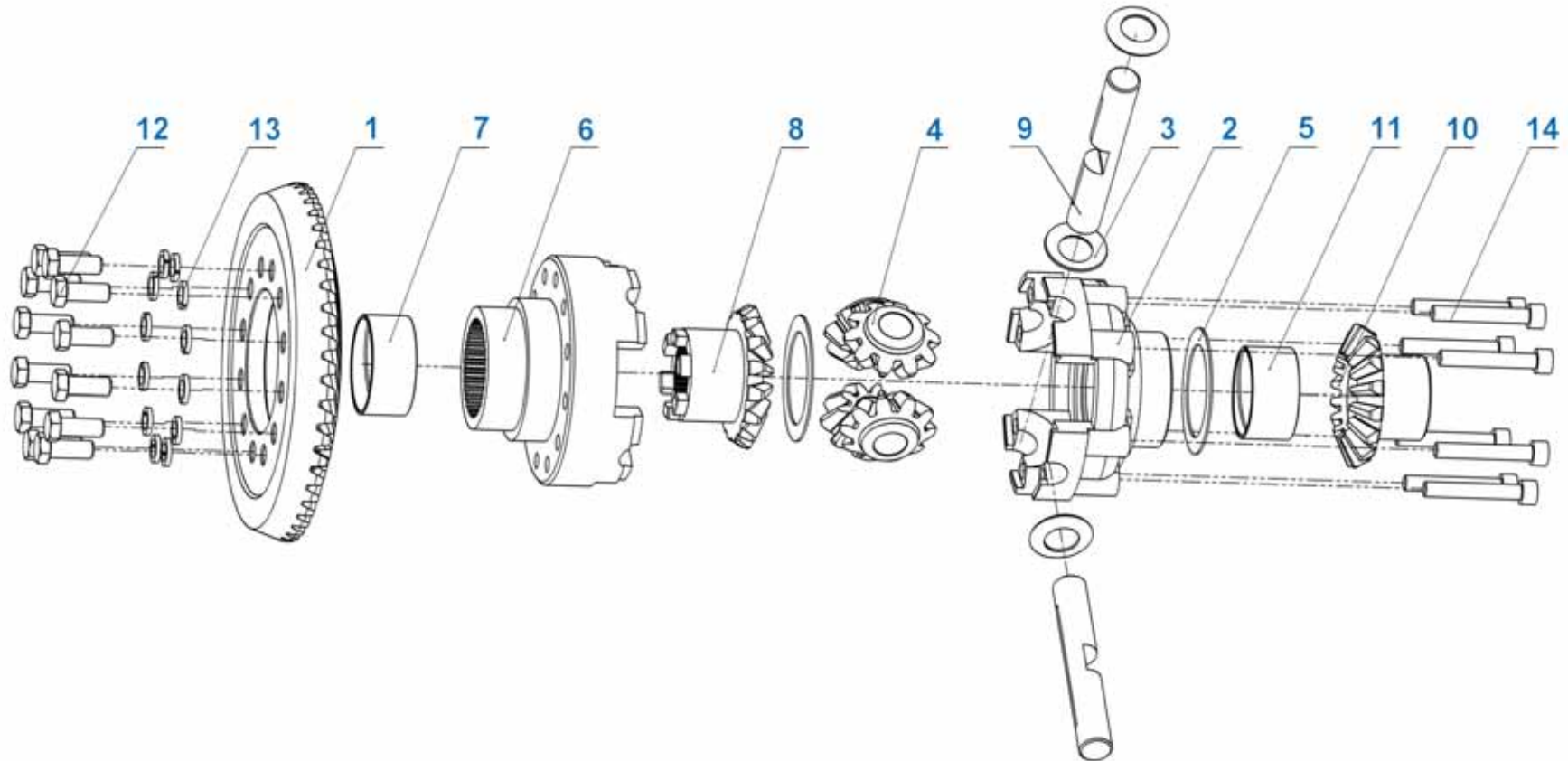
2.6 Reducer assembly



Reducer assembly parts list

Item	Part Number	Part Name	Quantity	Remark
1	1230-111001-010	Reducer cover	1	
2	1230-111002-010	Reducer housing	1	
3	1230-111005-G10	Reducer bearing adjusting gasket	1	
4	1230-111003-G10	Reducer driving gear	1	
5	1230-110021-G10	Vent valve M8*1	1	
6	1230-111004-G10	Reducer driven gear	1	
7	E30000 210011	Screw plug R 1/2	4	
8	000701 120351A	Hexagon socket head screw M12×35-8.8	17	
9	000093 000121A	Standard elastic washer 12	11	
10	000292 7208ACA	Angular contact ball bearings 7208AC	2	
11	000276 061919A	Deep groove ball bearing 61919	1	
12	138711 09512012	Skeleton seal FB-95-120-12	1	

2.7 Differential assembly

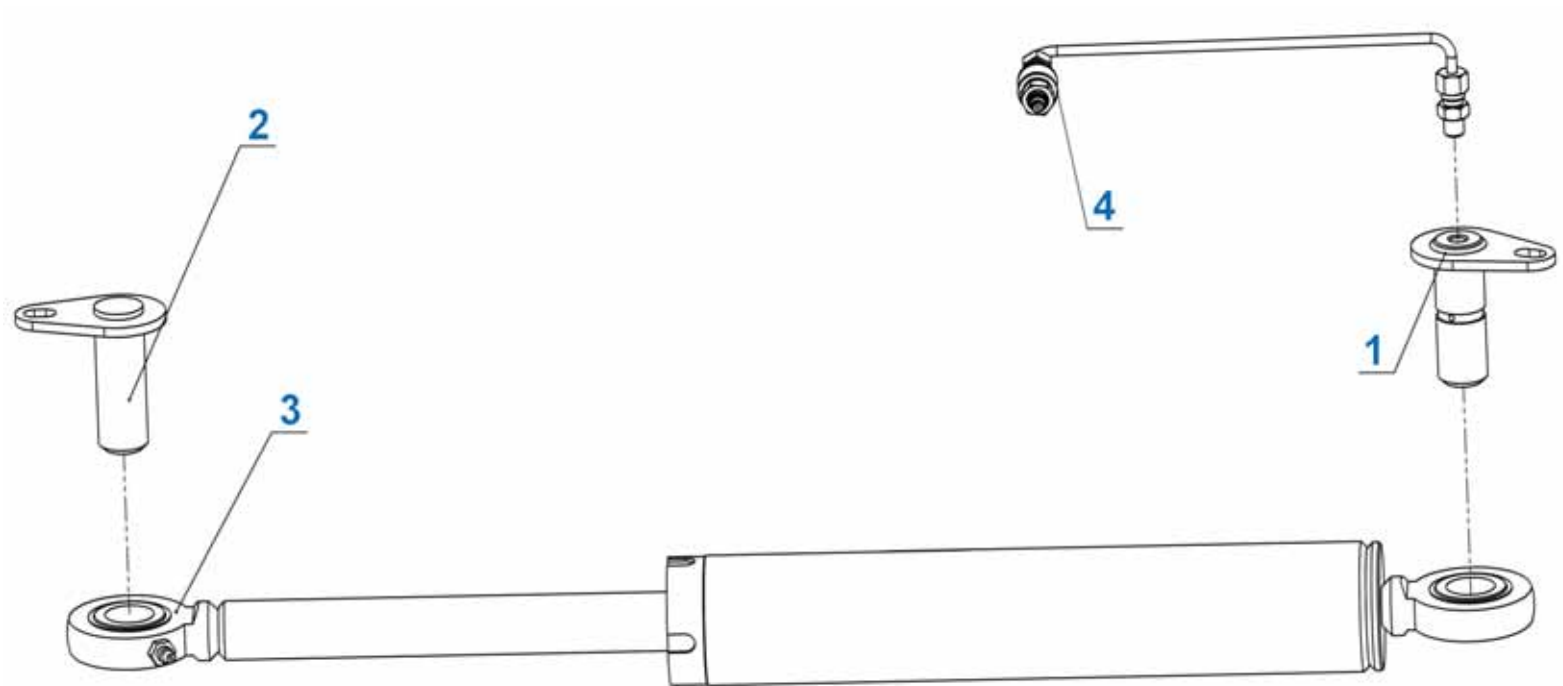


Differential assembly parts list

Item	Part Number	Part Name	Quantity	Remark
1	1230-112006-G20	Driven spiral bevel gear (two speed)	1	
2	1230-112001-G10	Left shell	1	
3	1230-112007-G10	Planetary Gear Gasket	4	
4	1230-112005-G10	Planetary Gear Gasket	4	
5	1230-112008-G10	Axle shaft gear gasket	2	
6	1230-112002-G10	Right shell	1	
7	1230-112011-G10	Axle shaft gear bushing II	1	
8	1230-112009-G10	Axle gear II	1	
9	1230-112004-G10	Differential pin	2	
10	1230-112003-G10	Axle gear I	1	
11	1230-112010-G10	Axle shaft gear bushing I	1	
12	005783 120302A	Hexagon head bolts full thread M12×30-10.9	12	
13	000093 000121A	Standard elastic washer 12	12	
14	000701 100653A	Hexagon socket head screw M10×65-12.9	8	

3. STEERING SYSTEM

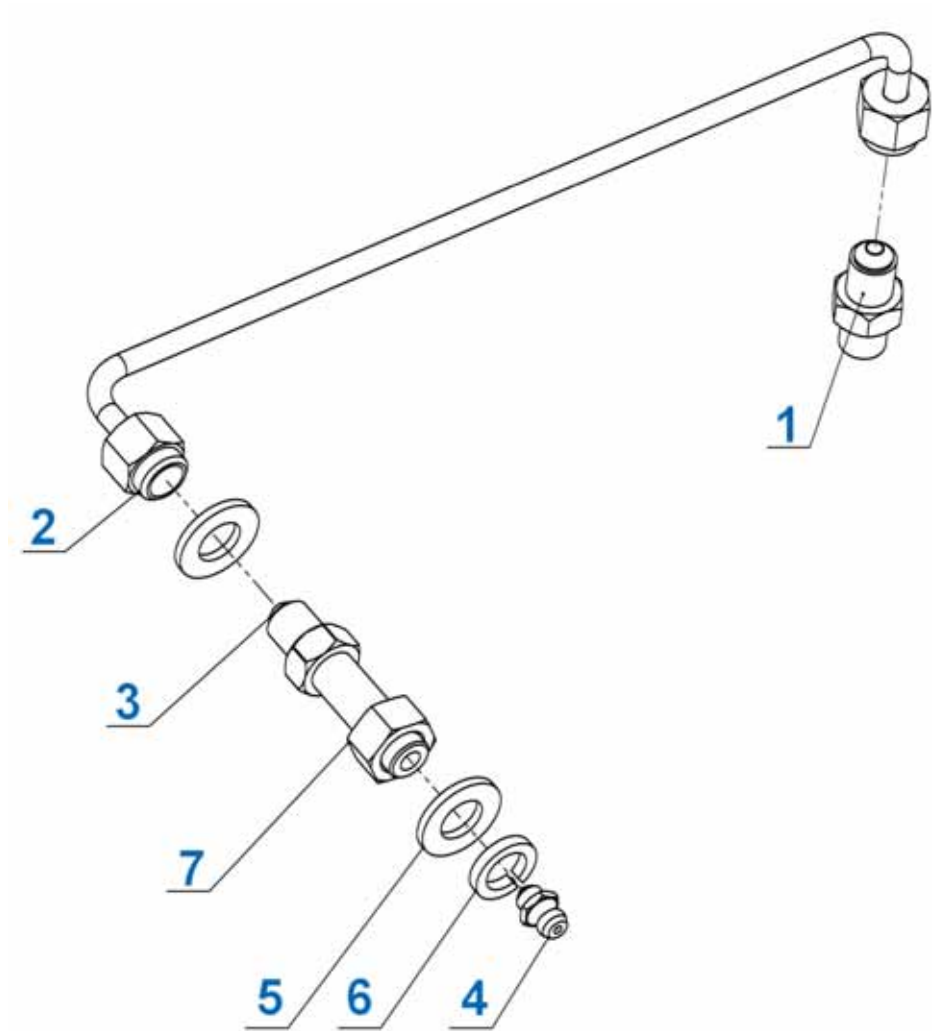
3.1 Pin assembly



Pin assembly parts list

Item	Part Number	Part Name	Quantity	Remark
1	1130-200200-000	Pin assembly	1	
2	1130-200100-000	Pin assembly	1	
3	1230-201000-G00	Steering cylinder	1	
4	1130-650000-000	Add grease connecting pipe	1	

3.2 Grease connecting pipe

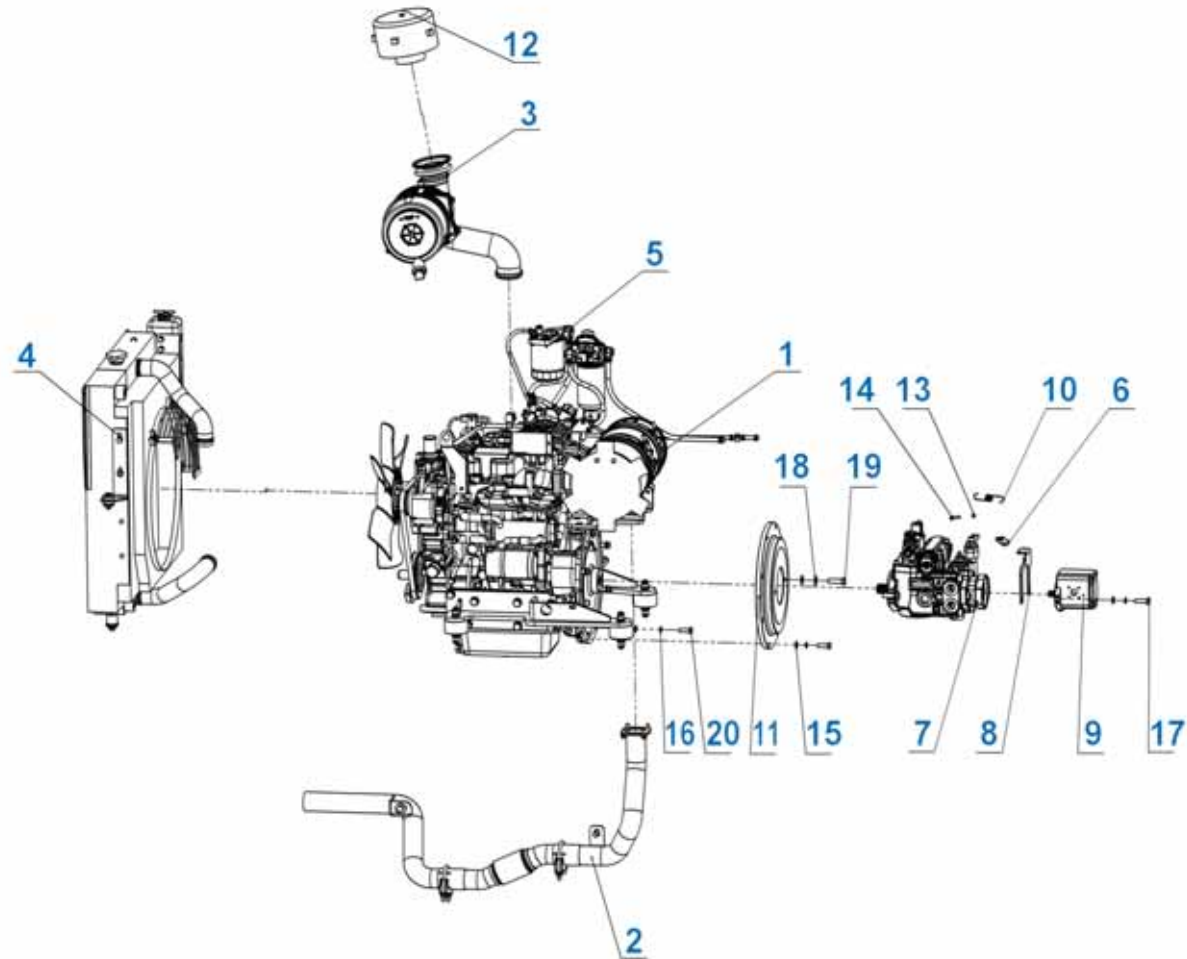


Grease connecting pipe parts list

Item	Part Number	Part Name	Quantity	Remark
1	1130-650001-000	Straight joint (pin side)	1	
2	1130-650100-000	Tube assembly	1	
3	1130-650002-000	Straight joint (refueling end)	1	
4	079401 006101A	Straight-through pressure oil cup M6x1.0	1	
5	000971 000101A	Flat washer 10	2	
6	000093 000101A	Standard elastic washer 10	1	
7	006170 010001A	Hex nut M10	1	

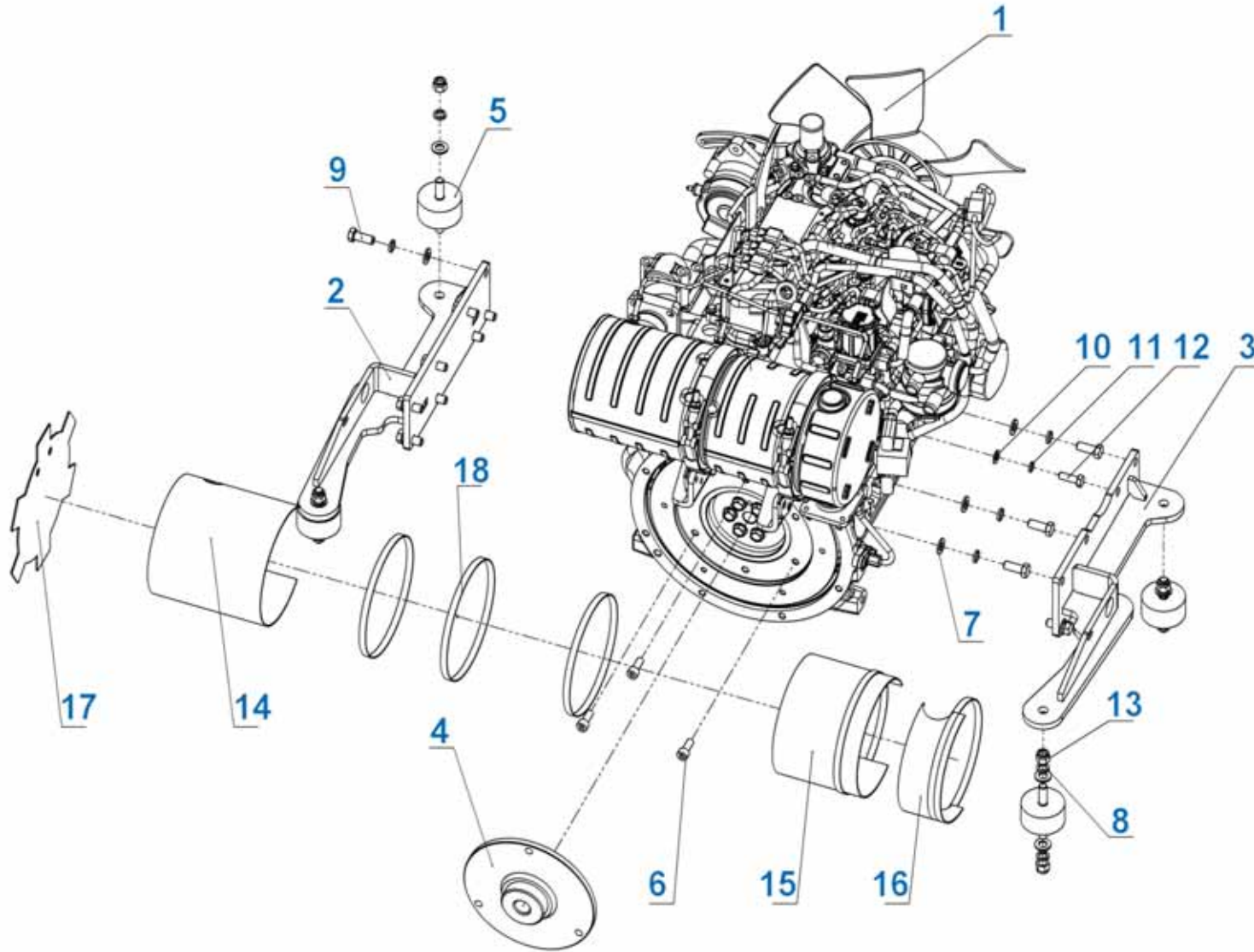
4. POWER SYSTEM

4.1 Power system mounting assembly



Power system mounting assembly parts list				
Item	Part Number	Part Name	Quantity	Remark
1	830-310000-100	Power component	1	
2	830-320000-100	Exhaust system	1	
3	830-330000-100	Intake part	1	
4	830-340000-100	Cooling system	1	
5	830-350000-100	Fuel System	1	
6	1230-700004-000	Swing arm	1	
7	1230-302000-G00	Plunger pump	1	
8	1130-700003-000	Travel switch support	1	
9	850-303000-G00	Gear pump CBTFB-F420-AF	1	
10	1130-100006-001	Inching pull-off spring	1	
11	850-300200-000	Coupling end cover welding assembly	1	
12	K30G00 323000	Air Pre-Filter	1	
13	006170 005001A	Hex nut M5	1	
14	005783 050251A	Hexagon head bolts full thread M5×25	1	
15	000971 000101A	Flat washer 10	10	
16	000093 000101A	Standard elastic washer 10	10	
17	005783 100351A	Hexagon head bolts full thread M10×3	2	
18	000971 000121A	Flat washer 12	4	
19	005783 120401A	Hexagon head bolts full thread M12×4	2	
20	005783 100301A	Hexagon head bolts full thread M10×3	8	

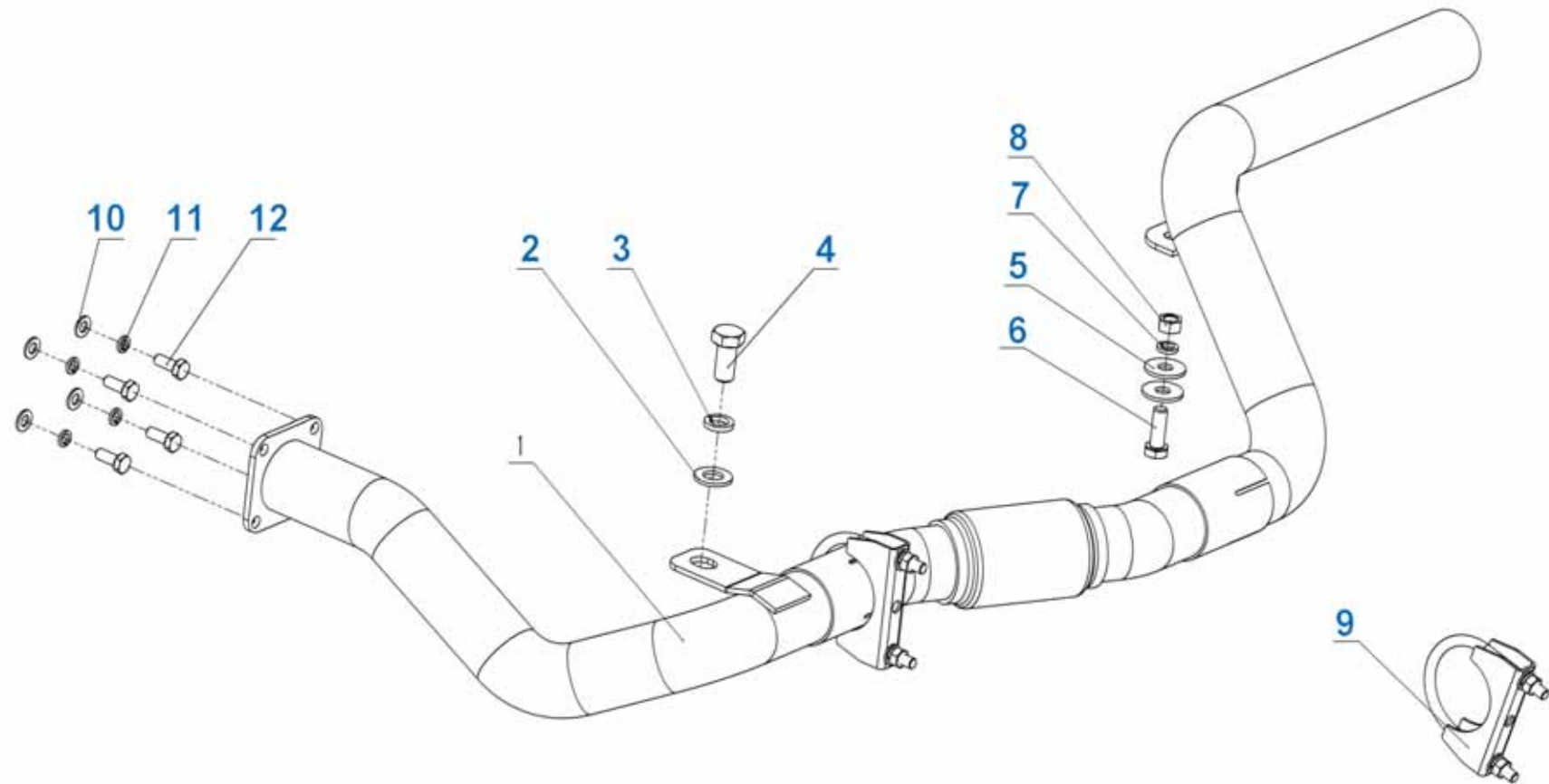
4.2 Engine components



Engine components parts list

Item	Part Number	Part Name	Quantity	Remark
1	830-310100-100	Kubota D1803 Euro V engine	1	
2	830-310700-100	Engine right foot assembly	1	
3	830-310800-100	Engine left foot assembly	1	
4	850-100700-G00	Coupling	1	
5	1130-310600-G51	Cushion	4	
6	001176 100252	Hexagon socket head screw M10*1.25*25	3	
7	000971 000121A	Flat washer 12	23	
8	000093 000121A	Standard elastic washer 12	23	
9	005786 120305A	Hexagon head bolts fine pitch full thread M12×1.25	15	
10	000971 000101A	Flat washer 10	1	
11	000093 000101A	Standard elastic washer 10	1	
12	005786 100305A	Hexagon head bolts fine pitch full thread M10×1.25	1	
13	008891 012001A	Type 1 hexagon lock nut with non-metallic insert M12	8	
14	850-300015-200	Kubota insulation board 1	1	
15	850-300016-200	Kubota insulation board 2	1	
16	850-300017-200	Kubota insulation board 3	1	
17	850-300011-100	Yanmar insulation board 1	1	
18	BXGZD 070046A	Stainless steel cable tie 700*4.6	5	

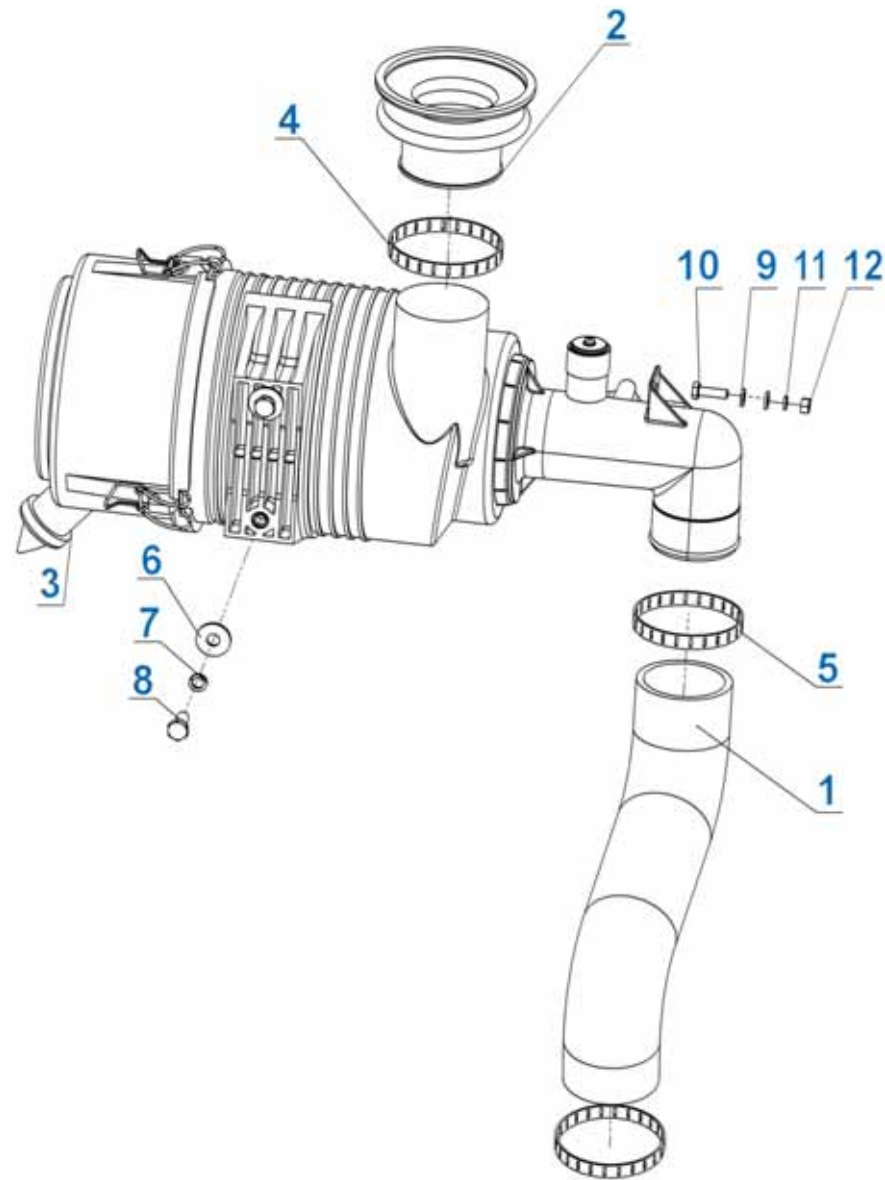
4.3 Exhaust system



Exhaust system parts list

Item	Part Number	Part Name	Quantity	Remark
1	830-320100-G10	Exhaust pipe assembly components	1	
2	000971 000141A	Flat washer 14	1	
3	000093 000141A	Standard elastic washer 14	1	
4	005786 140301A	Hexagon head bolts fine pitch full thread M14×1.5×30-8.8	1	
5	000096 100301A	Increase flat washer 10X30	2	
6	005783 100301A	Hexagon head bolts full thread M10×30-8.8	1	
7	000093 000101A	Standard elastic washer 10	1	
8	006170 010001A	Hex nut M10	1	
9	K45000 335000	Muffler clamp	2	
10	000971 000081A	Flat washer 8	4	
11	000093 000081A	Standard elastic washer 8	4	
12	005783 080201A	Hexagon head bolts full thread M8×20-8.8	4	

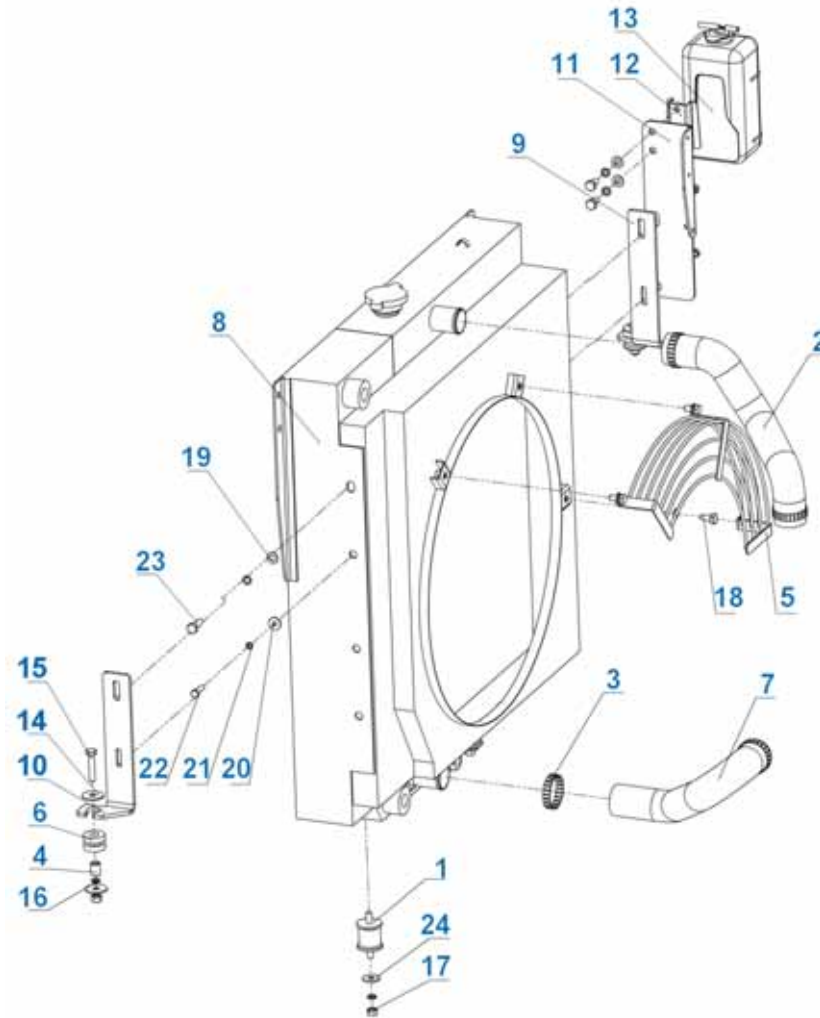
4.4 Inlet system



Inlet system parts list

Item	Part Number	Part Name	Quantity	Remark
1	850-330001-G20	Inlet pipe (2403)	1	
2	850-300002-000	Air filter inlet pipe	1	
3	1K81911012	Air filter	1	
4	S00075	Double steel wire clamp 75	1	
5	S00072	Double steel wire clamp 72	2	
6	000096 080241A	Increase flat washer 8X24	2	
7	000093 000081A	Standard elastic washer 8	2	
8	005783 080201A	Hexagon head bolts full thread M8×20-8.8	2	
9	000971 000061A	Flat washer 6	2	
10	005783 060201A	Hexagon head bolts full thread M6×20-8.8	1	
11	000093 000061A	Standard elastic washer 6	1	
12	006170 006001A	Hex nut M6	1	

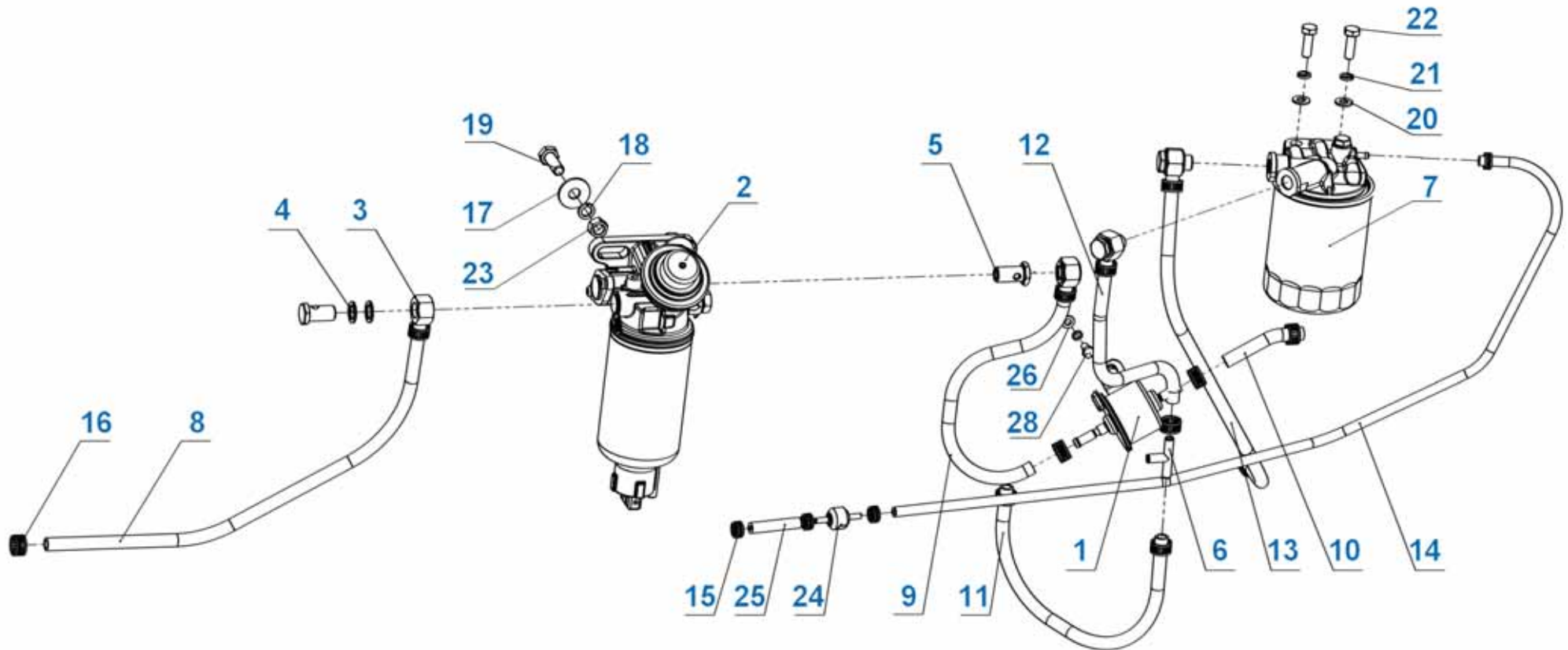
4.5 Cooling system



Cooling system parts list

Item	Part Number	Part Name	Quantity	Remark
1	1130-340001	Cushion	2	
2	850-340002-G20	Upper water pipe	1	
3	S00045	Double steel wire clamp 45	4	
4	1130-340007	Sleeve	2	
5	850-340300-000	Radiator fan cover assembly	1	
6	1130-340006	Upper radiator cushion	2	
7	850-340001-G20	Down water pipe	1	
8	850-340100-G20	Radiator assembly (Euro 5)	1	
9	1130-340004-002	Left bracket of radiator	1	
10	1130-340005-002	Right bracket of radiator	1	
11	830-400037-000	Kettle mounting bracket	1	
12	K30000 340004	Sub-radiator bracket assembly	1	
13	K30G00 345000	Sub-radiator 92638340	1	
14	000096 080301A	Increase flat washer 8X30	4	
15	005783 080401A	Hexagon head bolts full thread M8×40-8.8	2	
16	000093 000081A	Standard elastic washer 8	11	
17	006170 008001A	Hex nut M8	4	
18	005783 080161A	Hexagon head bolts full thread M8×16-8.8	5	
19	000971 000081A	Flat washer 8	4	
20	000096 060181A	Increase flat washer 6X18	2	
21	000093 000061A	Standard elastic washer 6	2	
22	005783 060251A	Hexagon head bolts full thread M6×25-8.8	2	
23	005783 080251A	Hexagon head bolts full thread M8×25-8.8	2	
24	000096 080241A	Increase flat washer 8X24	2	

4.6 Fuel system

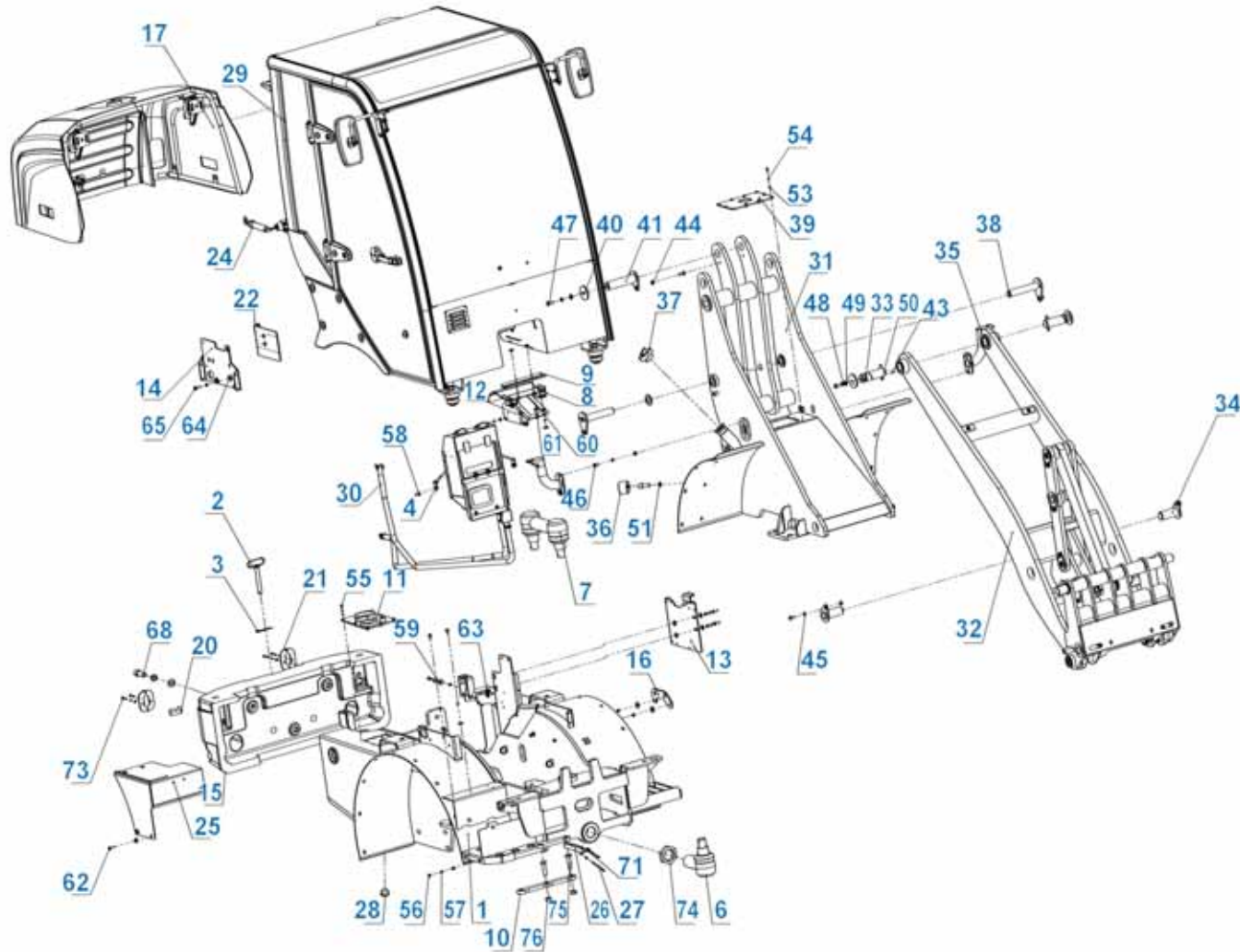


Fuel system parts list

Item	Part Number	Part Name	Quantity	Remark
1	1G63952035	Electronic pump	1	
2	1E78943351	Oil-water separator	1	
3	1540195693	Connector	4	
4	1710533682	Washer	8	
5	1654195791	Articulated joint	4	
6	830-350001-100	Copper tee ϕ 8	1	
7	1J33143012	Diesel filter	1	
8	850-350002-000	Diesel pipe 1	1	
9	830-350003-000	Diesel pipe 2	1	
10	830-350004-000	Diesel pipe 3	1	
11	830-350005-000	Diesel pipe 4	1	
12	830-350006-000	Diesel pipe 5	1	
13	830-350007-000	Diesel pipe 6	1	
14	830-350008-000	Diesel pipe 7	1	
15	008870 008012A	Stainless steel hose clamp 8-12	4	
16	008870 009016A	Stainless steel hose clamp 9-16	12	
17	000096 100301A	Increase flat washer 10X30	2	
18	000093 000101A	Standard elastic washer 10	2	
19	005783 100301A	Hexagon head bolts full thread M10x30	2	
20	000971 000081A	Flat washer 8	2	
21	000093 000081A	Standard elastic washer 8	2	
22	005783 080251A	Hexagon head bolts full thread M8x25	2	
23	006170 010001A	Hex nut M10	2	
24	1C01042461	Oil return check valve	1	
25	830-350009-000	Diesel pipe 8	1	
26	000971 000061A	Flat washer 6	2	
27	000093 000061A	Standard elastic washer 6	2	
28	005783 060121A	Hexagon head bolts full thread M6x12-8.8	2	

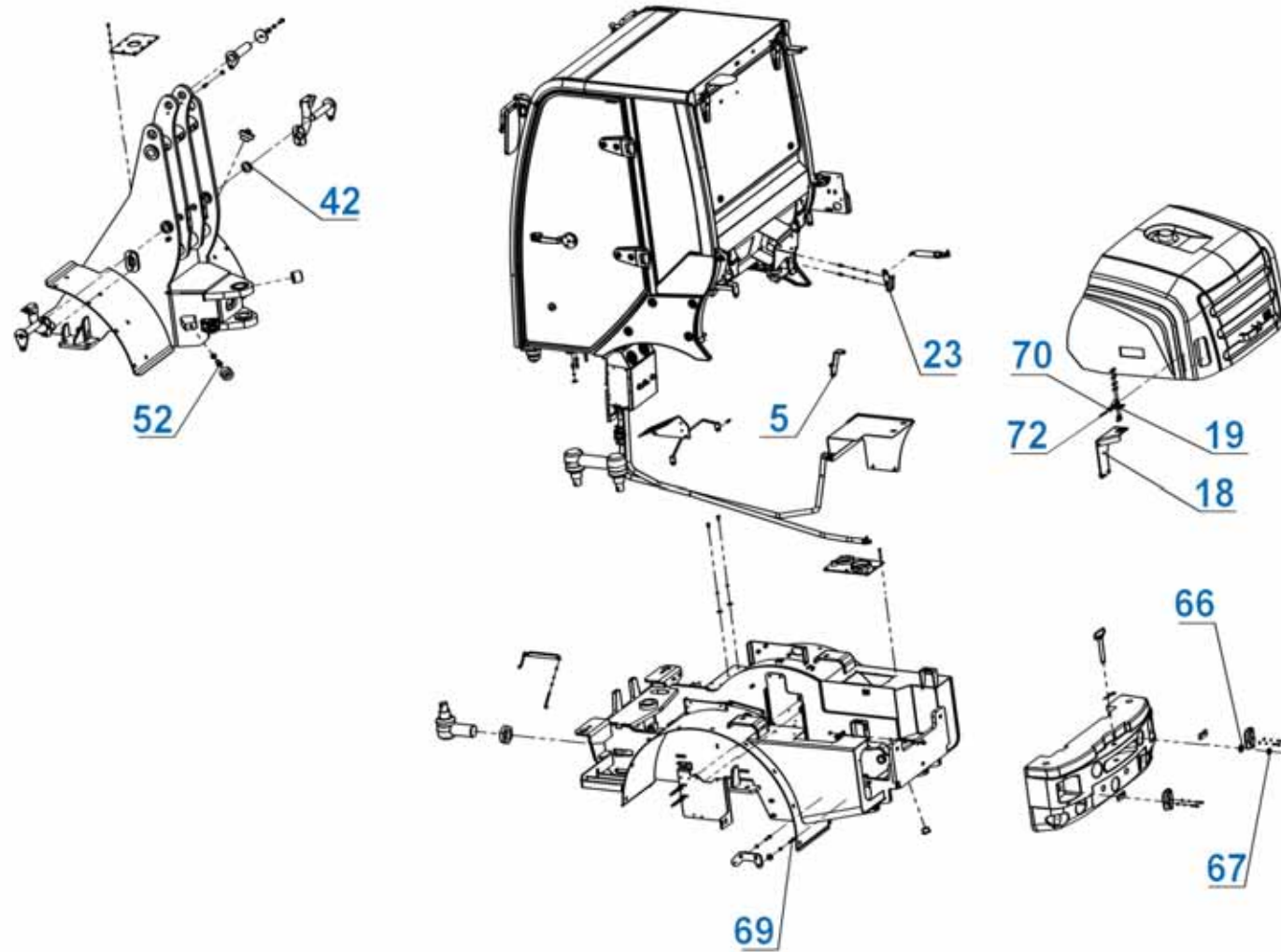
5. VEHICLE SYSTEM

5.1 Vehicle system assembly



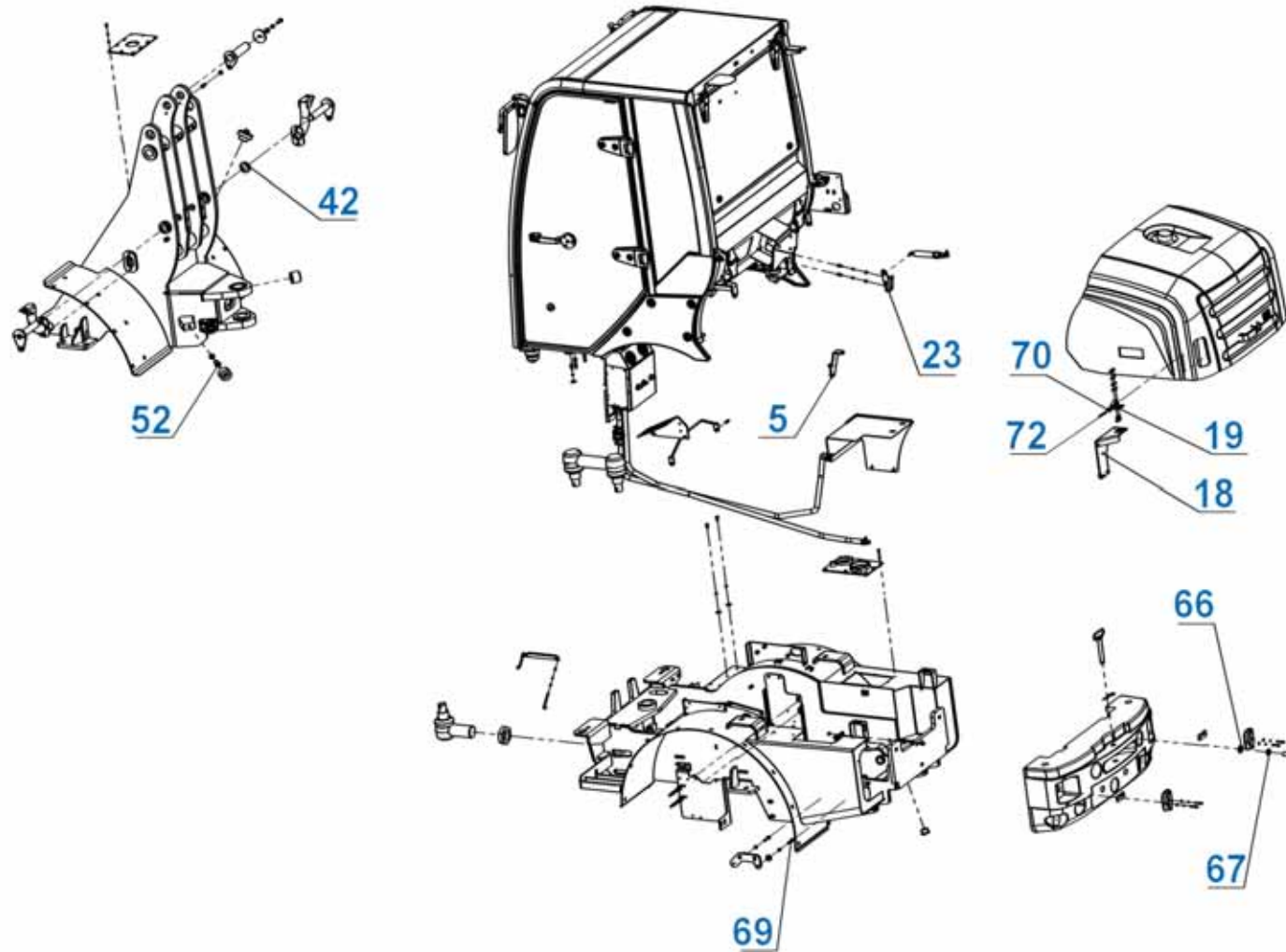
Vehicle system assembly assy parts list

Item	Part Number	Part Name	Quantity	Remark
1	830-420000-100	Rear frame welding	1	
2	1130-440900-000	Traction bolt	1	
3	1130-440010-G00	Elastic split pin (R-shaped card)	1	
4	850-400800-100	Connecting rod assembly	1	
5	850-400021-100	Brake oil cup bracket	1	
6	850-400100-G00	70 unilateral spherical hinge component	2	
7	850-400200-G00	70 bidirectional spherical hinge	2	
8	850-600800-000	Frame pipe clamp	1	
9	850-600003-000	Front pressure plate	1	
10	830-400009-100	Limit link	1	
11	830-401200-100	Hydraulic oil tank cover plate assembly	1	
12	830-400013-100	Control box mounting plate	1	
13	830-400035-100	ECU mounting bracket	1	
14	830-400014-100	Multi-way valve bracket	1	
15	850-440006-G10	Counterweight	1	
16	850-400030-200	Exhaust tail pipe seat mounting plate	1	
17	830-440000-100	Tail cover assembly components	1	
18	850-400026-100	Tail cover base mounting plate	1	
19	875-400012-000	Tail cover lock core mounting seat plate	1	
20	1130-702001-610	Taillight fixing plate	2	
21	810E-700020-000	Tail lamp holder welding	2	
22	850-400024-100	Relay mounting plate	1	
23	830-400018-100	Gas spring bracket	1	
24	830-470400-G10	Gas spring QD16-305*110*300N (with sheath)	1	
25	830-401400-100	Battery baffle assembly	1	



Vehicle system assembly parts list

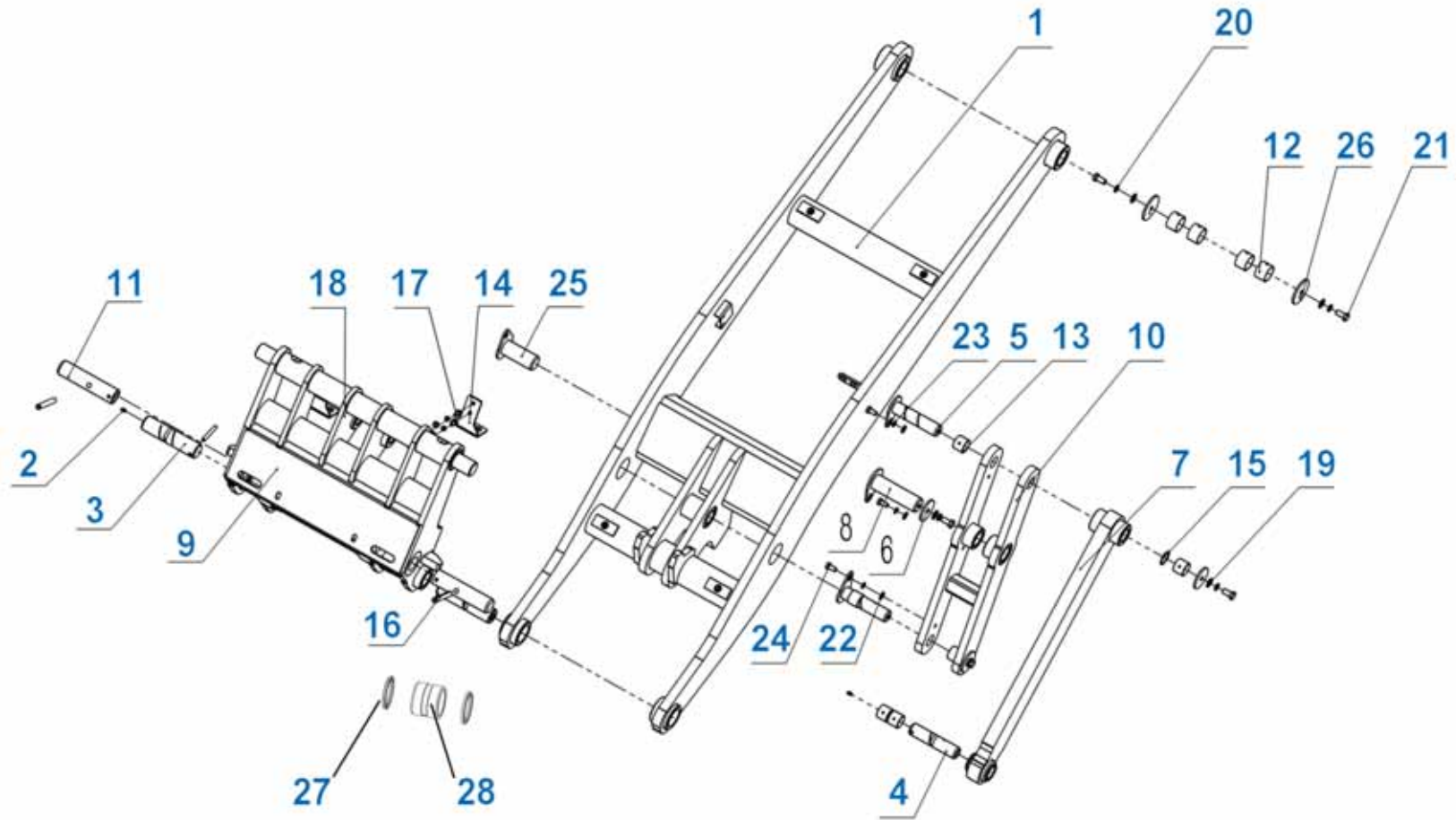
Item	Part Number	Part Name	Quantity	Remark
26	830-400017-100	Battery pressure plate	1	
27	0018-400053-010	Battery retractor	2	
28	004444 00G100A	Plug G1	2	
29	830-470000-100	Cab assembly	1	
30	830-477000-100	Heating system	1	
31	830-410000-100	Front frame (self-made bridge wide baffle)	1	
32	830-430000-100	Working equipment	1	
33	1130-410102-001	Pin shaft	2	
34	830-430200-100	Pin shaft assembly	2	
35	850-720100-000	Headlight bracket	2	
36	1130-400026-000	Steering shock absorber	2	
37	K30G00 313000	Fuel filler cap	1	
38	830-430300-010	Lifting cylinder pin assembly	2	
39	1130-410035-510	Fuel tank cover	1	
40	1130-400015-000	Gasket	3	
41	1230-410200-000	Pin shaft assembly	1	
42	830-400036-100	Lifting cylinder rear seat adjustment pad	1	
43	008791 050161A	Elastic cylindrical pin 5×16	2	
44	000971 000101A	Flat washer 10	13	
45	000093 000101A	Standard elastic washer 10	18	
46	005783 100201A	Hexagon head bolts full thread M10×20-8.8	11	
47	005783 120251A	Hexagon head bolts full thread M12×25-8.8	3	
48	000093 000121A	Standard elastic washer 12	3	
49	000971 000121A	Flat washer 12	3	
50	008791 100751A	Elastic cylindrical pin 10×75	2	



Vehicle system assembly parts list

Item	Part Number	Part Name	Quantity	Remark
51	000093 000161A	Standard elastic washer 16	2	
52	000701 160351A	Hexagon socket head screw M16×35-8.8	2	
53	000971 000061A	Flat washer 6	24	
54	000093 000061A	Standard elastic washer 6	25	
55	000702 060161A	Hexagon socket flat head screw M6X16-8.8	18	
56	000971 000081A	Flat washer 8	16	
57	000093 000081A	Standard elastic washer 8	28	
58	005783 080161A	Hexagon head bolts full thread M8×16-8.8	12	
59	000096 080241A	Increase flat washer 8X24	24	
60	005783 080201A	Hexagon head bolts full thread M8×20-8.8	4	
61	005783 100451A	Hexagon head bolts full thread M10×45	2	
62	005783 080251A	Hexagon head bolts full thread M8×25-8.8	12	
63	006170 008001A	Hex nut M8	12	
64	000096 100301A	Increase flat washer 10X30	5	
65	005783 100251A	Hexagon head bolts full thread M10×25-8.8	3	
66	000971 000201A	Flat washer 20	3	
67	000093 000201A	Standard elastic washer 20	3	
68	000701 200551A	Hexagon socket head screw M20×55-8.8	3	
69	005783 100351A	Hexagon head bolts full thread M10×35-8.8	2	
70	000096 060181A	Increase flat washer 6X18	2	
71	006170 006001A	Hex nut M6	4	
72	000701 060701A	Hexagon socket head screw M6×70-8.8	1	
73	000701 060351A	Hexagon socket head screw M6×35-8.8	4	
74	850-400007-000	Hexagon Thin Nut M56X1.5	1	
75	005783 160601A	Hexagon head bolts full thread M16×60-8.8	2	
76	006170 016001A	Hex nut M16	2	

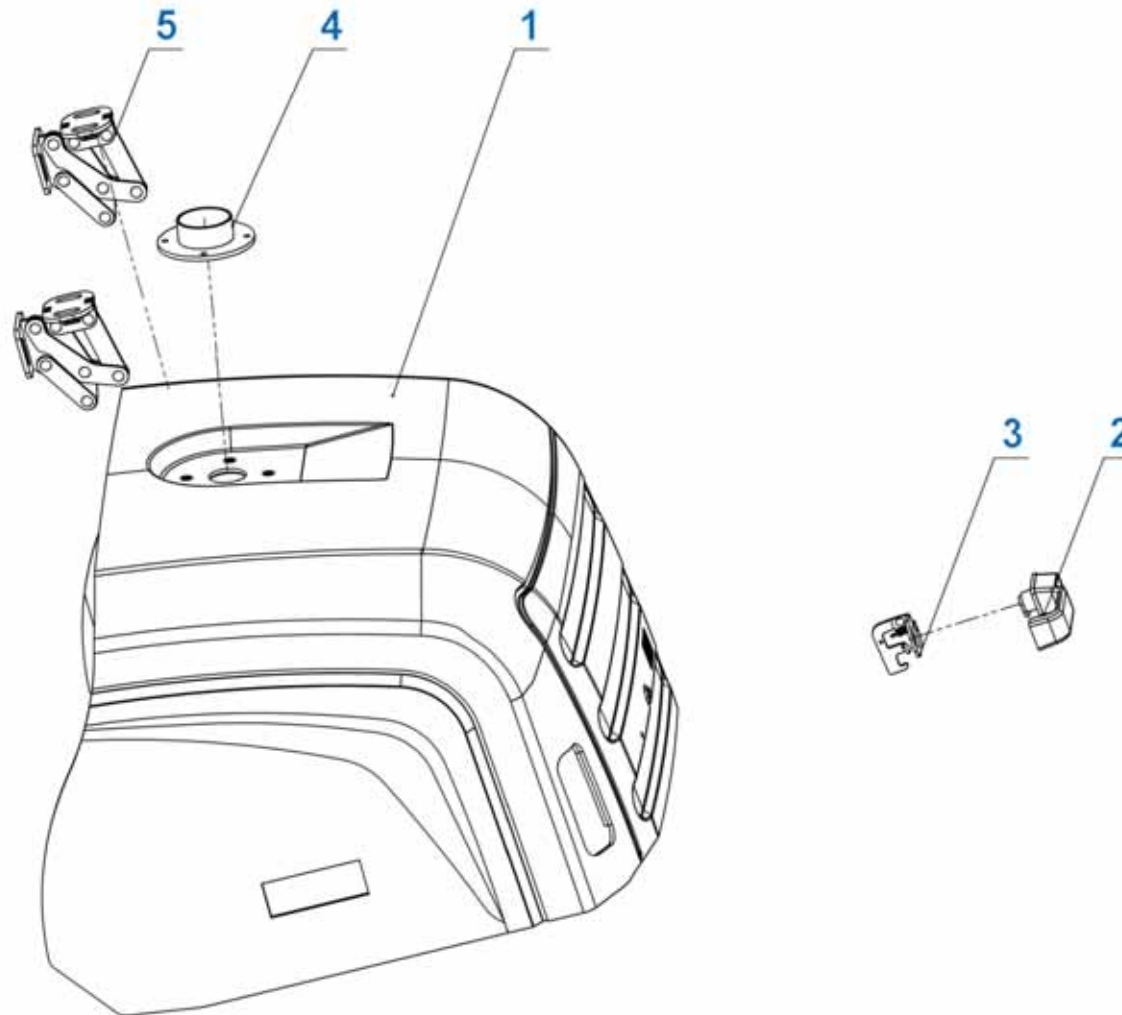
5.2 Working device



Working device parts list

Item	Part Number	Part Name	Quantity	Remark
1	830-431000-100	Arm assembly	1	
2	079401 006101A	Straight-through pressure oil cup M6x1.0	9	
3	830-400016-100	Swing arm hook connecting pin	2	
4	1130-400016-001	Pin shaft	1	
5	1130-430200-001	Pin shaft assembly	2	
6	1130-400012-000	Gasket	3	
7	1230-435000-001	Connecting rod assembly	1	
8	1130-430300-001	Pin shaft assembly	1	
9	830-432000-100	Quickhitch assembly	1	
10	1230-433000-002	Crank arm assembly	1	
11	1130-400014-000	Pin shaft	2	
12	1130-431011-000	Steel back bearing 40X44X30	4	
13	1130-431012-000	Steel back bearing 32X36X30	6	
14	1130-430003-502	Tubing mounting plate	2	
15	008951 000351A	Wire retaining ring for hole 35	2	
16	008791 121001A	Elastic cylindrical pin 12x100	2	
17	005783 080161A	Hexagon head bolts full thread M8x16-8.8	4	
18	008791 080601A	Elastic cylindrical pin 8x60	3	
19	000971 000121A	Flat washer 12	5	
20	000093 000121A	Standard elastic washer 12	5	
21	005783 120251A	Hexagon head bolts full thread M12x25-8.8	5	
22	000971 000101A	Flat washer 10	4	
23	000093 000101A	Standard elastic washer 10	4	
24	005783 100201A	Hexagon head bolts full thread M10x20-8.8	4	
25	830-430200-100	Pin shaft assembly	1	
26	1130-400015-000	Gasket	2	
27	138711 04005004	Oil seal 40*50*4	4	
28	850-430003-000	Graphite copper sleeve 40*50*42	2	

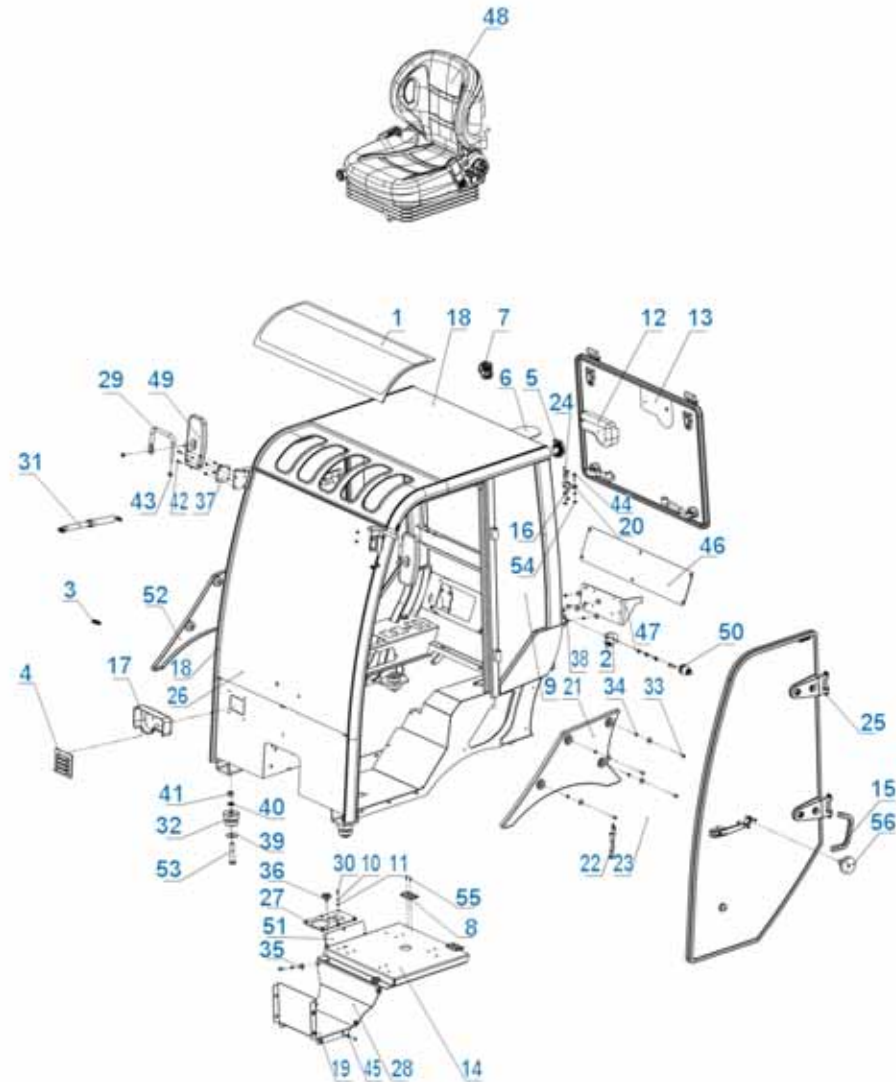
5.3 Rear bonnet assembly



Rear bonnet assembly parts list

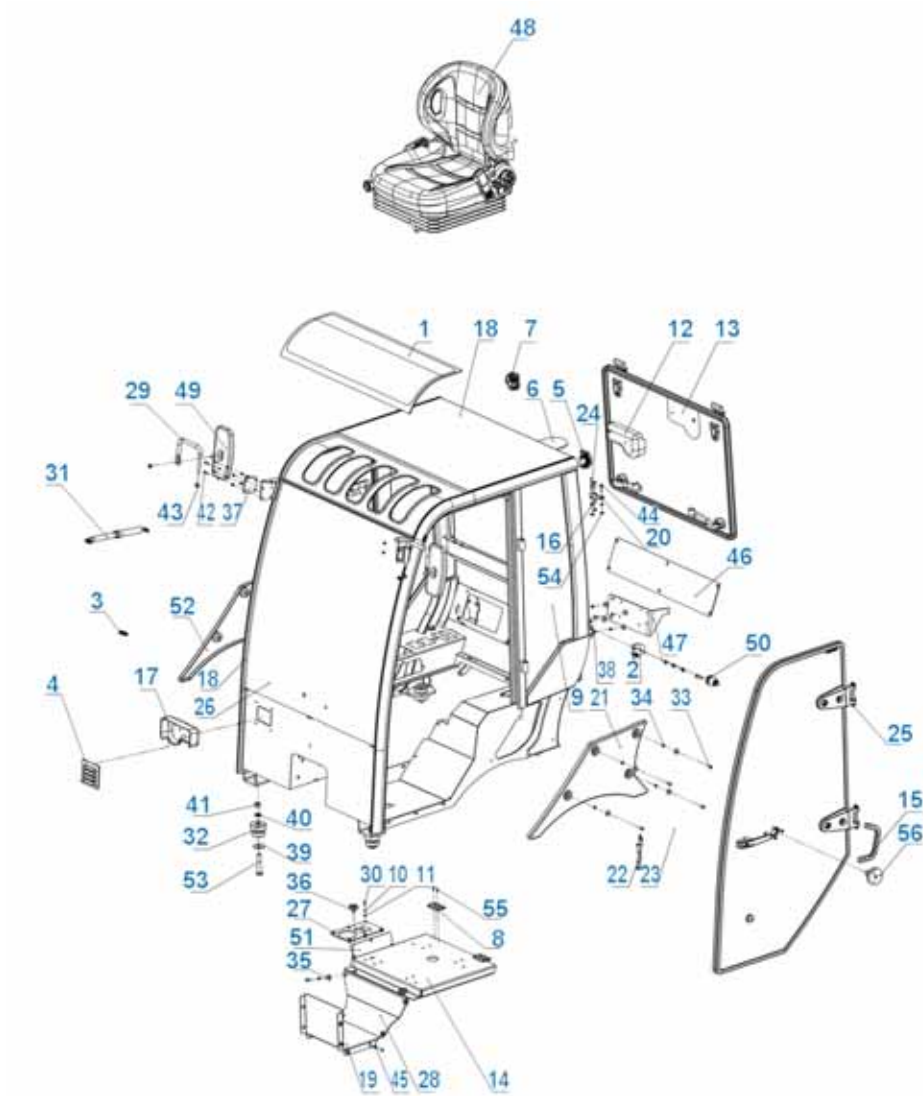
Item	Part Number	Part Name	Quantity	Remark
1	830-440500-G10	Rear bonnet	1	
2	810-445600-538	Handle	1	
3	850-440600-538	Shackle assembly	1	
4	850-300100-000	Air filter mount assembly	1	
5	850-445200-100	Hood hinge	2	

5.4 Cab assembly



Cab assembly parts list

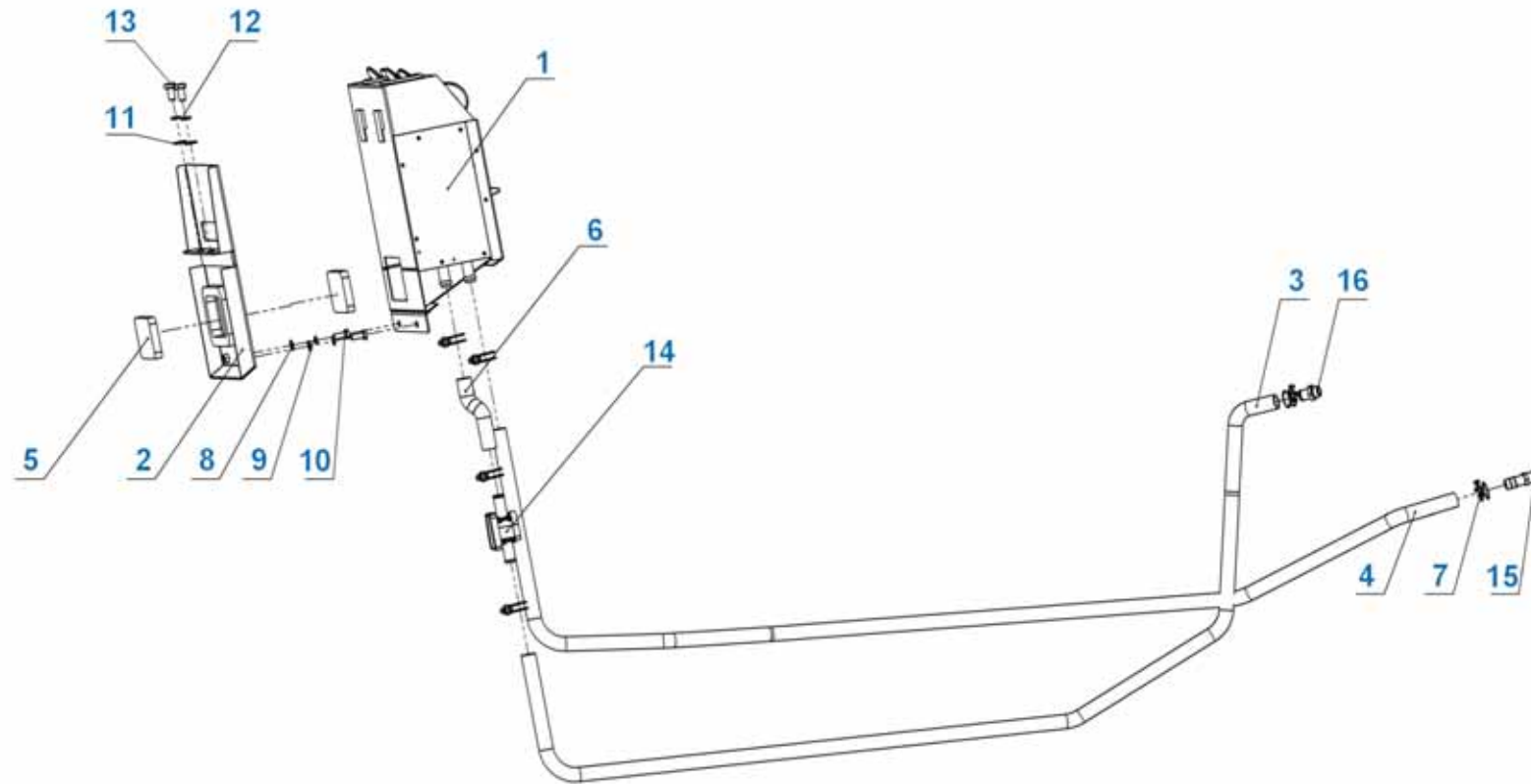
Item	Part Number	Part Name	Quantity	Remark
1	1230-470001-200	Cover glass ceiling	1	
2	1230-470005-500	Lock core support plate	2	
3	1230-470010-000	Outlet guard ring	2	
4	HDY-A	Louvered air outlet	1	
5	K30000 540004	Special-shaped square tube decorative cover (left)	1	
6	810-440012-000	Warning light bracket	1	
7	K30000 540008	Special-shaped square tube decorative (right)	1	
8	850-470009-G00	Hinge	3	
9	820-470002-300	Rear side window	1	
10	000093 000061A	Standard elastic washer 6	32	
11	000971 000061A	Flat washer 6	10	
12	3.2204E+11	Wiper sheath	2	
13	820-474000-300	Rear window assembly	1	
14	820-475000-300	Seat mounting plate welding	1	
15	850-470018-300	Car handle	1	
16	006170 008001A	Hex nut M8	4	
17	3.2204E+11	Wiper sheath	1	
18	830-471000-100	Cab welding	1	
19	850-476001-300	Cover plate	1	
20	850-470019-300	Window post mounting plate	2	
21	830-470005-101	Left side panel of cab	1	
22	850-478100-000	Left door movable lock	1	
23	850-471170-000	Left door fixed lock	1	
24	850-470020-300	542-2 car window buckle column	2	
25	850-472000-300	Left door assembly	1	
26	750699000098	front windshield	1	
27	850-400017-000	Multi-way valve cover	1	
28	850-479000-300	Baffle welding	1	



Cab assembly parts list

Item	Part Number	Part Name	Quantity	Remark
29	1230-470005-000	Mirror bracket	2	
30	000702 060161A	Hexagon socket flat head screw M6X16-8.8	29	
31	1230-470400-G00	Seat gas spring QB19-335*70*400N	1	
32	1130-440800-000	Cab shock absorber assembly	4	
33	000702 080202A	Hexagon socket flat head M8X20-10.9	8	
34	000093 000081A	Standard elastic washer 8	22	
35	000096 080241A	Increase flat washer 8X24	16	
36	1130-440500-G00	Wing bolt M8*20	2	
37	1230-470006-000	Support	1	
38	005783 080202A	Hexagon head bolts full thread M8×20-10.9	10	
39	000096 160501A	Increase flat washer 16X50	4	
40	000971 000161A	Flat washer 16	2	
41	006170 016001A	Hex nut M16	2	
42	005783 060201A	Hexagon head bolts full thread M6×20-8.8	8	
43	008891 010001A	Type 1 hexagon lock nut with non-metallic insert M10	2	
44	005783 080251A	Hexagon head bolts full thread M8×25-8.8	4	
45	000096 060181A	Increase flat washer 6X18	14	
46	830-470011-100	Seal plate	1	
47	830-470007-100	Air filter bracket	1	
48	BF2-3AB	Cushion seat	1	
49	1130-440700-G00	Back mirror	2	
50	1140-440600-003	Door latch seat assembly	2	
51	820-470006-300	Seal plate	1	
52	830-470005-100	Cab side panel assembly	1	
53	005786 160901A	Hexagon head bolts fine pitch full thread M16×1.5×90-8.8	2	
54	000971 000081A	Flat washer 8	14	
55	000819 050121A	Cross recessed countersunk head screws M5X12-4.8	12	
56	1140-440600-003-1	Door latch seat	1	

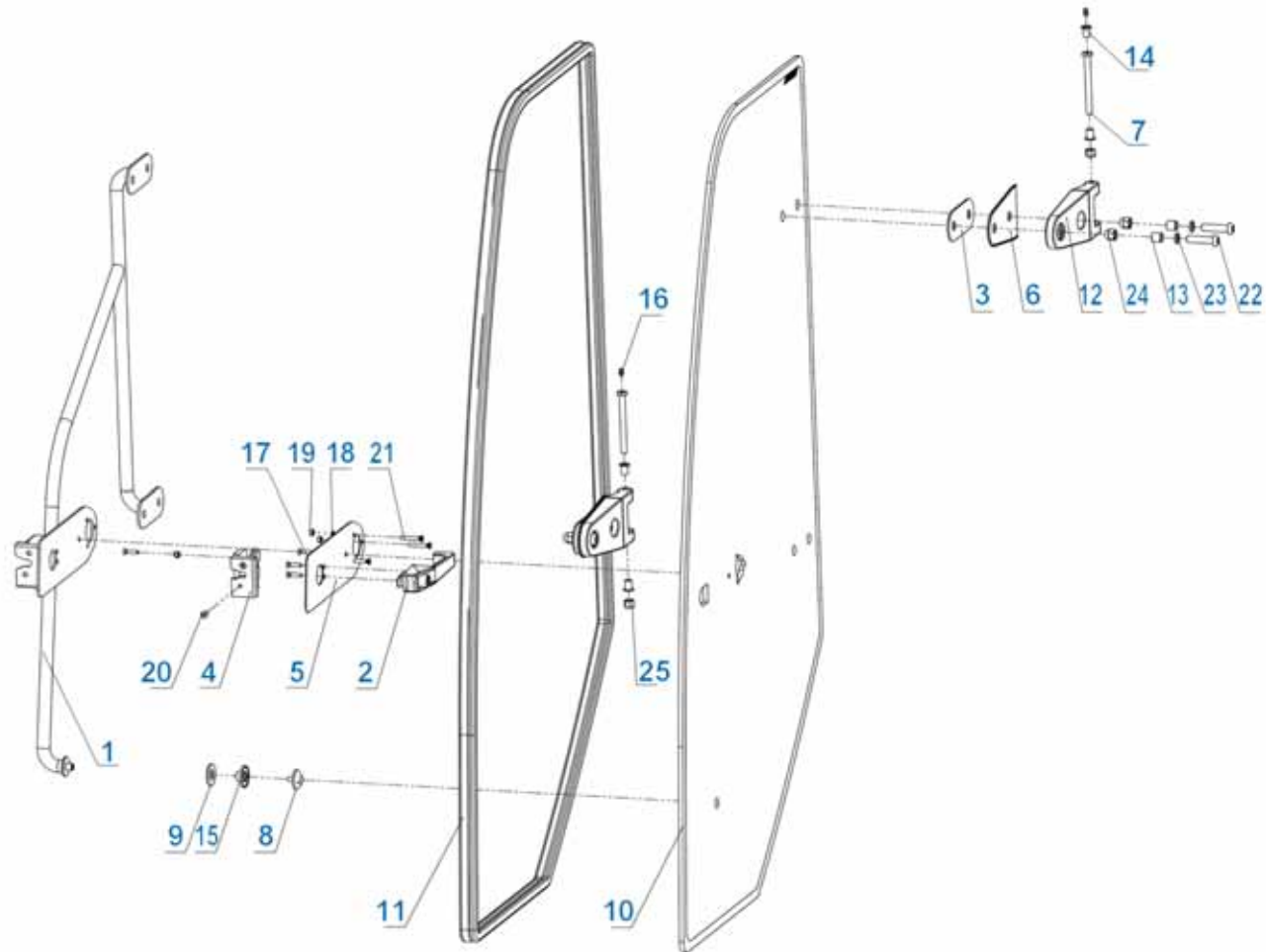
5.5 Heating system



Heating system parts list

Item	Part Number	Part Name	Quantity	Remark
1	1230-700100-G00	Heater	1	
2	850-477100-000	Heater installation board assembly	1	
3	830-477003-100	Water pipe 1	1	
4	830-477004-100	Water pipe 2	1	
5	1230-470015-500	Dust-proof sealing cotton	2	
6	850-477005-000	Water pipe 3	1	
7	S00024	Double steel wire clamp 24	6	
8	000971 000081A	Flat washer 8	2	
9	000093 000081A	Standard elastic washer 8	2	
10	005783 080201A	Hexagon head bolts full thread M8×20-8.8	2	
11	000971 000101A	Flat washer 10	2	
12	000093 000101A	Standard elastic washer 10	2	
13	005783 100201A	Hexagon head bolts full thread M10×20-8.8	2	
14	T0.83.0113	Heater water valve	1	
15	850-340006-100	Hot water pipe joint	1	
16	850-340005-200	Warm water pipe joint (Kubota Euro V)	1	

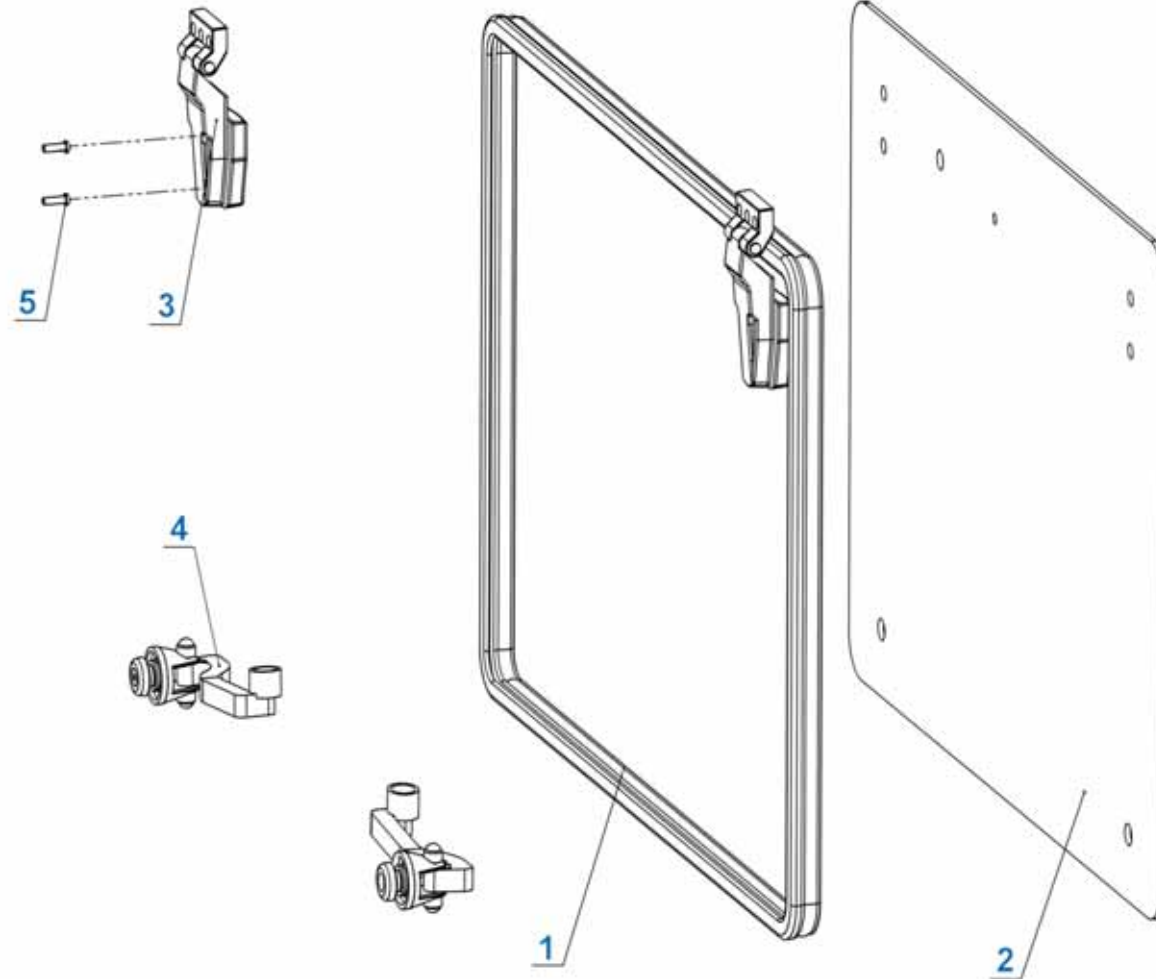
5.6 Left door assembly



Left door assembly parts list

Item	Part Number	Part Name	Quantity	Remark
1	1230-473100-500	Left door lock fixing plate assembly	1	
2	1230-470602-G00	Door lock handle	1	
3	1230-472002-000	Fixed plate rubber pad 1	2	
4	1230-470601-G00	Left lock	1	
5	1140-472004-003	Fixed plate rubber pad 2	1	
6	1140-472005-003	Cab hinge rubber pad	2	
7	1140-470402-003	Pin shaft	2	
8	K30G00 585202	Glass fixing bolt	1	
9	K30G00 580302	Fixed glass rubber pad	2	
10	850-472001-300	Side door glass	1	
11	850-472004-200	Left door sealing strip	1	
12	850-472006-300	Cab door hinge plate	2	
13	850-472005-200	Bushing	4	
14	EPB3F-10.12-17	Nylon sleeve	4	
15	1140-472006-003	Bushing 2	1	
16	079401 006101A	Straight-through pressure oil cup M6x1.0	2	
17	000819 060251A	Cross recessed countersunk head screws M6X25-8.8	4	
18	000093 000061A	Standard elastic washer 6	4	
19	006170 006001A	Hex nut M6	4	
20	000819 060161A	Cross recessed countersunk head screws M6X16-8.8	2	
21	000819 060401A	Cross recessed countersunk head screws M6X40-8.8	3	
22	000702 120502A	Hexagon socket flat head screw M12X50-10.9	4	
23	000093 000121A	Standard elastic washer 12	4	
24	000923 012001A	Cap nut M12	4	
25	008891 010001A	Type 1 hexagon lock nut with non-metallic insert M10	2	

5.7 Rear window assembly

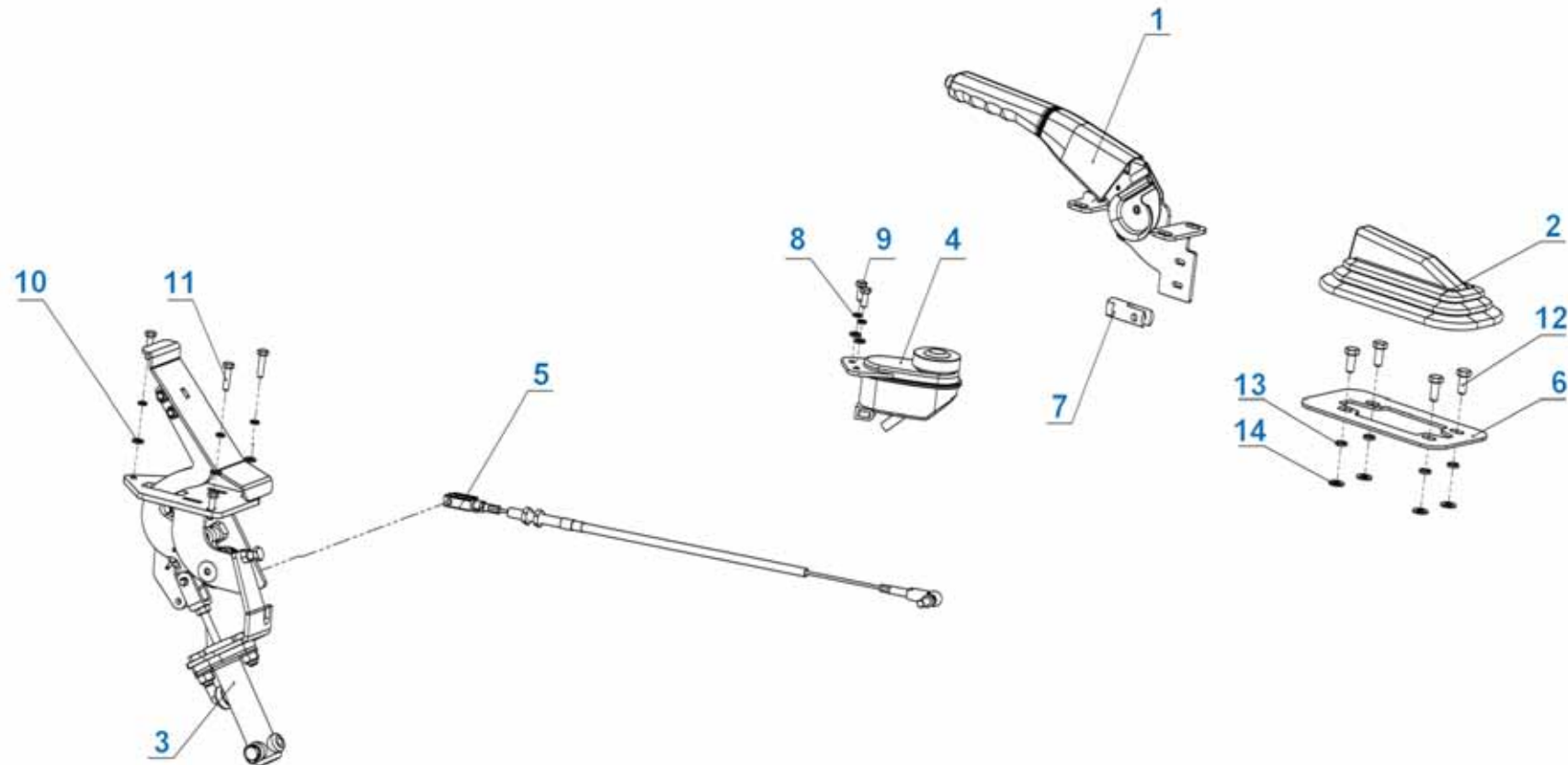


Rear window assembly parts list

Item	Part Number	Part Name	Quantity	Remark
1	875-474003-000	Rear window sealing tape	1	
2	820-470004-300	Rear window	1	
3	K30G00 585300	Rear window hinge assembly	2	
4	850-474010-000	Rear window handle assembly	1	
5	000702 060201A	Hexagon socket flat head screw M6X20-8.8	4	

6. OPERATE SYSTEM

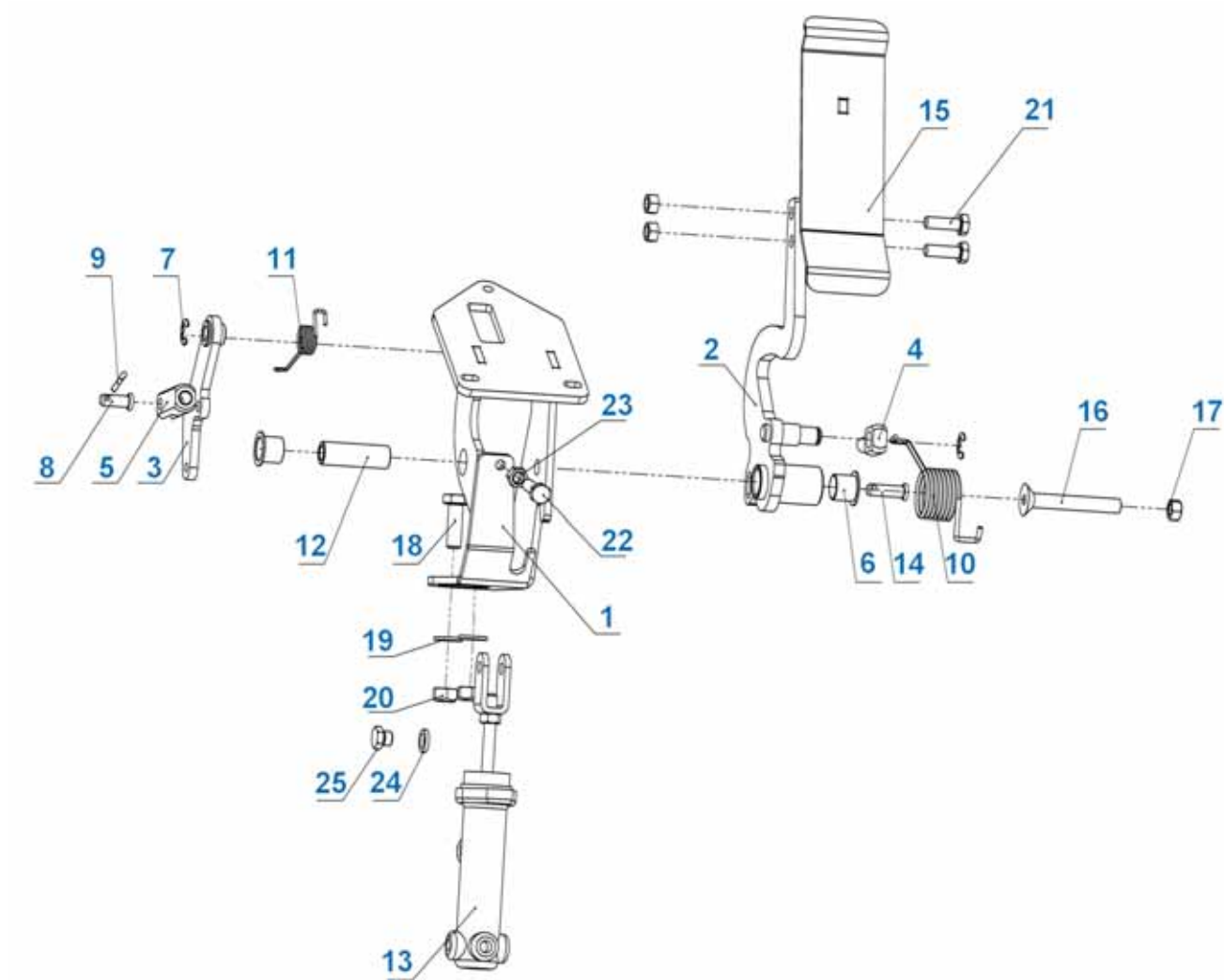
6.1 Operate System assembly



Operate System assembly parts list

Item	Part Number	Part Name	Quantity	Remark
1	1130-100400-G10	Hand brake assembly	1	
2	1130-100005-000	Hand brake dust cover	1	
3	1230-500300-500	1230 foot brake (brake pump)	1	
4	K30G00 610300	Brake oil cup	1	
5	830-100200-G10	Micro movement cable	1	
6	1130-100404-010	Plate	1	
7	QC20-590001	Parking brake connecting fork	1	
8	000093 000061A	Standard elastic washer 6	6	
9	005783 060161A	Hexagon head bolts full thread M6×16-8.8	2	
10	000971 000061A	Flat washer 6	5	
11	005783 060251A	Hexagon head bolts full thread M6×25-8.8	4	
12	005783 080201A	Hexagon head bolts full thread M8×20-8.8	4	
13	000093 000081A	Standard elastic washer 8	4	
14	000971 000081A	Flat washer 8	5	

6.2 Foot brake

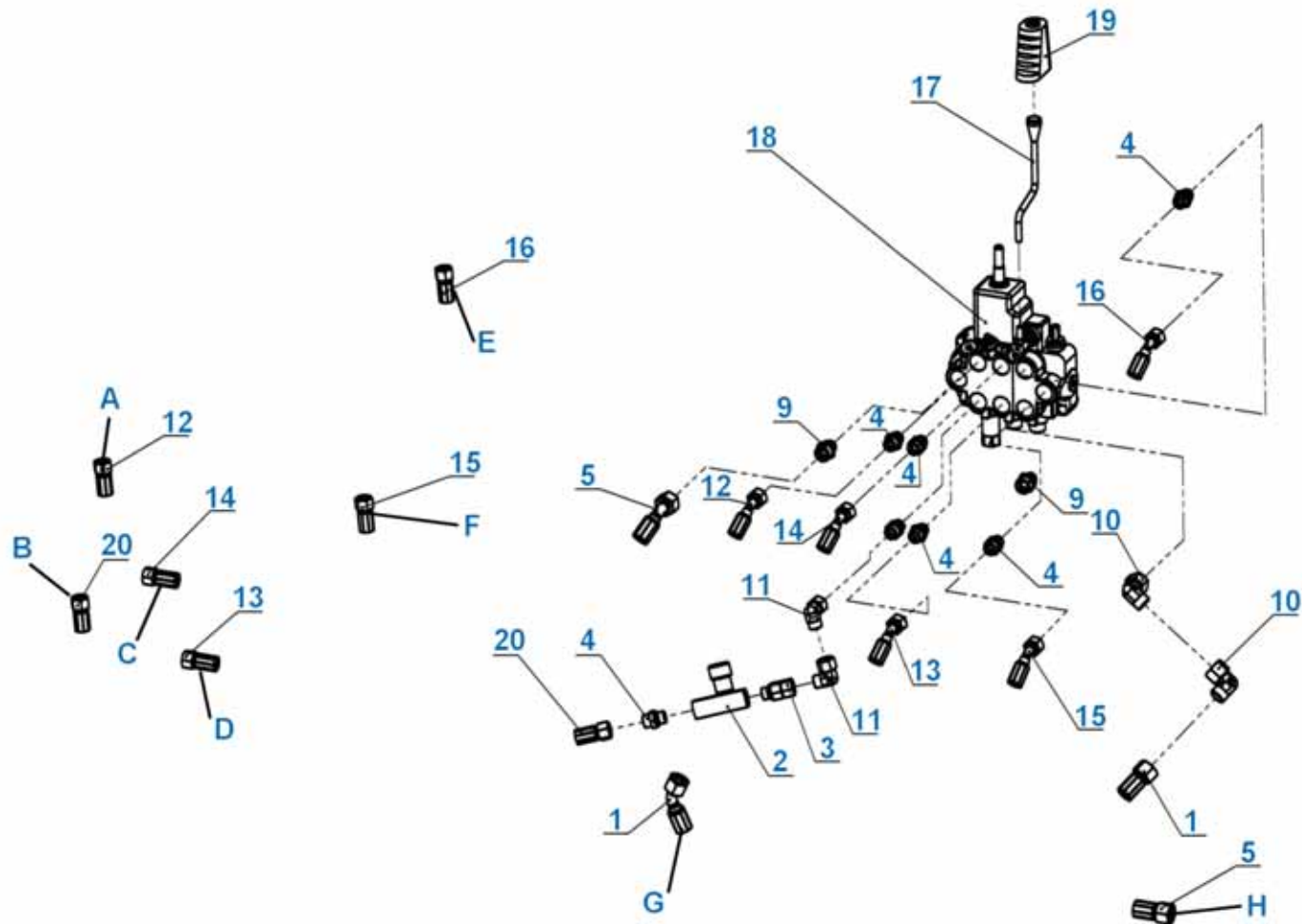


Foot brake parts list

Item	Part Number	Part Name	Quantity	Remark
1	1230-500310-500	Foot brake fixing bracket assembly	1	
2	1230-500320-500	Brake bending plate assembly	1	
3	1230-500330-500	Connecting plate assembly	1	
4	1230-500301-500	Tappet	1	
5	1230-500302-500	Tappet seat	1	
6	K30000 611005	Bushing 16160	2	
7	000896 000091A	Open retaining ring 9	2	
8	000882 080201A	Pin 8×20	1	
9	000091 030201A	Split pin 3*20	1	
10	1230-500305-G00	Brake pedal return torsion spring	1	
11	1230-500306-G00	Connection plate return torsion spring	1	
12	1230-500303-500	Shaft sleeve	1	
13	K30000 615000	Brake master cylinder assembly	1	
14	000882 080251A	Pin B type 8*25	1	
15	1230-500340-501	Pattern pedal assembly	1	
16	000703 100702A	Hexagon socket countersunk head screw M10×70-10.9	1	
17	006184 008001A	Metal hex lock nut M8	3	
18	005783 100301A	Hexagon head bolts full thread M10×30-8.8	2	
19	000971 000101A	Flat washer 10	2	
20	006184 010001A	Metal hex lock nut M10	2	
21	005783 080251A	Hexagon head bolts full thread M8×25-8.8	2	
22	005783 080301A	Hexagon head bolts full thread M8×30-8.8	1	
23	006170 008001A	Hex nut M8	1	
24	000982 000010A	Combination gasket 10	1	
25	00WWDT M10X1	Hexagonal external thread plug M10*1	1	

7. HYDRAULIC SYSTEM

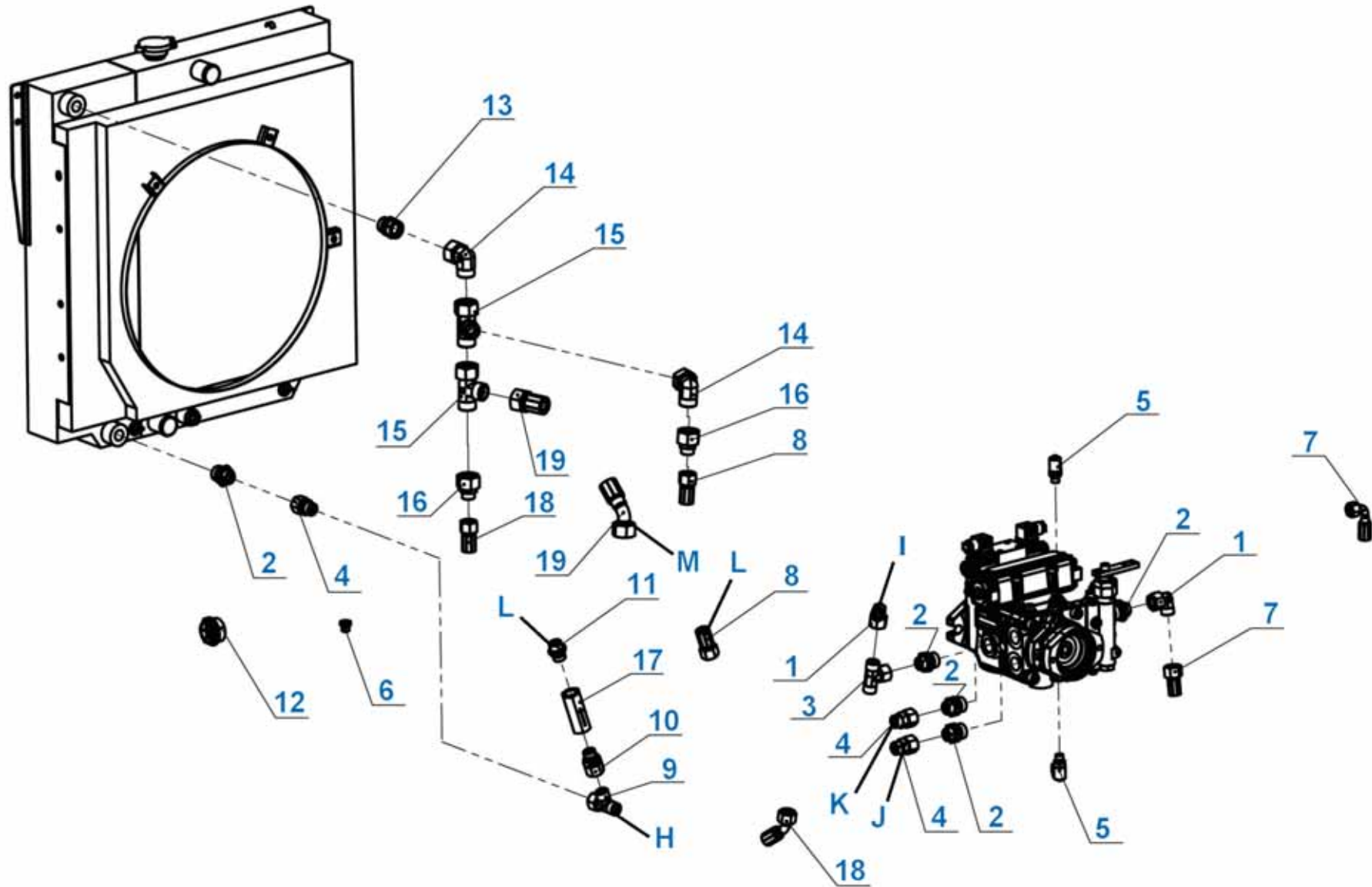
7.1 Hydraulic system 1



Hydraulic system 1 parts list

Item	Part Number	Part Name	Quantity	Remark
1	830-611200-G10	Rubber hose assy.- Steering gear EF - Main valve interface	1	
2	STU-0600	Choke valve	1	
3	0002BC 0618WDA	G3/8"to M18X1.5 (nut) straight joint	1	
4	0001CB 1806WDA	M18*1.5 to G3/8 straight joint	7	
5	830-610200-G10	Rubber hose assy.- Tee joint-Main valve interface T	1	
6	005783 080401A	Hexagon bolt full thread M8x40-8.8	3	
7	006184 008001A	Metal hexagon lock nut M8	3	
8	000971 000081A	Flat washer 8	3	
9	0001CB 2206WDA	M22*1.5 to G3/8 straight joint	2	
10	0002C9 0022WDA	M22X1.5 right angle joint adapter for internal and external thread	2	
11	0002C9 0018WDA	M18X1.5 right angle joint adapter for internal and external thread	2	
12	830-612200-G10	Rubber hose assy.- Front cross joint- Main valve interface B3	1	
13	830-612500-G10	Rubber hose assy.- Main valve interface A2- Six way valve lower left port	1	
14	830-612400-G10	Rubber hose assy.- Six way valve lower right port- Main valve interface B2	1	
15	830-611900-G10	Rubber hose assy.- Main valve interface A1- Through right side of plate	1	
16	830-611800-G10	Rubber hose assy.- Main valve interface B1- Through left side of plate	1	
17	1130-600520-G00	Handle	1	
18	1130-600500-G01	Bucher triple multiplex valve assembly	1	
19	1230-600008-G00	Handle sheath	1	
20	830-612300-G10	Rubber hose assy.- Main valve interface A3 choke valve- Valve rear cross joint	1	

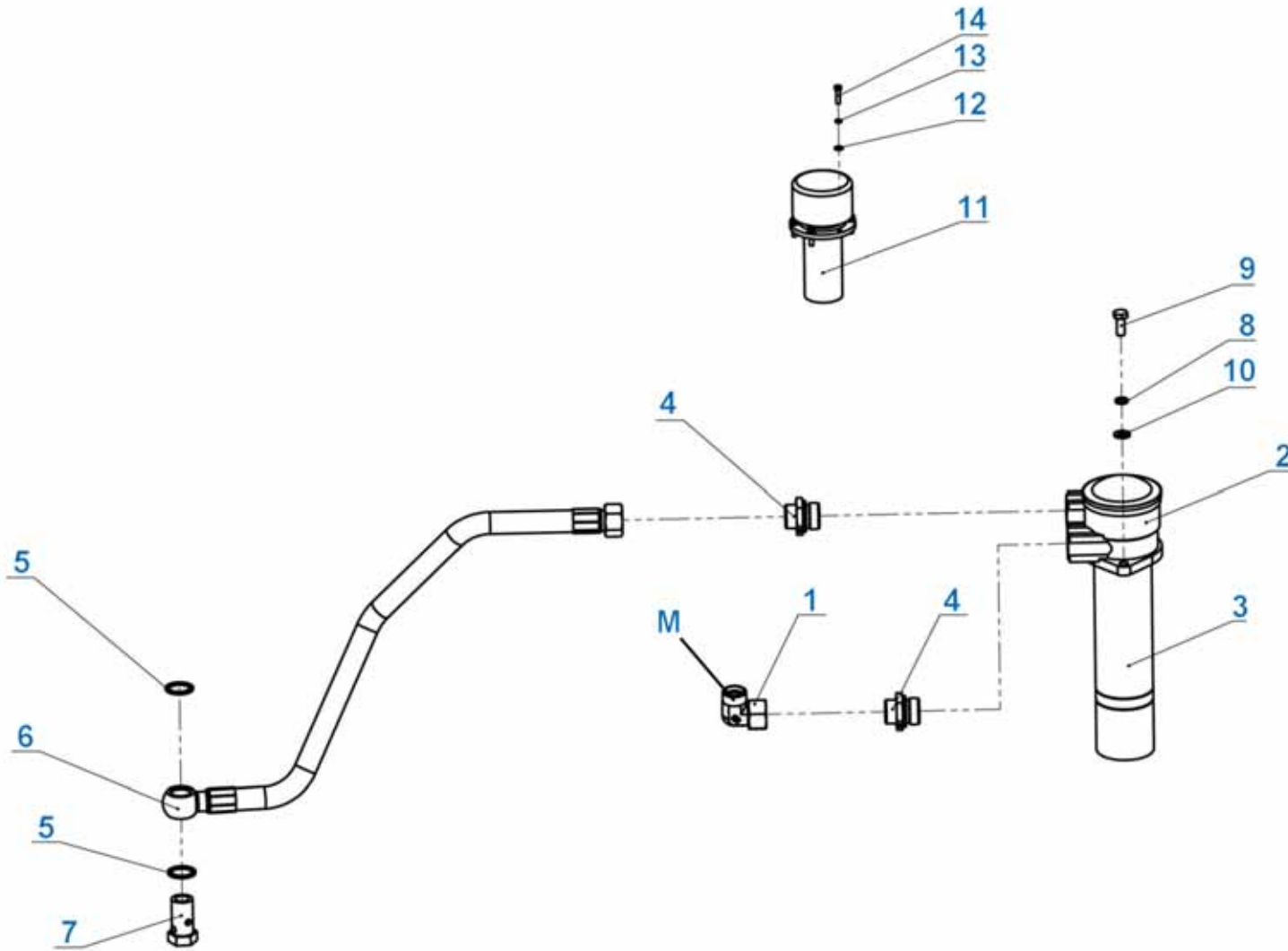
7.2 Hydraulic system 2



Hydraulic system 2 parts list

Item	Part Number	Part Name	Quantity	Remark
1	0002C9 0022WDA	M22X1.5 right angle adapter for internal and external	2	
2	0001CB 2212WDA	M22*1.5 to G3/4 straight joint	5	
3	0000BC 002200A	M22*1.5 Tee joint (interconnecting nut)	1	
4	00002C 0022WDA	M22X1.5 to M22X1.5(nut) straight joint	3	
5	0000CY 1604EDA	M16*1.5 G1/4ED pressure test joint	2	
6	004444 00G1-4A	Drain plug G1/4	1	
7	830-611300-G10	Rubber hose assy.- Steering gear T-plunger pump interface L1 (left)	1	
8	830-610400-G10	Rubber hose assy.- Oil return check valve - Tee joint port	1	
9	0000CC 002200A	M22*1.5 Tee joint (nut)	1	
10	0002BC 0822WDA	G1/2"to M22X1.5 (nut) straight joint	1	
11	0001CB 2208WDA	M22*1.5 to G1/2 straight joint	1	
12	850-400016-G00	Oil window (oil level window)	1	
13	0001CB 3012WDA	M30*2 to G3/4 straight joint	1	
14	0002C9 0030WDA	M30X1.5 right angle adapter for internal and external thread	2	
15	0000CC 003000A	M30*2 Tee joint (nut)	2	
16	00002C 2230WDA	M22X1.5 to M30X2(nut) straight joint	2	
17	VU-12-G1-2-0.4	Straight check valve	1	
18	830-612800-G10	Rubber hose - Tee joint-plunger pump interface L2	1	
19	830-610100-G10	Rubber hose assy. - Tee joint-oil return port inside of oil scavenger	1	

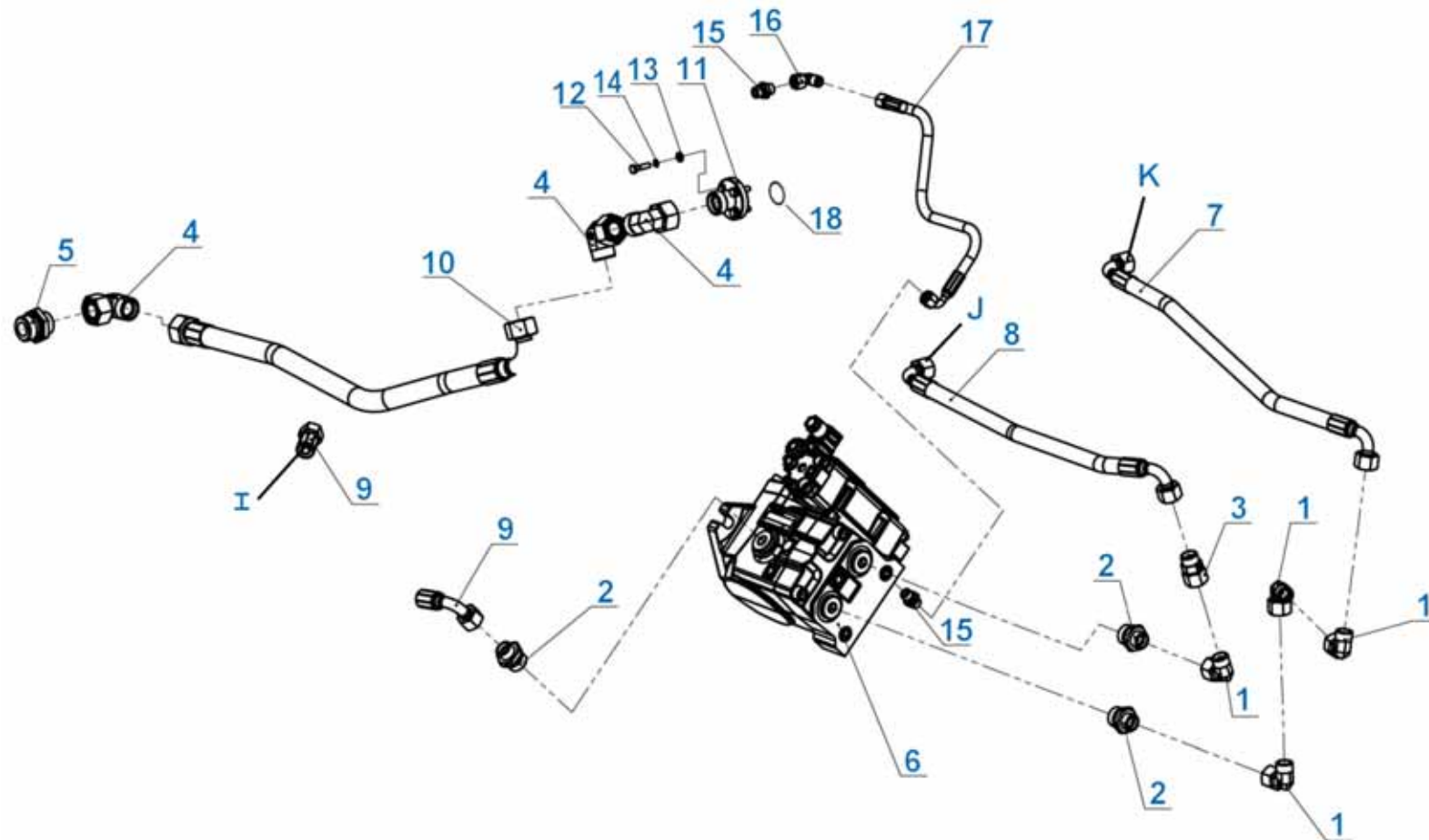
7.3 Hydraulic system 3



Hydraulic system 3 parts list

Item	Part Number	Part Name	Quantity	Remark
1	0002C9 0030WDA	M30X1.5 right angle adapter for internal and external thread	1	
2	1130-600700-G00	Oil return filter HTRFA100*10	1	
3	TRFX-A100	Element for oil return oil filter	1	
4	0001CB 3016WDA	M30*2 to G1 straight joint	2	
5	000982 000027A	Combined sealing washer 27	2	
6	830-610300-G10	Rubber (from oil supplement port of plunger pump to oil return filter)	1	
7	00720B 000012A	G3-4 hinge bolt	1	
8	000093 000101A	Standard spring washer 10	2	
9	005783 100251A	Hexagon head bolt full thread M10×25-8.8	2	
10	000971 000101A	Plain washer 10	2	
11	1030-600800-G00	Filter for hydraulic oil	1	
12	000971 000051A	Plain washer 5	6	
13	000093 000051A	Standard spring washer 5	6	
14	005783 050201A	Hexagon head bolt full thread M5×20-8.8	6	

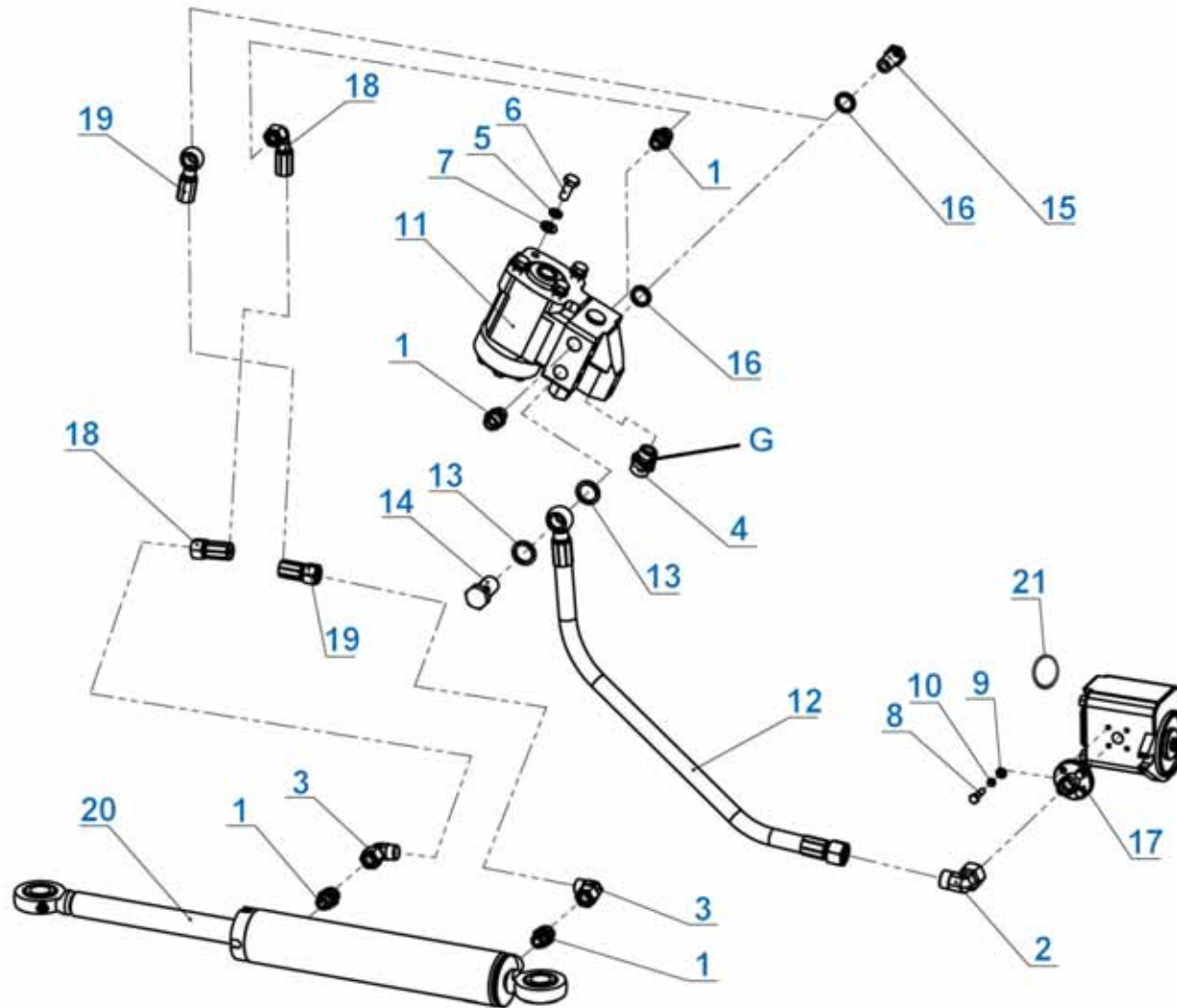
7.4 Hydraulic system 4



Hydraulic system 4 parts list

Item	Part Number	Part Name	Quantity	Remark
1	0002C9 0022WDA	M22X1.5 right angle adapter for internal and external thread	4	
2	0001CB 2212WDA	M22*1.5 to G3/4 straight joint	3	
3	00002C 0022WDA	M22X1.5 to M22X1.5 (nut) straight joint	1	
4	0002C9 0030WDA	M30X1.5 right angle joint for internal and external thread	3	
5	0001CB 3016WDA	M30*2 to G1 straight joint	1	
6	1230-104000-G10	Dual speed motor HP3666532171301V4	1	
7	830-610600-G10	Rubber hose assy.- Hydraulic motor port A - Plunger pump port A	1	
8	830-610800-G10	Rubber hose assy.- Hydraulic motor port B - Plunger pump port B	1	
9	830-612700-G10	Rubber hose assy.- Plunger pump port L2 - Plunger pump motor port L2	1	
10	830-611500-G10	Rubber hose assy.- Oil in port for gear pump - Lower port of left oil tank	1	
11	1130-600101-000	Oil in joint of gear pump	1	
12	005783 060251A	Hexagon bolt full thread M6x25-8.8	4	
13	000971 000061A	Plain washer 6	4	
14	000093 000061A	Standard spring washer 6	4	
15	0001CM 0014WDA	M14*1.5 to M14*1.5 plane straight joint	2	
16	0002C9 0014WDA	M14X1.5 right angle joint for internal and external joint	1	
17	830-612100-G10	Rubber hose assy.- Dual speed motor - Plunger pump P	1	
18	034521 250265A	O ring 25*2.65	1	

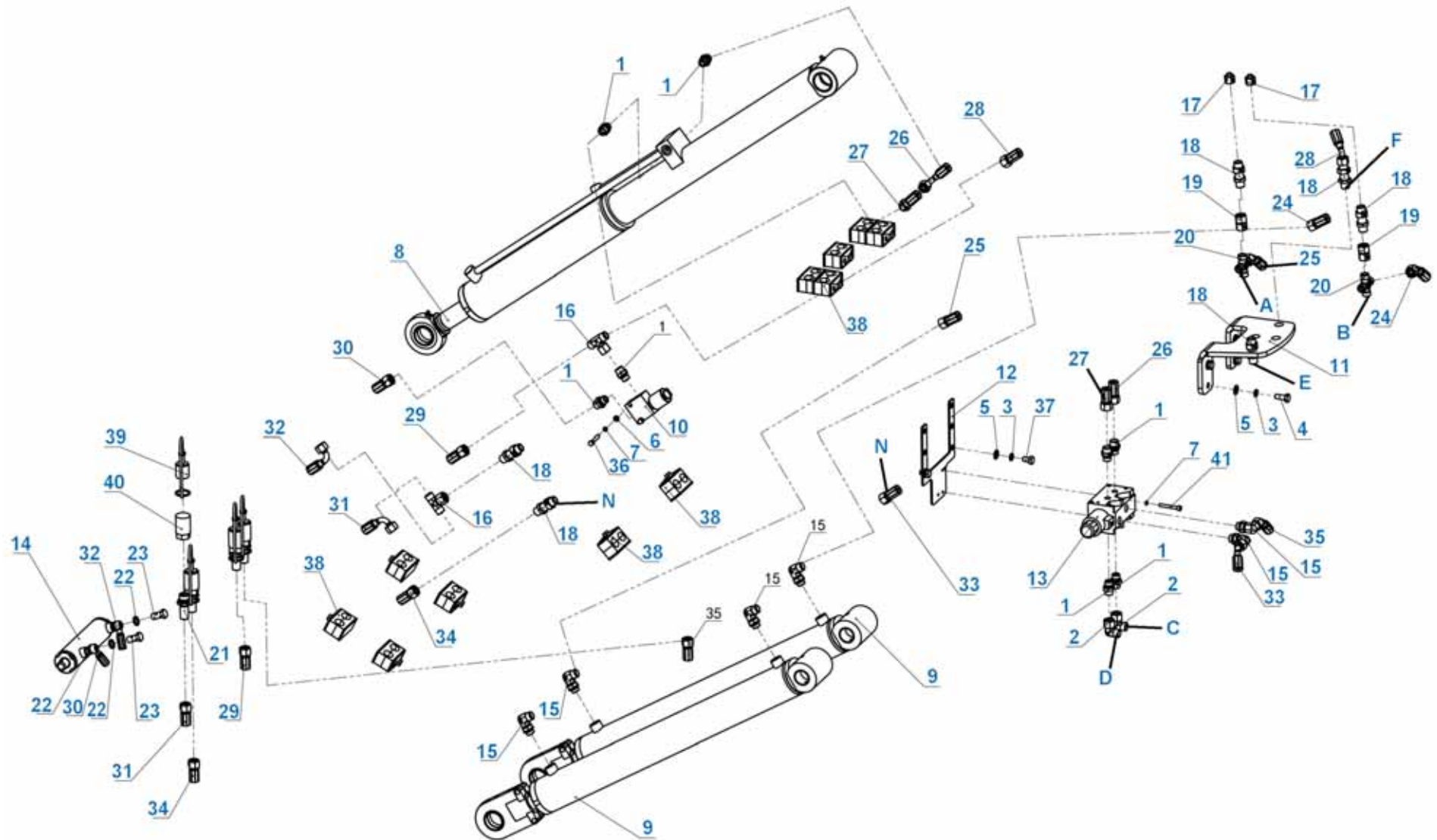
7.5 Hydraulic system 5



Hydraulic system 5 parts list

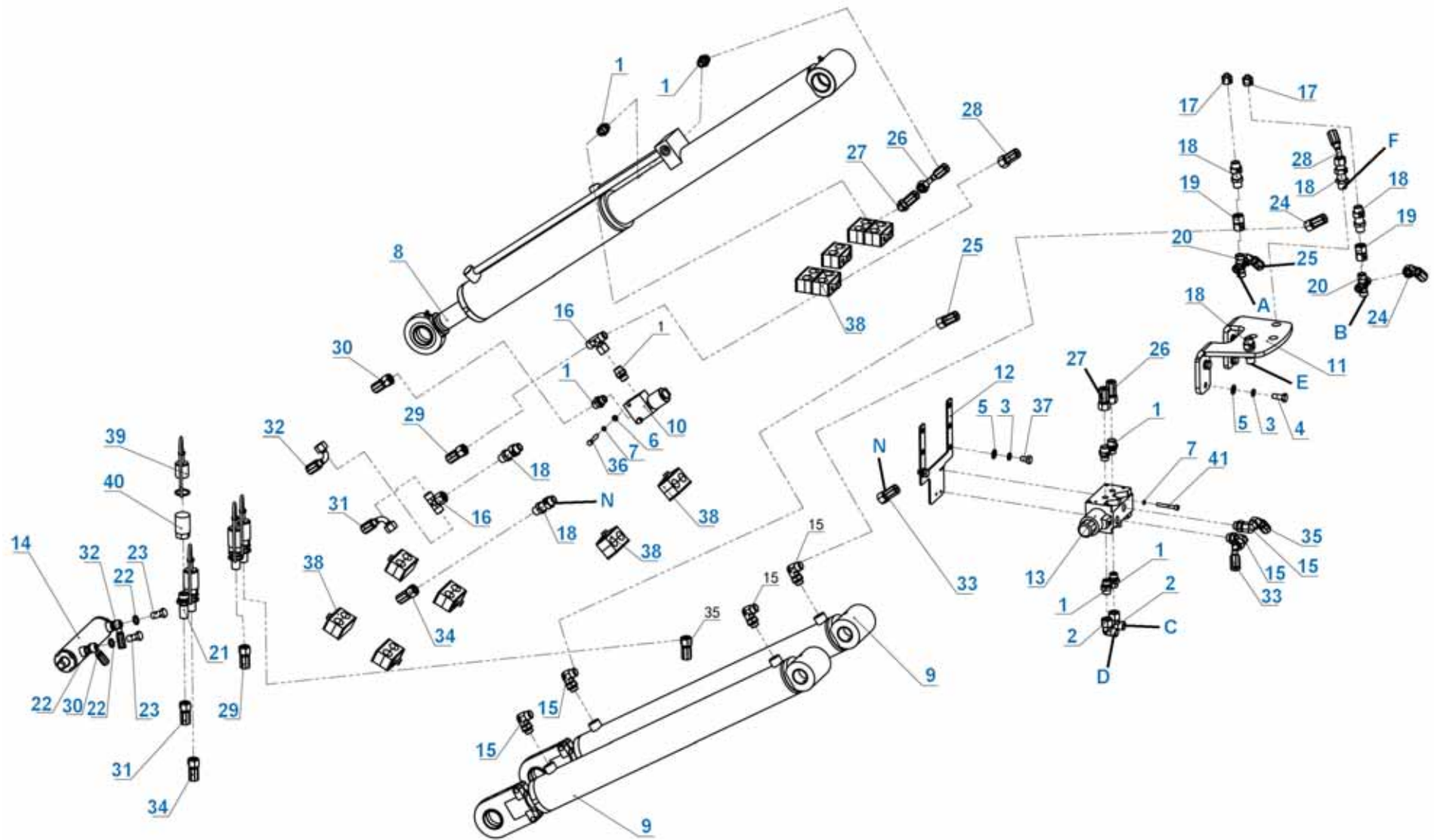
Item	Part Number	Part Name	Quantity	Remark
1	0001CB 1806WDA	M18*1.5 to G3/8 straight joint	4	
2	0002C9 0022WDA	M22X1.5 right angle adapter for internal and external thread	1	
3	0002C9 0018WDA	M18X1.5 right angle joint adapter for internal and external thread	2	
4	0001CB 2208WDA	M22*1.5 to G1/2 straight joint	1	
5	000093 000101A	Standard spring washer 10	4	
6	005783 100251A	Hexagon head bolt full thread M10×25-8.8	4	
7	000971 000101A	Flat washer 10	4	
8	005783 060251A	Hexagon bolt full thread M6×25-8.8	4	
9	000971 000061A	Flat washer 6	4	
10	000093 000061A	Standard spring washer 6	4	
11	1230-202000-G00	101S-125 steering gear	1	
12	830-611400-G10	Rubber hose-oil out port of gear pump-steering gear port P	1	
13	000982 00G1-2A	Combined sealing washers G1/2	2	
14	00720B 000008A	G1/2 hinge bolt	1	
15	00720B 000006A	G3/8 hinge bolt	1	
16	000982 00G3-8A	Combined sealing washers G3-8	2	
17	1130-600201-000	Oil out joint of gear pump	1	
18	830-611600-G10	Rubber hose assy.- Steering gear A - Plunger port of steering cylinder	1	
19	830-611700-G10	Rubber hose assy.- Cylinder sleeve- Steering gear port B	1	
20	1230-201000-G00	Steering cylinder	1	
21	034521 200265A	O ring 20*2.65	1	

7.6 Hydraulic system 6



Hydraulic system 6 parts list

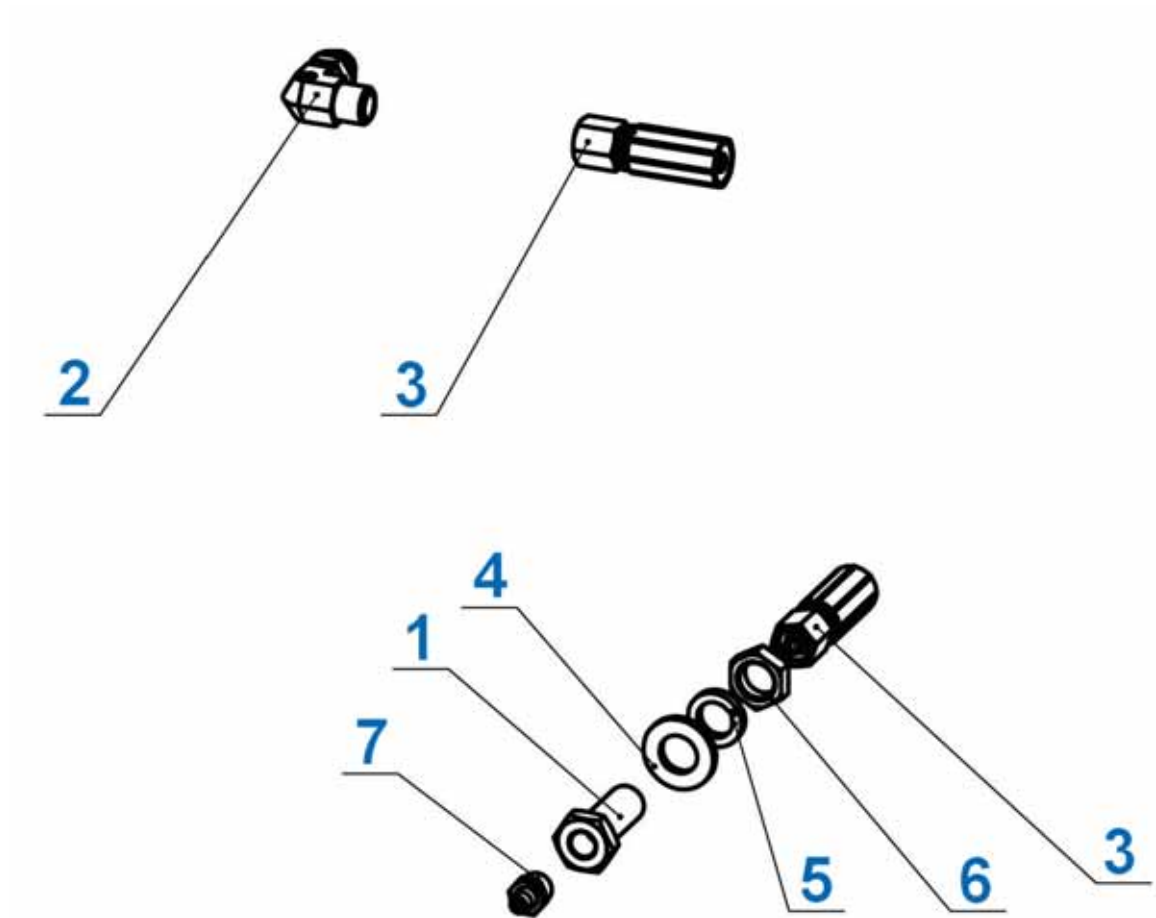
Item	Part Number	Part Name	Quantity	Remark
1	0001CB 1806WDA	M18*1.5 to G3/8 straight joint	8	
2	0002C9 0018WDA	M18X1.5 right angle joint for internal and external thread	2	
3	000093 000101A	Standard spring washer 10	6	
4	005783 100251A	Hexagon head bolt full thread M10×25-8.8	4	
5	000971 000101A	Flat washer 10	6	
6	000971 000061A	Flat washer 6	2	
7	000093 000061A	Standard spring washer 6	4	
8	1230-437000-G01	1230 tilting cylinder assy. (3.1m)	1	
9	830-436000-G10	Lifting cylinder	2	
10	DHF10-220-00	Two position two-way solenoid valve	1	
11	830-600002-100	The transitional plate for hoses of working unit	1	
12	850-600005-000	Mounting plate of six-way valve	1	
13	ZDPDCE50G038TA6-10	Two position six way valve	1	
14	1130-438000-G01	Locking cylinder	1	
15	001CG9 1806OGA	M18X1.5 to G3/8 right angle adjustable joint	6	
16	0000BC 001800A	M18*1.5 Tee joint (interconnecting nut)	2	
17	00009C 001800	Internal thread plug	2	
18	006CLN 001800A	M18*1.5 straight plate joint with nut	6	
19	00003C 001800A	M18*1.5 (nuts on both ends) straight joint	2	
20	0000ST 001800A	M18*1.5 four way joint	2	
21	0000F3 18G1-2A	M18*1.5 to G1/2 plate joint	4	
22	000982 000014A	Combined sealing washer 14	4	
23	00720B 000004A	G1-4 hinge bolt	2	
24	830-613500-G10	Rubber hose assy.- Rear cross joint-lifting cylinder sleeve end	2	
25	830-613600-G10	Rubber hose assy.- Front cross joint-lifting cylinder sleeve end	2	



Hydraulic system 6 parts list

Item	Part Number	Part Name	Quantity	Remark
26	830-613700-G10	Rubber hose assy.- Upper right port of six way valve-plunger end of slant oil cylinder	1	
27	830-613800-G10	Rubber hose assy.- Cylinder rod end of slant cylinder-upper left port of six way valve	1	
28	830-613900-G10	Rubber hose assy.- Right side of plate-Tee joint of three way magnetic valve	2	
29	830-613310-G10	Rubber hose assy.- Tee joint of three way magnetic valve	1	
30	830-613210-G10	Rubber hose assy.- Magnetic valve port-oil port of locking cylinder rod	1	
31	830-613300-G10	Rubber hose assy.- Upperport of left side Tee joint-quick change	1	
32	830-613220-G10	Rubber hose assy.- Lower port of left side Tee joint-oil port of locking cylinder sleeve	1	
33	830-614700-G10	Rubber hose assy.- Middle left port of six way valve-outside port of left plate	1	
34	830-614800-G10	Rubber hose assy.- Outside port of left plate-left quick change (middle of outside port)	1	
35	830-614900-G10	Rubber hose assy.- Middle right port of six way valve right quick change (middle of outside port)	1	
36	005783 060401A	Hexagon bolt full thread M6×40-8.8	2	
37	005783 100161A	Hexagon bolt full thread M10×16-8.8	2	
38	SHTPG1-321.3	Double pipe clamp 21.3	11	
39	LSQ-S1-PF-G1-2	Red dust cap (plug)	4	
40	LSQ-S1-04SF-G1-2	Quick joint	4	
41	000701 060451A	Hexagon socket cap screw M6×45-8.8	2	

7.7 Hydraulic system 7

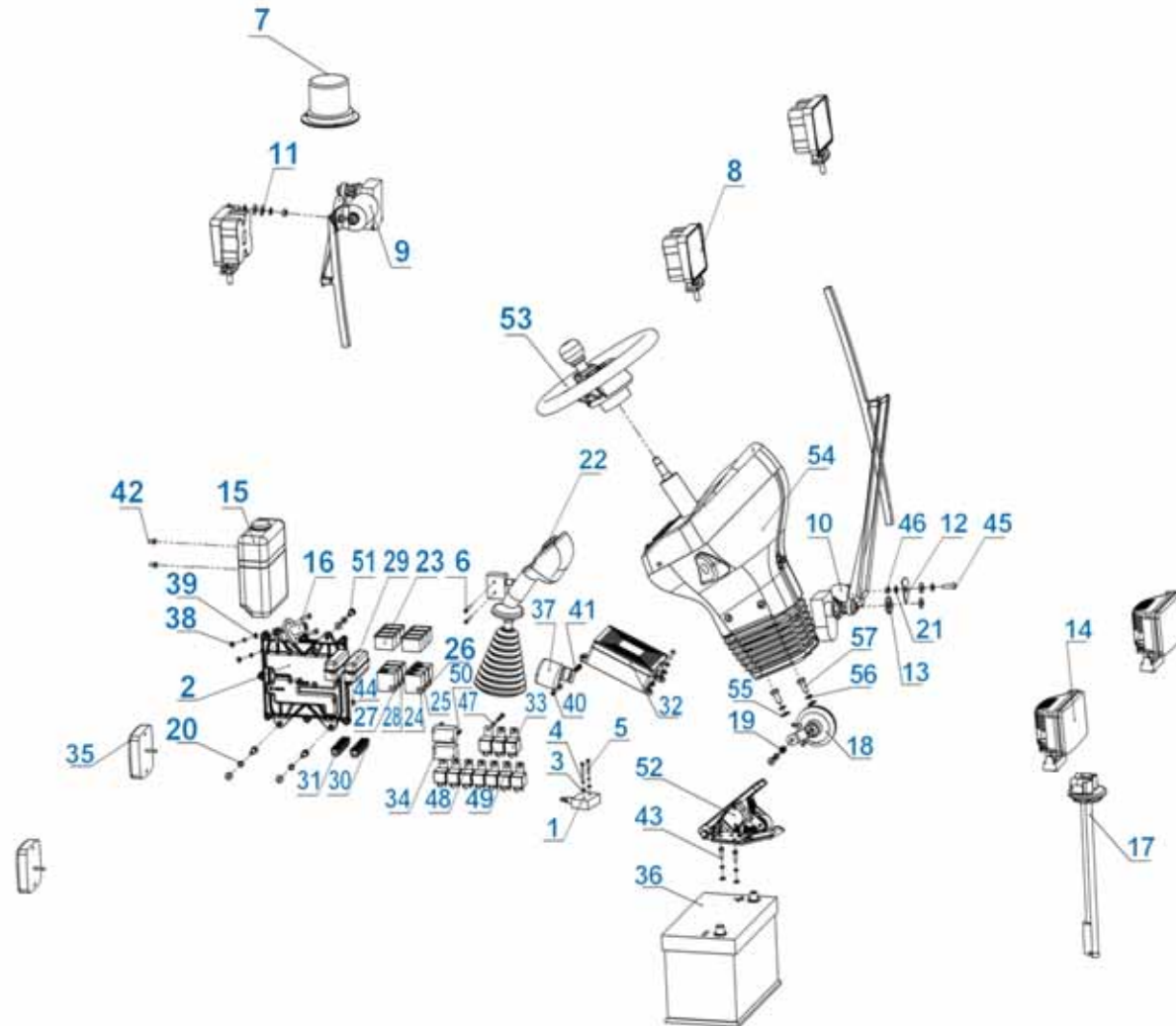


Hydraulic system 7 parts list

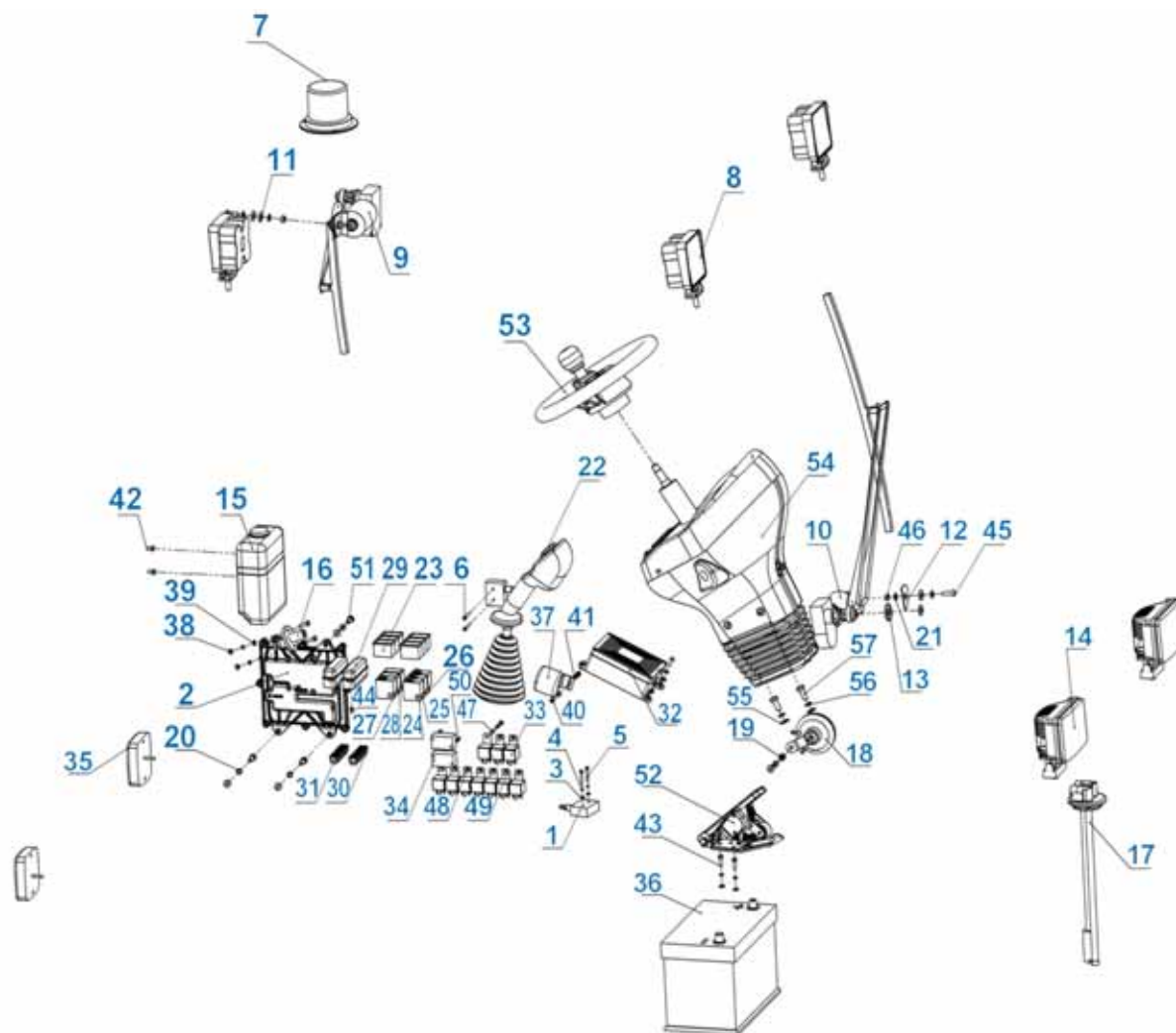
Item	Part Number	Part Name	Quantity	Remark
1	303050000044	Oil nozzle joint	1	
2	001CH9 1210OGA	M12X1.5 to M10X1 right angle adjustable joint	1	
3	830-615000-G10	Rubber hose assy.- Rear ball hinged grease tube	1	
4	000971 000121A	Flat washer 12	1	
5	000093 000121A	Standard spring washer 12	1	
6	061721 012001A	Hexagon thin nut M12	1	
7	079401 010101A	Oil cup M10X1	1	

8. ELECTRIC SYSTEM

8.1 Electric system installation



Electric system installation parts list				
Item	Part Number	Part Name	Quantity	Remark
1	E25G00 800900	Micro Switch	2	
2	1J45659051	ECU (D1803-CR-E5B-JSQ-1)	1	
3	000971 000041A	Flat washer 4	2	
4	000093 000041A	Standard elastic washer 4	2	
5	000818 040301A	Slotted pan head screw M4X30-8.8	2	
6	000818 040351A	Slotted pan head screw M4X35-8.8	2	
7	1130-922000-000	Warning Light	1	
8	850-921000-000	Working lamp	3	
9	850-700601-000	Rear wiper assembly	1	
10	850-700600-000	Front wiper assembly	1	
11	1230-472003-000	Rubber pad	4	
12	810-474008-100	Wiper rubber pad	2	
13	K30G00 580302	Fixed glass rubber pad	1	
14	1130-504500-000	Head light	2	
15	850-701600-G00	Scrubber pot	1	
16	1130-701900-G00	Main power switch	1	
17	1130-701500-G03	Oil level sensor	1	
18	K30G00 800050	Horn	1	
19	005783 080121A	Hexagon head bolts full thread M8x12-8.8	1	
20	000093 000081A	Standard elastic washer 8	5	
21	000971 000081A	Flat washer 8	9	
22	850-720000-000	Joystick assembly (Euro 5)	1	
23	850-701900-G00	Rocker switch triple group frame	2	
24	1230-701903-G00	Wiper switch	1	
25	1230-701902-G00	Water bottle switch	1	
26	850-701901-G00	Differential lock switch	1	
27	1130-710018-G00	Double jump switch	1	
28	1230-700023-G00	Blank panel of switch box	2	



Electric system installation parts list

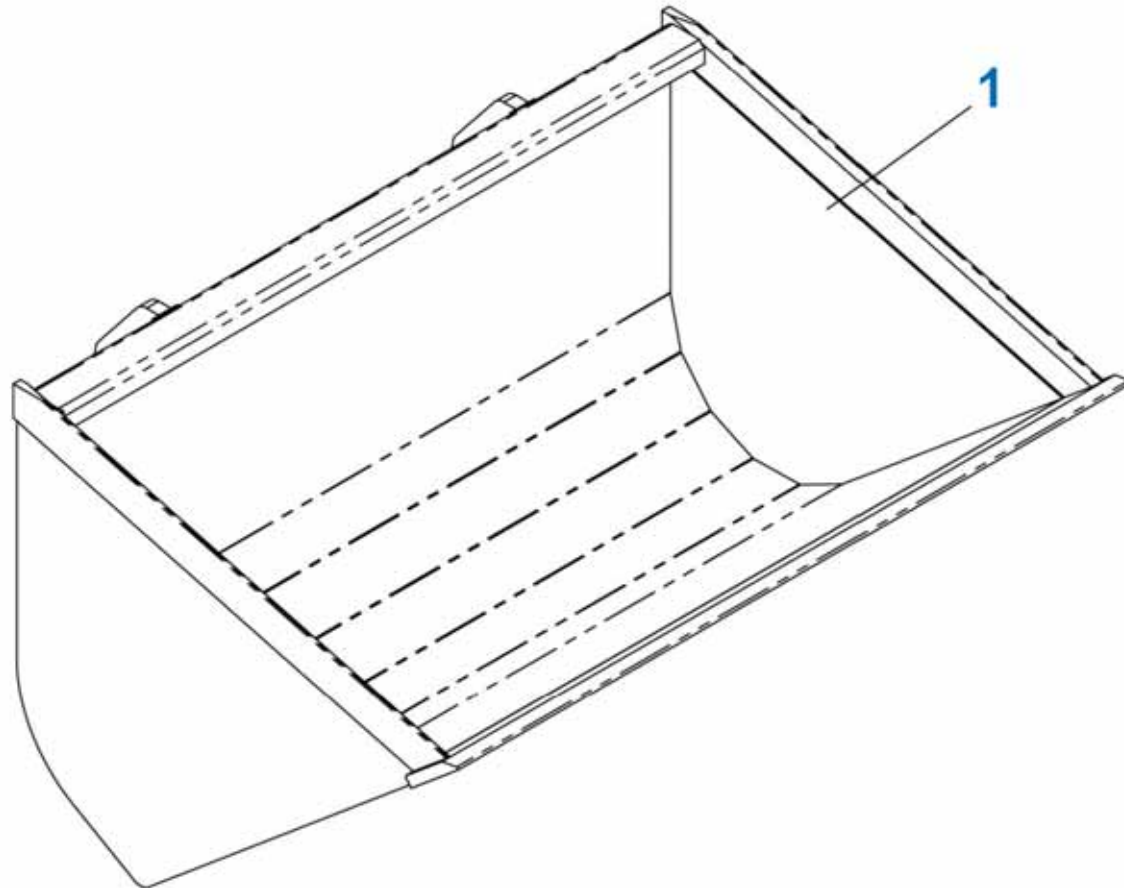
Item	Part Number	Part Name	Quantity	Remark
29	1130-701800-G00	6 way fuse box	2	
30	FU-10A	Fuse 10A	4	

Electric system installation parts list

Item	Part Number	Part Name	Quantity	Remark
31	FU-5A	Fuse 5A	8	
32	1030-700900-G10	Control box assembly	1	
33	850-701700-G00	Relay (Euro 5 engine)	10	
34	1130-701200-G00	Forkbolt fuse holder	2	
35	810E-700100-000	LED tail light	2	
36	830-703000-G10	Battery 6-QW-80	1	
37	E25G00-800700	Reversing buzzer	1	
38	006170 006001A	Hex nut M6	3	
39	000971 000061A	Flat washer 6	11	
40	000702 060161A	Hexagon socket flat head screw M6X16-8.8	5	
41	000093 000061A	Standard elastic washer 6	11	
42	000818 060121A	Cross recessed pan head screws M6X12-8.8	2	
43	005783 060201A	Hexagon head bolts full thread M6×20-8.8	4	
44	000819 040101A	Cross recessed countersunk head screws M4X10-8.8	4	
45	000702 080252A	Hexagon socket flat head screw M8X25-10.9	2	
46	006184 008001A	Metal hex lock nut M8	2	
47	005783 050161A	Hexagon head bolts full thread M5×16-8.8	10	
48	000093 000051A	Standard elastic washer 5	10	
49	000971 000051A	Flat washer 5	10	
50	000818 040121A	Cross recessed pan head screws M4X12-8.8	4	
51	005783 080201A	Hexagon head bolts full thread M8×20-8.8	4	
52	830-702600-200	Electronic throttle	1	
53	850-710009-G10	320 steering wheel	1	
54	850-710000-200	Kubota Euro 5 instrument assembly	1	
55	000971 000101A	Flat washer 10	4	
56	000093 000101A	Standard elastic washer 10	4	
57	005783 100251A	Hexagon head bolts full thread M10×25-8.8	4	

9. ATTACHMENT

9.1 Multi-function loader attachment



Multi-function loader attachment parts list

Item	Part Number	Part Name	Quantity	Remark
1	1230-800000-551	Bucket assembly	1	