



# W12S/W12D Spare parts

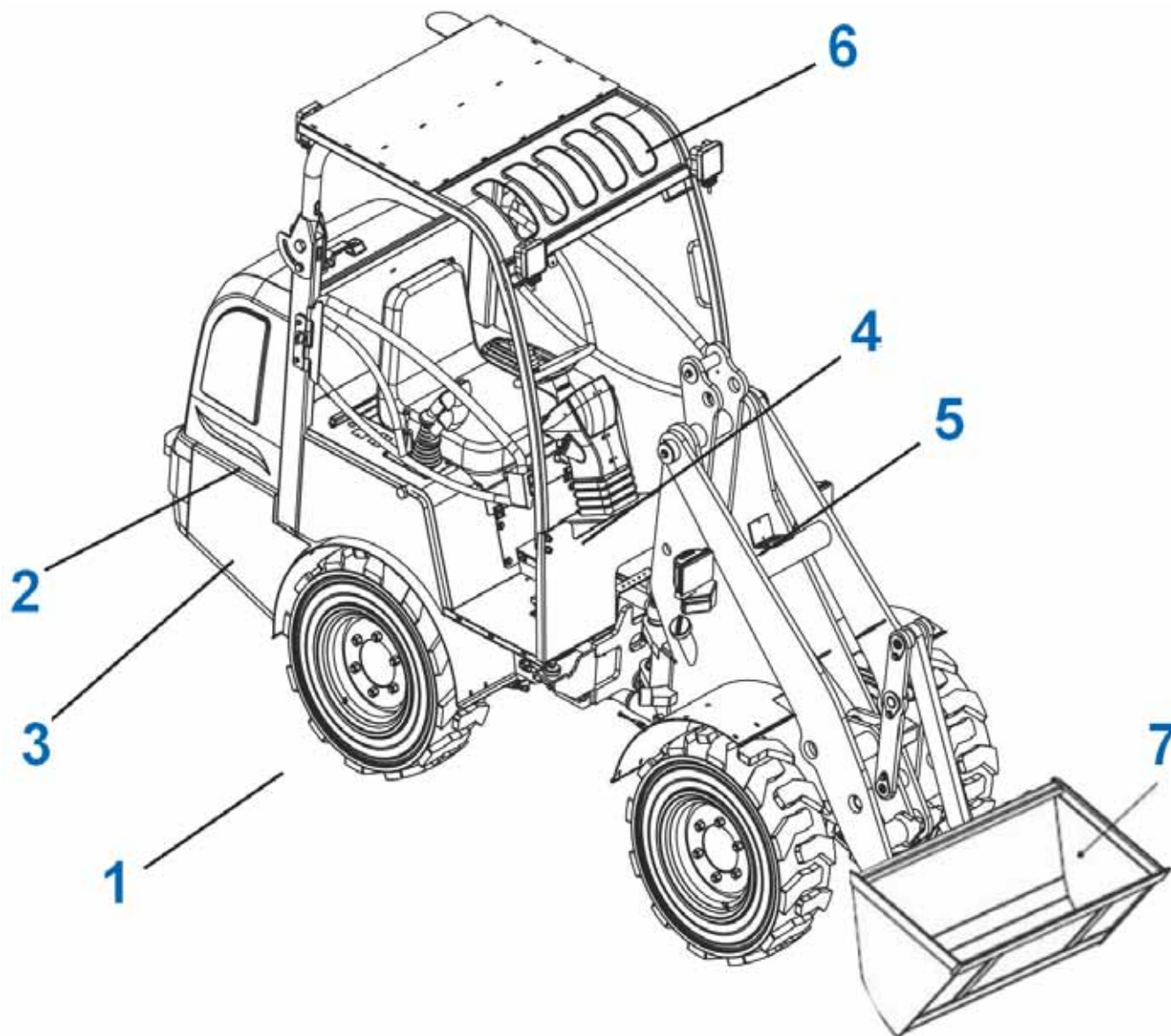
P. de Heus en Zonen Greup B.V.  
Stougjesdijk 153  
3271 KB Mijnsheerenland  
The Netherlands  
Tel. + 31 (0) 186 612 333  
[info@eurotrac.nl](mailto:info@eurotrac.nl)

<b>1.</b>	<b>WHEEL LOADER ASSEMBLY .....</b>	<b>4</b>
<b>2.</b>	<b>TRANSMISSION SYSTEM .....</b>	<b>6</b>
2.1	Transmission system general assembly .....	6
2.2	Rear axle assembly .....	8
2.3	Reducer installation .....	12
2.4	Differential mechanism assembly .....	14
2.5	Front axle assembly .....	16
2.6	Tyre assembly .....	20
2.7	Tyre assembly .....	22
2.8	Transmission shaft .....	24
2.9	Brake .....	26
<b>3.</b>	<b>POWER SYSTEM .....</b>	<b>28</b>
3.1	Power system assembly 1 .....	28
3.2	Power system assembly 2 .....	32
3.3	Air filter .....	34
3.4	Muffler .....	36
<b>4.</b>	<b>VEHICLE SYSTEM .....</b>	<b>38</b>
4.1	Front chassis .....	38
4.2	Working device .....	42
4.3	Rear chassis .....	46
4.4	Bonnet .....	48
4.5	Rear bonnet .....	52
4.6	Seat .....	54
4.7	Rear bonnet .....	56
4.8	Cab mounting assembly I .....	58
4.9	Cab mounting assembly II .....	60
4.10	Cab mounting assembly III .....	62
4.11	Rear window assembly .....	64
4.12	Left door assembly .....	66
4.13	Right door assembly .....	68

---

<b>5.</b>	<b>OPERATION SYSTEM .....</b>	<b>70</b>
5.1	Operation system .....	70
5.2	Foot brake .....	72
5.3	Hydraulic system .....	74
<b>6.</b>	<b>ELECTRIC SYSTEM .....</b>	<b>80</b>
6.1	Electric system installation .....	80
6.2	Dashboard .....	84
6.3	Operating handle .....	88
<b>7.</b>	<b>ATTACHMENT .....</b>	<b>90</b>
7.1	Bucket assembly .....	90

## 1. WHEEL LOADER ASSEMBLY

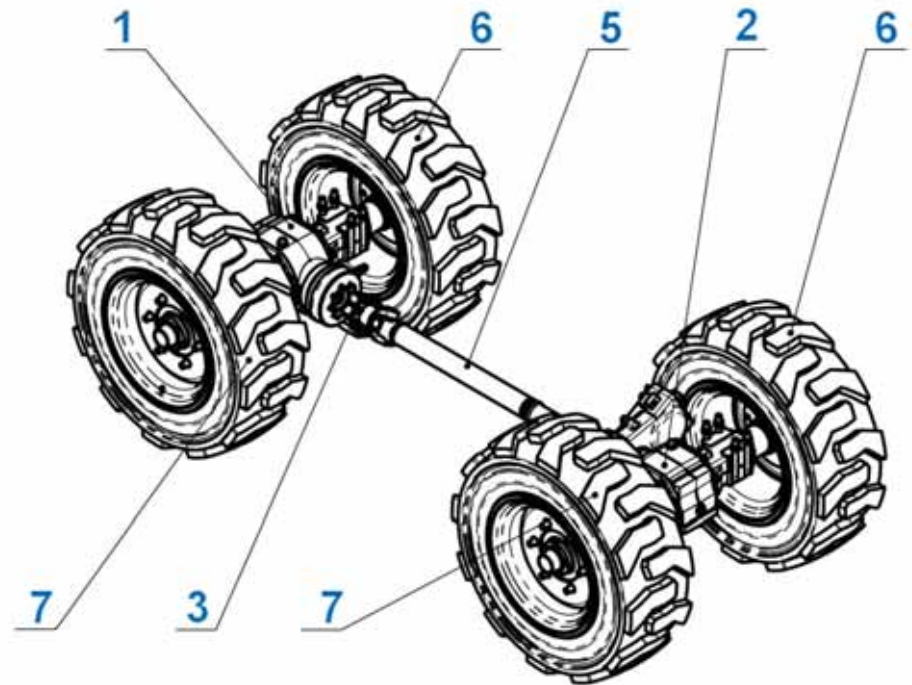
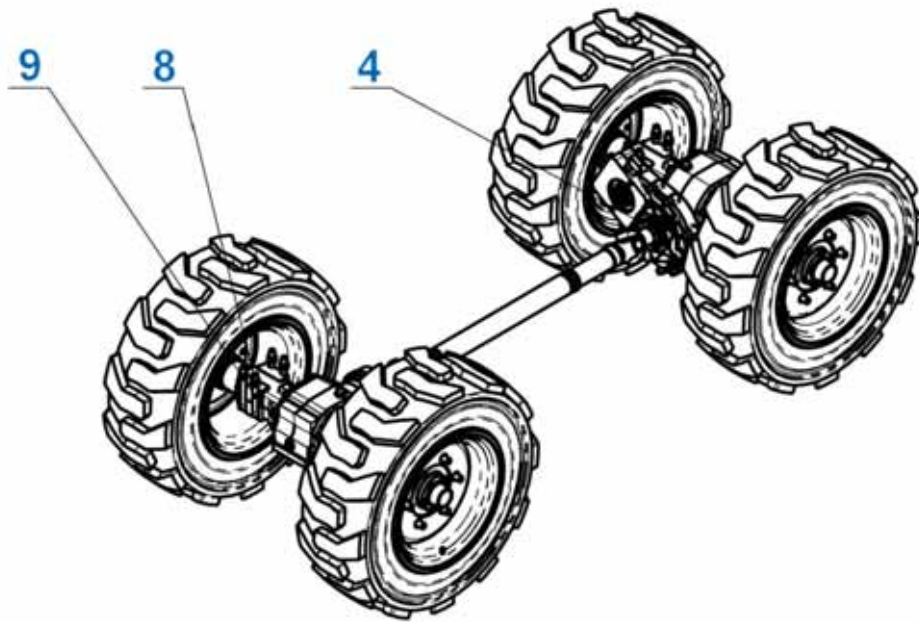


**Wheel loader assembly**

Item	Part number	Part name	Qty	Remark
1	1230-100000-000	Transmission system	1	
2	1230-300000-000	Power system	1	
3	1230-400000-000	Vehicle system	1	
4	1230-500000-000	Operation system	1	
5	1230-600000-000	Hydraulic system	1	
6	1230-700000-000	Electric system	1	
7	1230-800000-000	Attachment	1	

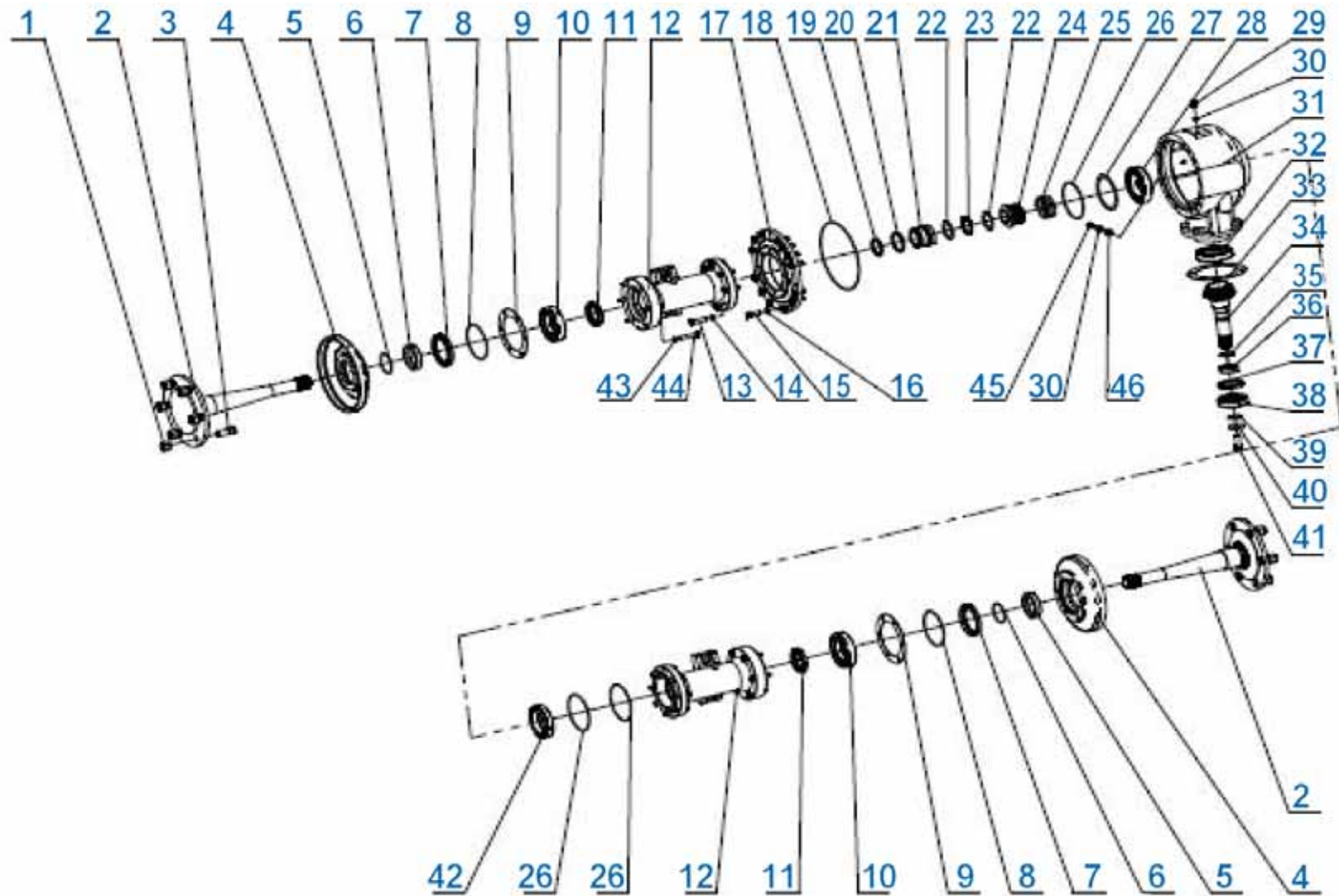
## 2. TRANSMISSION SYSTEM

### 2.1 Transmission system general assembly



Transmission system general assembly				
Item	Part number	Part name	Qty	Remark
1	1230-102000-G00	Front axle assembly	1	Import axle
	1230-120000-010	Front axle assembly	1	Single speed motor
	1230-120000-020	Front axle assembly	1	Double speed motor
2	1230-103000-G00	Rear axle assembly	1	Import axle
	1230-110000-010	Rear axle assembly	1	Single speed motor
	1230-110000-020	Rear axle assembly	1	Double speed motor
3	006184 010001	Lock nut M10	8	
4	1230-100001-000	Hinge bolt	4	Import axle + homemade axle
	1230-100001-010	Hinge bolt	4	Homemade axle
5	1230-101000-000	Drive shaft assembly	1	Import axle
	1230-101000-010	Drive shaft assembly	1	Homemade axle
	1230-101000-025	Drive shaft assembly	1	homemade axle (Lifting height
6	1230-182000-G00	Right tyre assembly 31x15.5-15AS	2	Wide tyre
	1230-182000-500	Right tyre assembly 10-16.5	2	Narrow tyre
7	1230-181000-G00	Left tyre assembly 31x15.5-15AS	2	Wide tyre
	1230-181000-500	Left tyre assembly 10-16.5	2	Narrow tyre
8	006184 016001	Lock nut M16	16	Import axle
	006184 020001	Lock nut M20	8	Homemade axle
9	1230-100002-000	U-bolt	8	Import axle
	000701 200652	Hexagon socket screw M20x65-12.9	8	Homemade axle

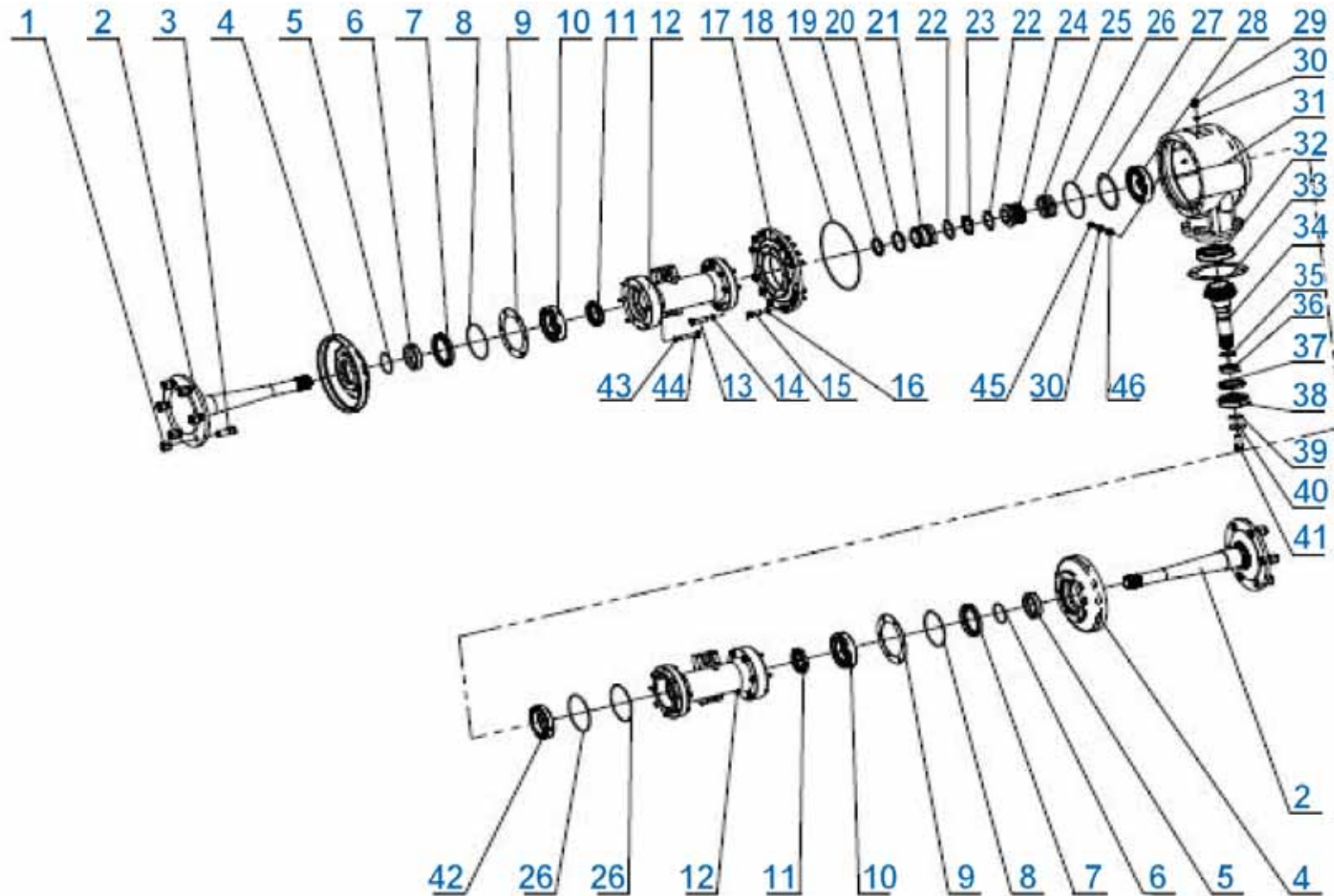
## 2.2 Rear axle assembly





**Rear axle assembly**

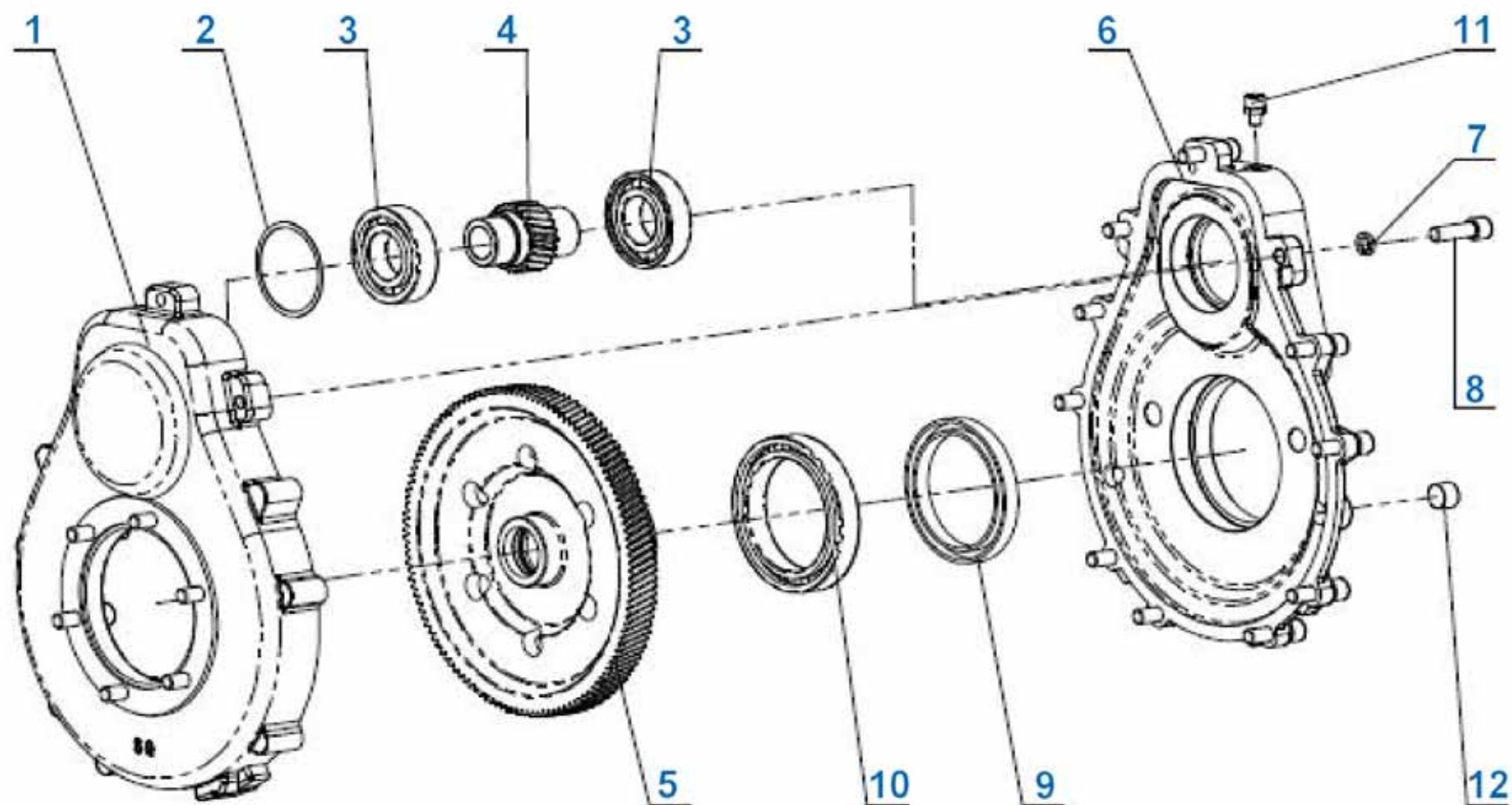
Item	Part number	Part name	Qty	Remark
1	1230-110020-G10	Rim nut	12	
2	1230-110005-G10	Half shaft	2	
3	1020-111007-G00	Rim bolt	12	
4	1230-110004-G10	Thimble bracket	2	
5	034521 650355	O-ring 65*3.55	2	
6	1230-110008-010	Spacer bush	2	
7	13871-085011012-00	Oil seal SD85x110x12	2	
8	012350 125310	O-ring 12*53	2	
9	1230-110013-G10	Gasket seal	2	Canceled
10	000276 006213	Bearing cap	2	
11	1230-110018-G112030-110018-G10	Round nut 65x1.5	2	
12	1230-110003-G10	Thimble	2	
13	005783 120453	Bolt M12*45-12.9	32	
14	000093 000121	Gasket 12	32	
15	005783 120353	Bolt 12*35-12.9		
16	000093 000121	Gasket 12	14	
17	1230-110009-G10	Bearing cap	1	
18	012350 240310	O-Ring 24*31	1	
19	Q141	X-ring 50.17x5.33	1	Optional
20	Q145	X-ring 59.69x5.33	1	Optional
21	1230-110015-010	Piston	1	Optional
22	004605 456501	Bearing shim	2	Optional
23	004605 889109	Bearing	1	Optional
24	1230-110010-G10	Combining tooth	1	Optional
25	1230-110016-G10	Lock spring	1	Optional



**Rear axle assembly**

Item	Part number	Part name	Qty	Remark
26	012350 130310	O-ring 130*3.1	3	
27	1230-110012-G10	Adjusting shim	1	
28	000297 032016	Bearing	1	
29	001000 014151	Bolt M14*1.5-12.9	4	
30	000982 000141	Gasket 14	5	
31	1230-110001-G10	Differential mechanism body	1	
32	000297 030310	Bearing	1	
33	1230-110006-G10	Sheet gasket	1	
34	1230-110002-G10	Spiral bevel gear shaft (short)	1	For single speed motor
	1230-110002-G20	Spiral bevel gear shaft (short)	1	For two-speed motor
35	008942 000401	Seal ring	1	
36	1230-110007-010	Spacer bush	1	
37	13871-055008008-00	Oil seal 55x80x8	1	
38	000297 030308	Bearing 30308	1	
39	012350 045310	O-ring 45*31	1	
40	1230-110011-010	Gasket	1	
41	005783 160402	Bolt M16*40-10.9	1	
42	000297 032015	Bearing 32015	1	
43	000093 000101	Gasket 10	12	
44	005783 100603	Bolt M10*60	12	
45	1230-110021-G10	Ventilated Caps	1	
46	1230-110019-G10	M14*1.5 screw	1	

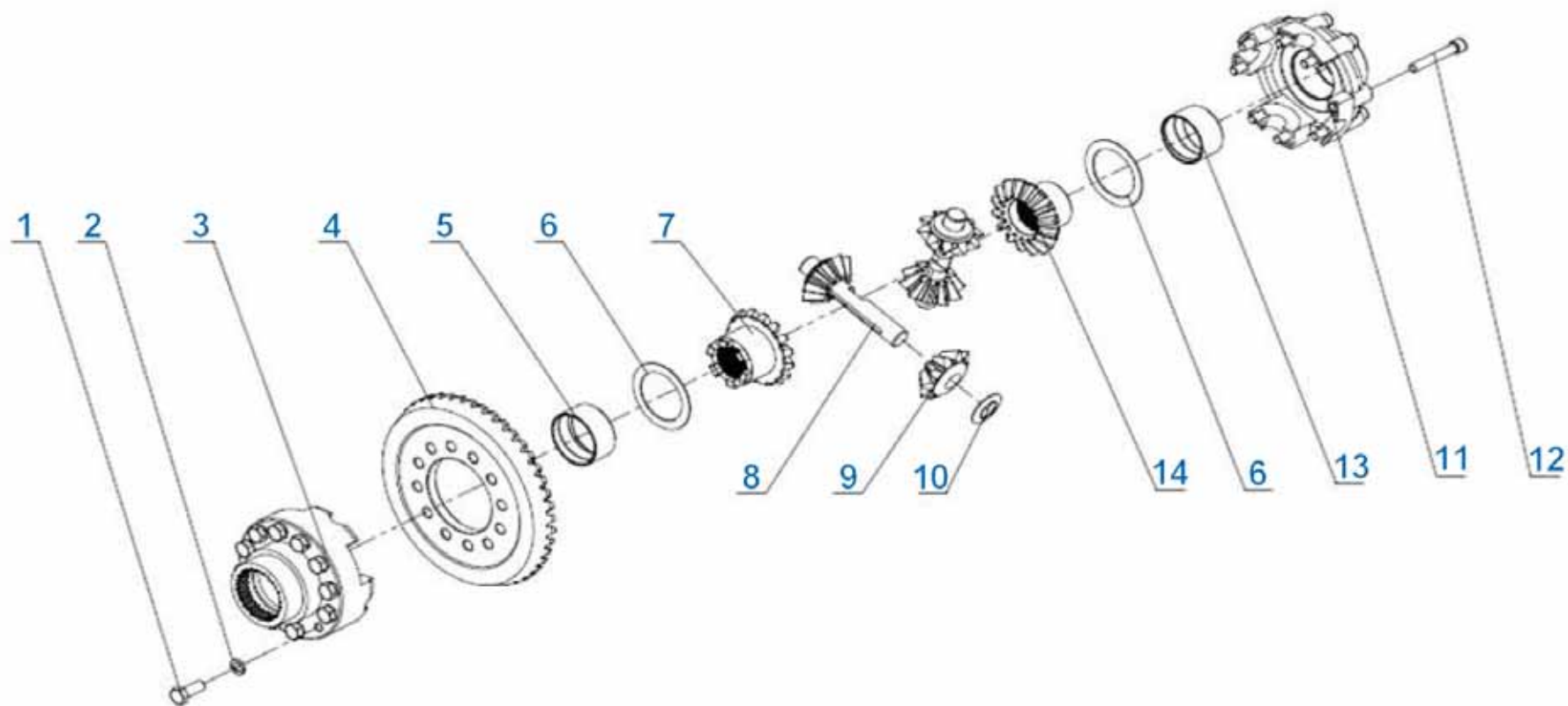
## 2.3 Reducer installation



**Reducer installation**

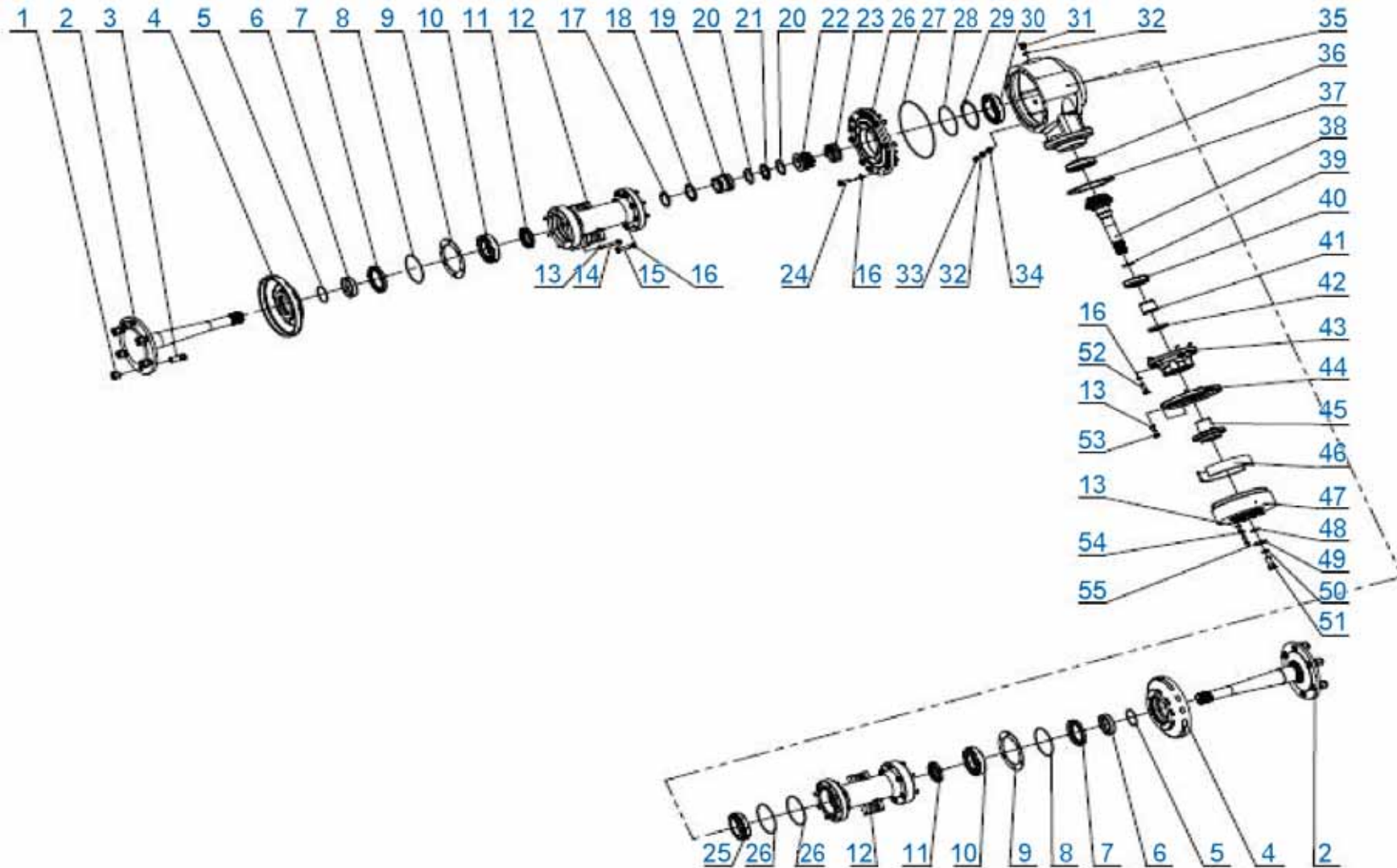
Item	Part number	Part name	Qty	Remark
1	1230-111002-010	Axle shell 1	1	
2	1230-111005-G10	Adjusting shim	1	
3	000292 7208AC	Bearing 7208AC	2	
4	1230-111003-G10	Driving gear	1	
5	1230-111004-G10	Differential mechanism	1	
6	1230-111001-010	Axle shell 2	1	
7	000093 000121	Gasket 12	11	
8	000701 120352	Bolt M12x35	17	
9	13871-095012012-00	Oil seal 95*120*12	1	
10	000297 061919	Bearing 61919	1	
11	1230-110018-G112030-111007-G10	Ventilated caps	1	
12	E30000 210011	Screw	4	

## 2.4 Differential mechanism assembly



Differential mechanism assembly list				
Item	Part number	Part name	Qty	Remark
1	1230-112012-020	Bolt	12	
2	1230-112013-020	Gasket	6	
3	1230-112002-G10	Cover	1	
4	1230-112006-G10	Ring gear	1	Single speed
	1230-112006-G20	Ring gear	1	Double speed
5	1230-112011-G10	Half shaft gear bushing II	1	
6	1230-112008-G10	Half shaft gear gasket	2	
7	1230-112009-G10	Half shaft II	1	
8	1230-112004-G10	Differential mechanism pin roll	2	
9	1230-112005-G10	Planetary gear	4	
10	1230-112007-G10	Planetary gear gasket	4	
11	1230-112001-G10	Cover	1	
12	000701 100653	Bolt M10*65	8	
13	1230-112010-G10	Half shaft gear bushing I	1	
14	1230-112003-G10	Half shaft I	1	

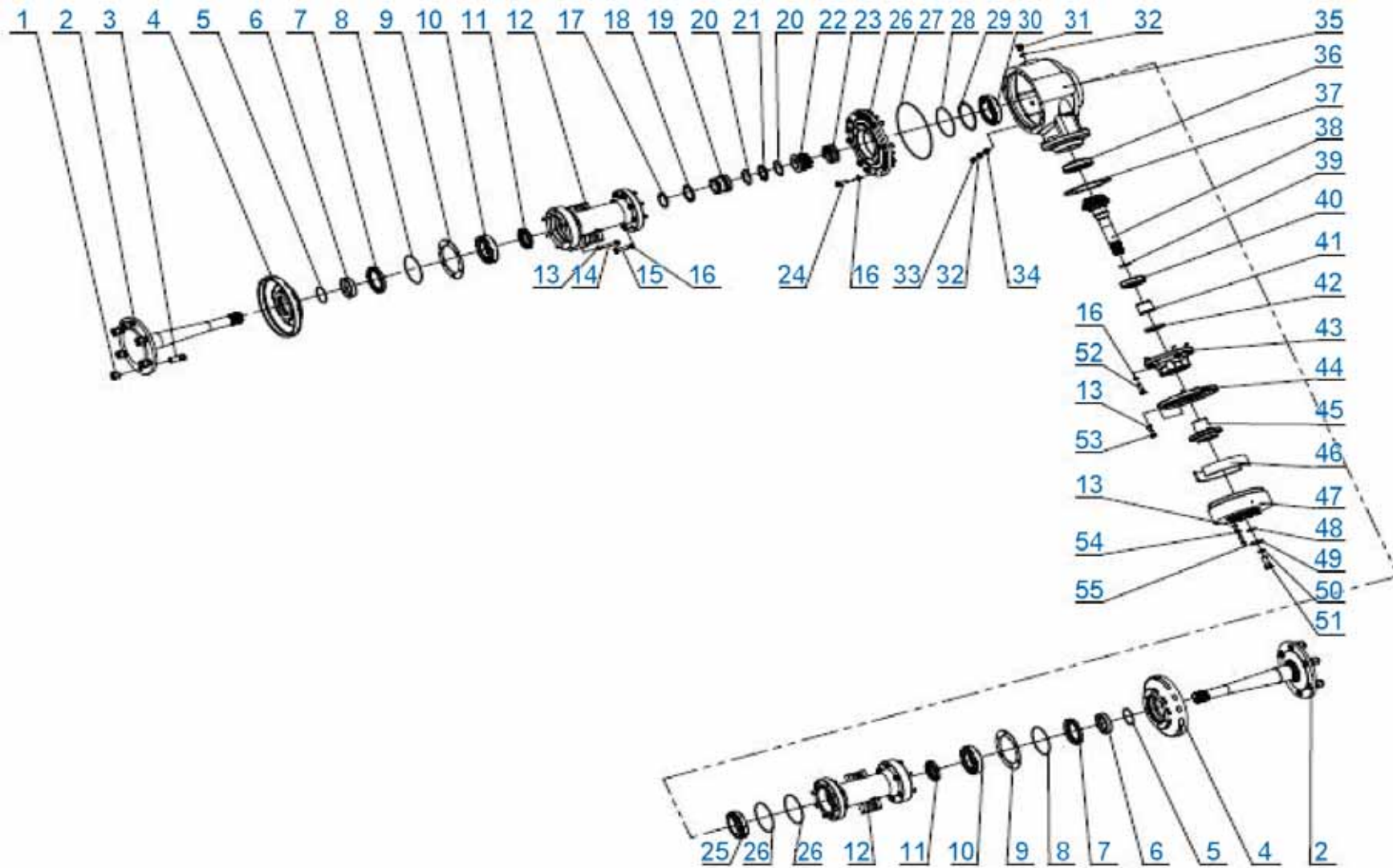
## 2.5 Front axle assembly





**Front axle assembly**

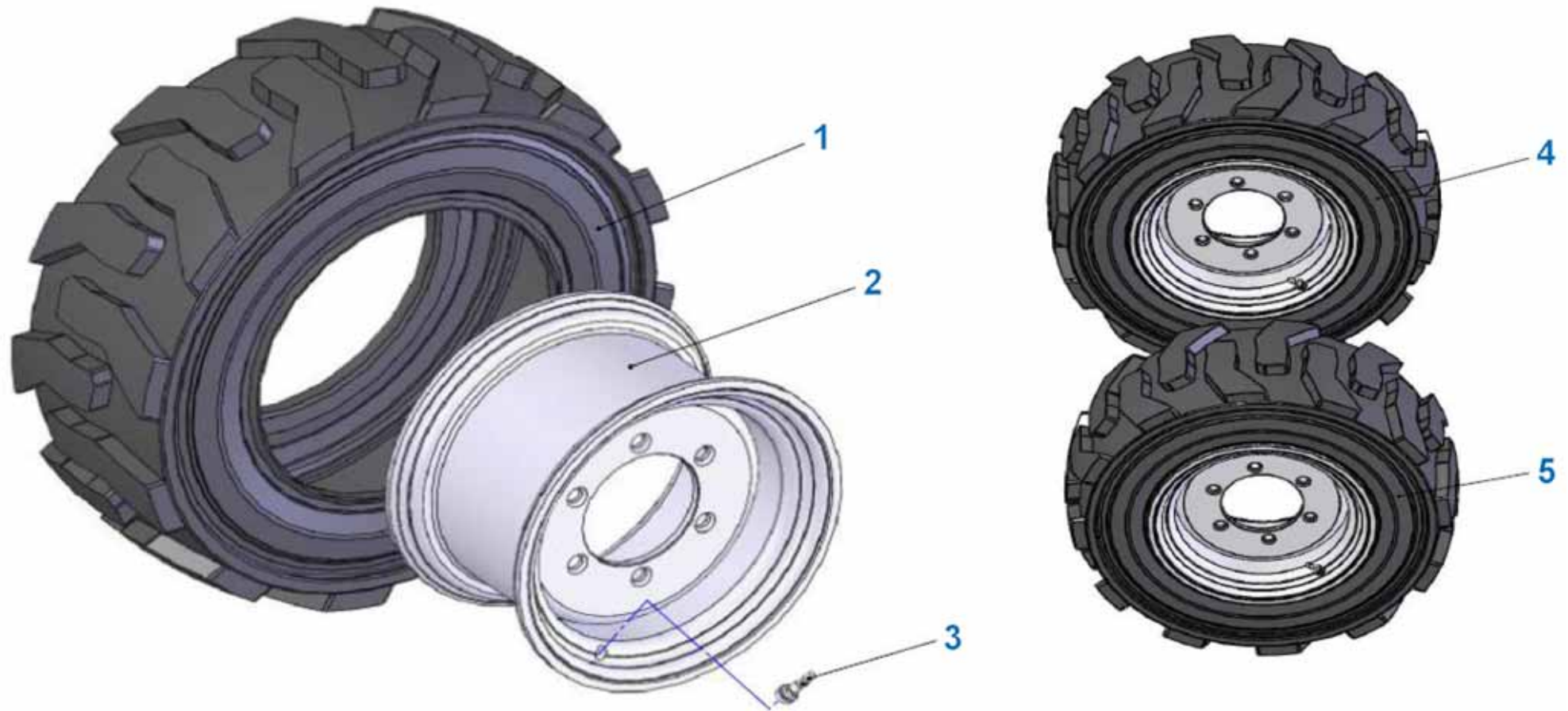
Item	Part number	Part name	Qty	Remark
1	1230-110020-G10	Rim nut	12	
2	1230-110005-G10	Half shaft	2	
3	1020-111007-G00	Rim bolt	12	
4	1230-110004-G10	Thimble bracket	2	
5	034521 650355	O-ring 65*3.55	2	
6	1230-110008-010	Spacer bush	2	
7	13871-085011012-00	Oil seal SD85x110x12	2	
8	012350 125310	O-ring125*3.1	2	
9	1230-110013-G10	Gasket seal	2	Canceled
10	000276 006213	Bearing cap	2	
11	1230-110018-G10	Round nut 65x1.5	2	
12	1230-110003-G10	Thimble	2	
13	000093 000101	Gasket 10	22	
14	005783 100603	Bolt M10*60	12	
15	005783 120353	Bolt M12*35	14	
16	000093 000121	Gasket 12	34	
17	Q141	X-ring 50.17x5.33	1	Optional
18	Q145	X-ring 59.69x5.33	1	Optional
19	1230-110015-010	Piston	1	Optional
20	004605 456501	Bearing shim	2	Optional
21	004605 889109	Bearing	1	Optional
22	1230-110010-G10	Combining tooth	1	Optional
23	1230-110016-G10	Lock spring	1	Optional
24	005783 120353	Bolt M12*35	14	
25	000297 032015	Bearing 32015	1	
26	1230-110009-G10	Bearing cap	1	
27	012350 240310	O-ring 240*3.1	1	
28	012350 130310	O-ring 130*3.1	3	



**Front axle assembly**

Item	Part number	Part name	Qty	Remark
29	1230-110012-G10	Adjusting Shim	1	
30	000297 032016	Bearing 32016	1	
31	001000 014151	Bolt M14*1.5	4	
32	000982 000141	Gasket 14	5	
33	1230-110021-G10	Ventilate cap	1	
34	1230-110019-G10	Bolt	1	
35	1230-110001-G10	Differential mechanism body	1	
36	000297 030310	Bearing 30310	1	
37	1230-110006-G10	Sheet gasket	1	Canceled
38	1230-110002-G10	Driving spiral bevel gear axis	1	Single speed
	1230-120004-G20	Driving spiral bevel gear axis	1	Double speed
39	034521 400265	O-ring 40*2.6	1	
40	000297 030308	Bearing 30308	1	
41	1230-120005-010	Sleeve 3	1	
42	13871-055007208-00	Oil seal 55x72x8	1	
43	1230-120001-G10	Spacer bush	1	
44	1230-121000-G20	Brake assembly	1	
45	1230-120003-G10	Thimble	1	
46	1230-121002-G10	Rotating shaft seal	2	
47	1230-120002-G10	Brake hub	1	
48	1230-110014-G10	Adjusting shim	1	
49	1230-110011-010	Gasket	1	
50		Gasket 16	1	
51	005783 160402	Bolt M16*40	1	
52	005783 120353	Bolt M12*35	1	
53	005783 100203	Bolt M10*20	1	
54	000093 000101	Nut M10	1	
55	1230-120006-010	Stud	1	

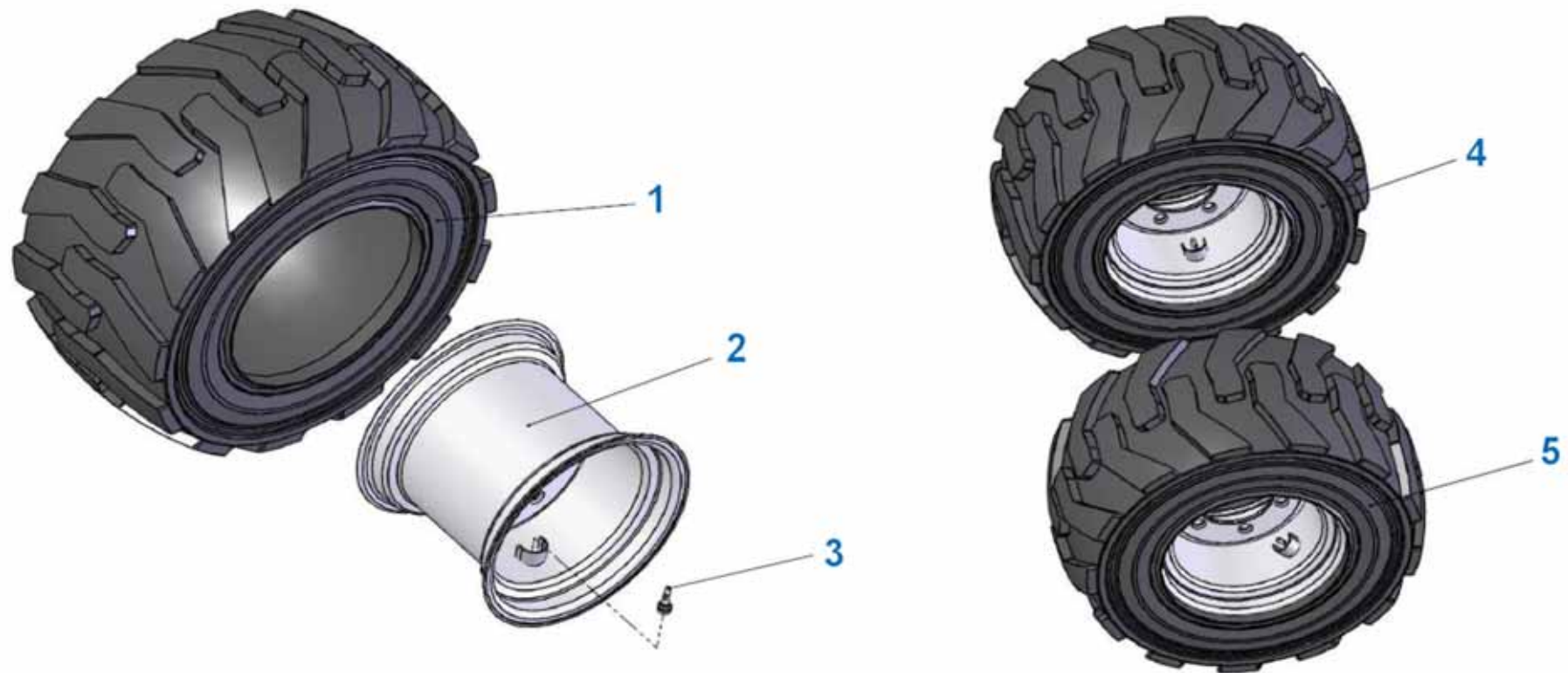
## 2.6 Tyre assembly



## Tyre assembly

Item	Part number	Part name	Qty	Remark
1	10-16.5NHS	Tyre 10-16.5NHS	4	Narrow tyre
2	1230-180100-500	Rim assembly	4	
3	1230-181001-500	Valve core	4	
4	1230-182000-500	Tyre assembly (right)	2	
5	1230-181000-500	Tyre assembly (left)	2	

## 2.7 Tyre assembly

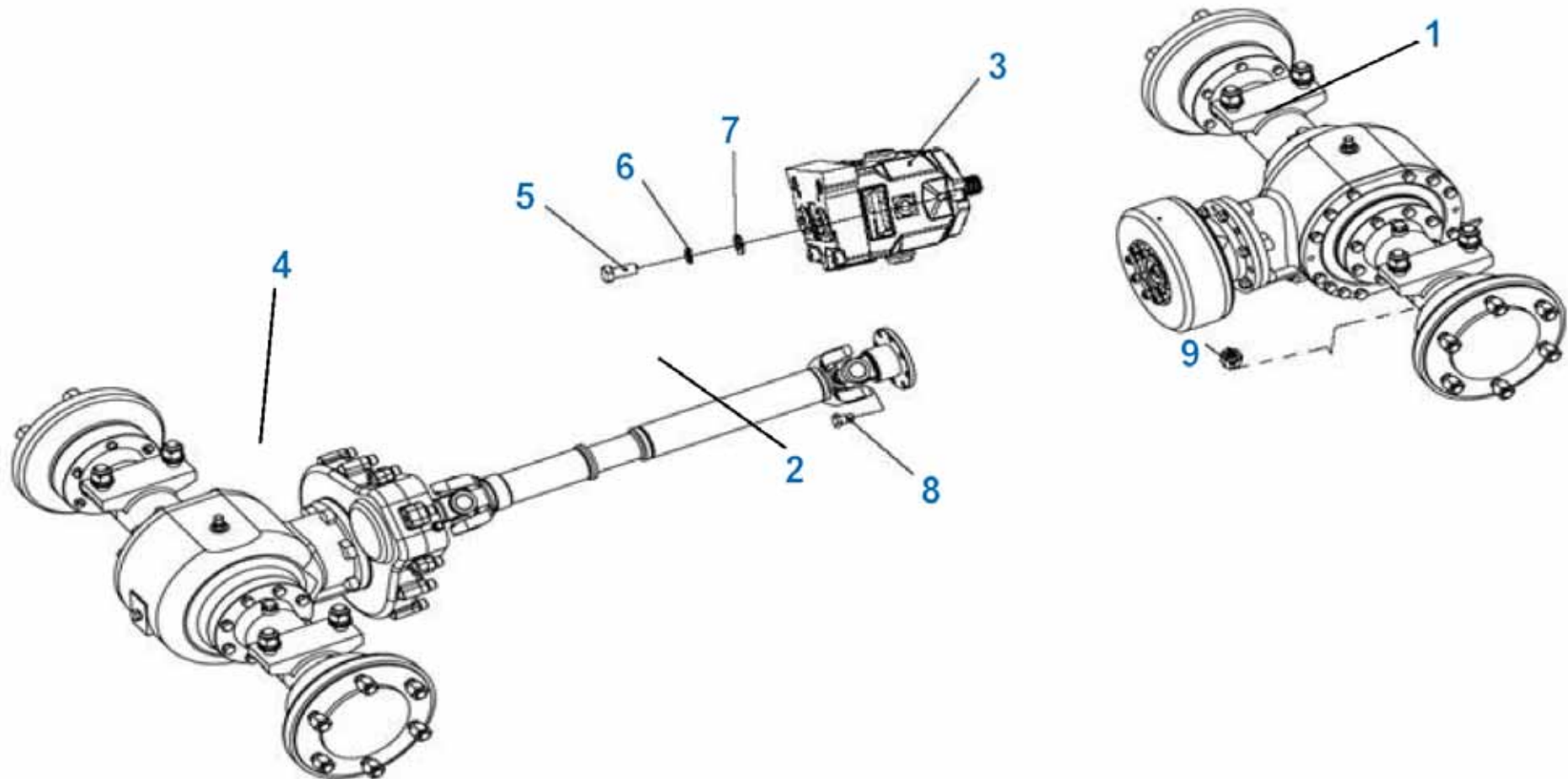


## Tyre assembly

Item	Part number	Part name	Qty	Remark
1	31X15.5-15AS	Tyre 31x15.5-15AS	4	Wide tyre
2	1230-100100-G01	Rim assembly	4	
3	1230-181001-500	Valve core	4	
4	1230-182000-G00	Tyre assembly (right)	2	
5	1230-181000-G00	Tyre assembly (left)	2	



## 2.8 Transmission shaft

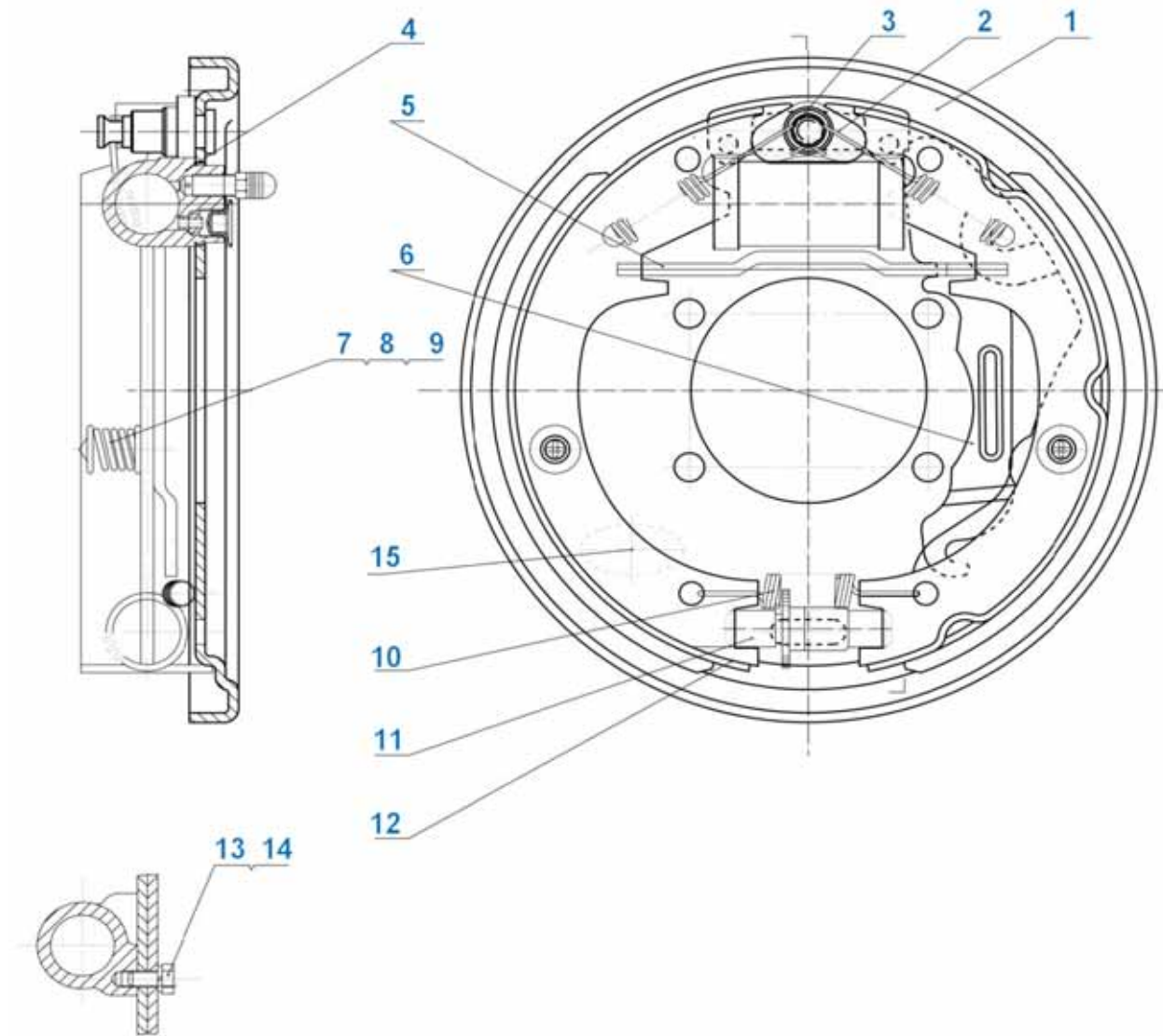




**Transmission shaft**

Item	Part number	Part name	Qty	Remark
1	1230-110000-100	Rear axle assembly	1	
2	1230-101000-000	Transmission axle assembly	1	
3	1230-104000-G00	Drive motor M4MF65-65 1B3RV4	1	Single speed
	1230-104000-G10	Drive motor M4MF65-65/32 EB1B3R-V4	1	Double speed
	1230-104000-G20	Drive motor HPV4A68/025 1GPEMC-095	1	Low power
4	1230-120000-100	Front axle assembly	1	
5	005783 014035	Hexagon head bolt M14x35	2	
6	000093 000014	Washer 14	2	
7	000971 000014	Washer 14	2	
8	001230 100001	Fit bolt	4	
9	000889 000010	Lock nut M10	16	

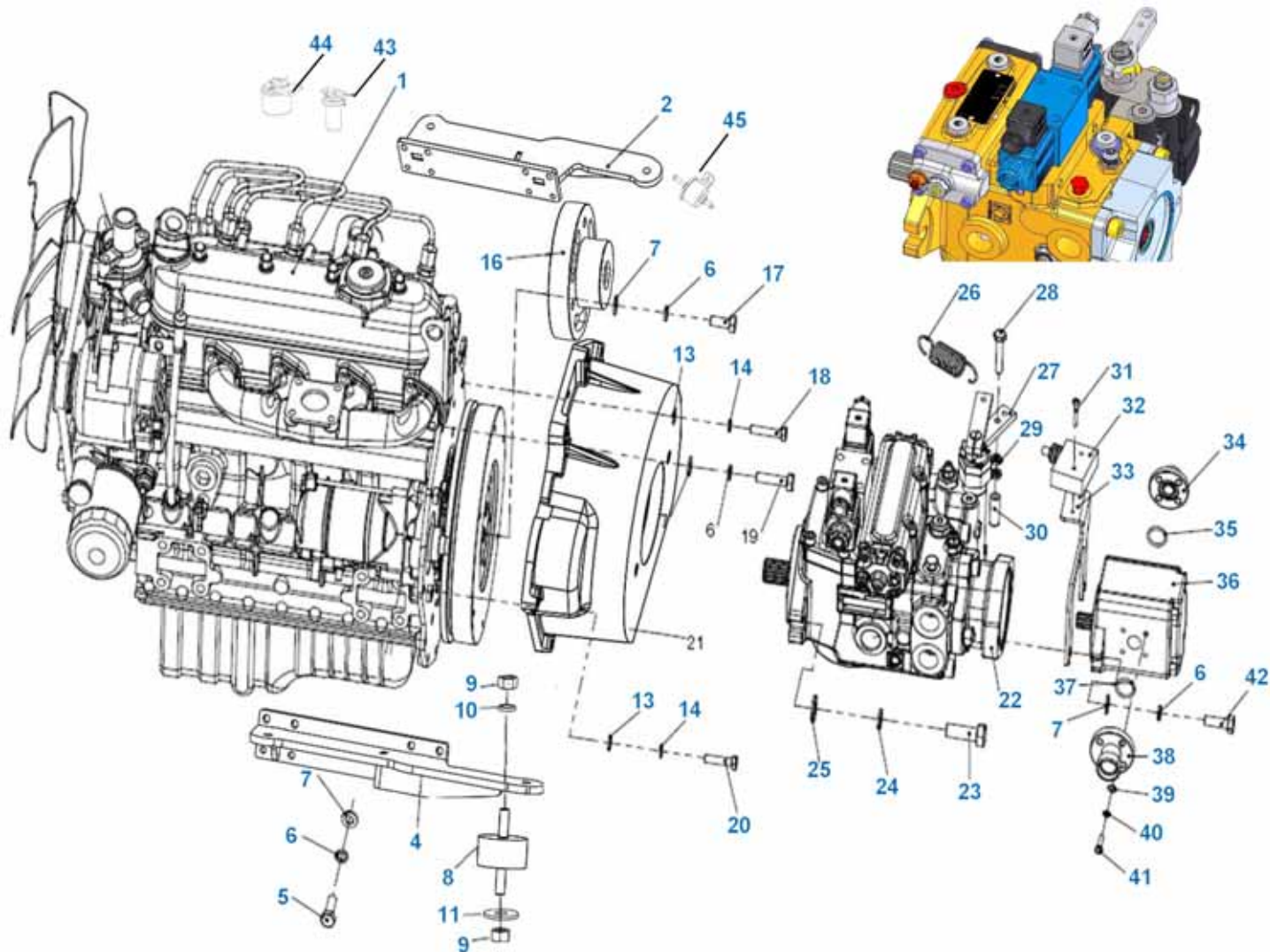
## 2.9 Brake



Brake				
Item	Part number	Part name	Qty	Remark
A	1230-121000-G20	Brake assembly	1	
1	1230-121100-G20	Base plate assembly	1	
2	1230-121001-G20	Pressing plate	1	
3	1230-121002-G20	Return spring	2	
4	1230-121200-G20	Brake cylinder	1	
5	1230-121003-G20	Hand brake push rod	1	
6	1230-121004-G20	Hand brake lever	1	
7	1230-121005-G20	Compression spring	1	
8	1230-121006-G20	Compression spring pull rod	2	
9	1230-121007-G20	Compression spring seat	4	
10	1230-121008-G20	Tension spring	1	
11	1230-121300-G20	Regulator assembly	1	
12	1230-121400-G20	Friction plate assembly	2	
13	005783 060141	Bolt M6x14	2	
14	000093 000061	Spring washer 6	2	
15	1230-100600-G20	Brake wire rope	1	

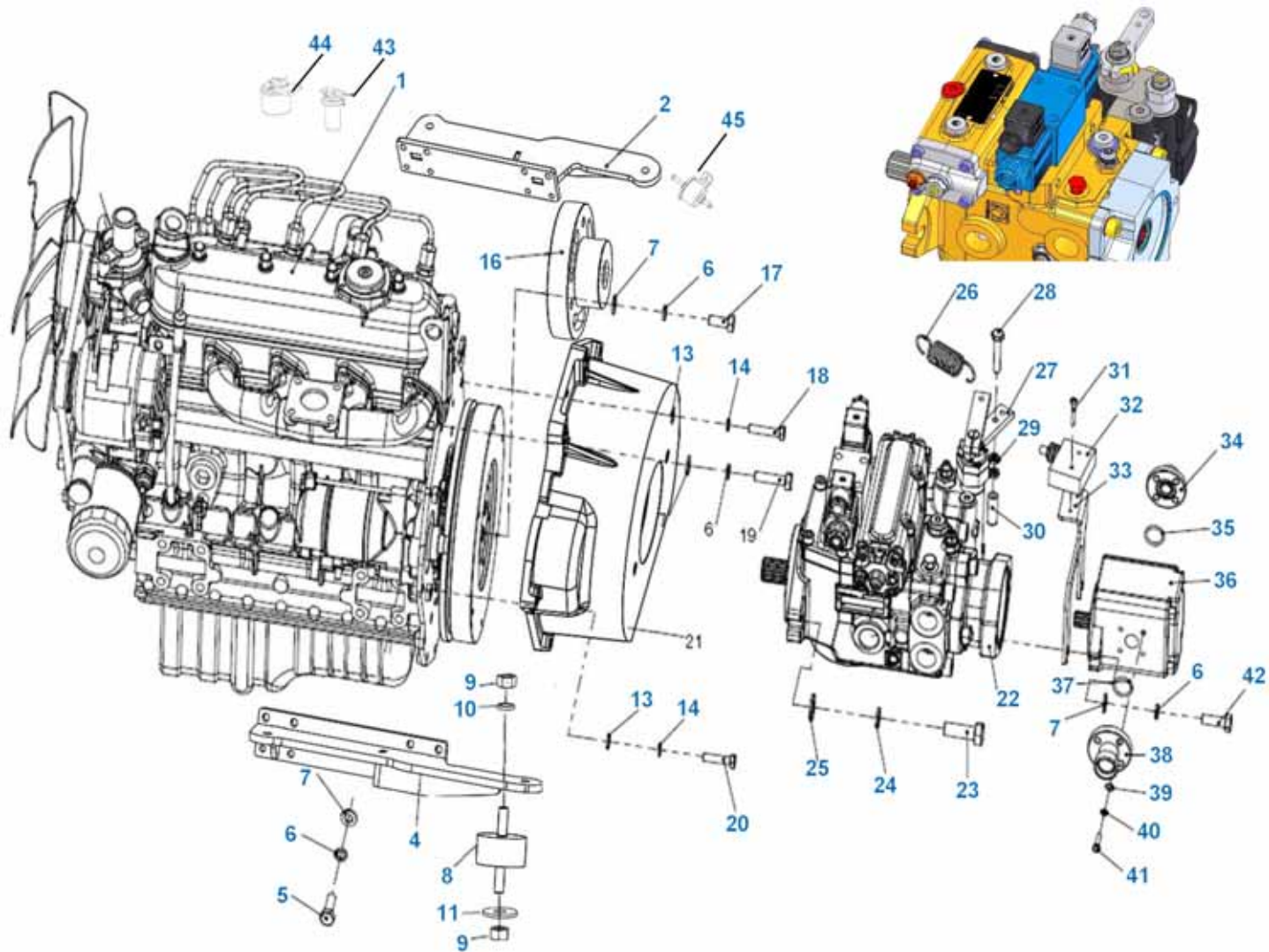
### 3. POWER SYSTEM

#### 3.1 Power system assembly 1



**Power system assembly**

Item	Part number	Part name	Qty	Remark
1	1230-301000-G00	Engine assembly V1505	1	High power
	1230-301000-G10	Engine assembly V1505		Low power (Euro 5)
2	1230-310700-001	Left front foot engine assembly	1	
3	1230-310600-001	Right front foot engine assembly	1	
4	005786 100351	Hexagon head bolt M10x1.25x35	16	
5	000093 000101	Washer 10	23	
6	000095 000101	Washer 10	23	
7	1130-310600-G51	Engine vibration pad	4	
8		Hexagon head bolt M12x40	4	
9	000093 000121	Washer 12	4	
10	000096 000121	Washer 12	4	
11	005783 080251	Hexagon head bolt M8x25	8	
12	000095 000081	Washer 8	21	
13	000093 000081	Washer 8	13	
14	GT889P1-000008-00	Lock Nut 8	8	
15	1230-100700-G00	Coupling	1	
16	005786 100251	Hexagon head bolt M10x1.25x25	3	
17	005783 080401	Hexagon head bolt M8x40	1	
18	005786 100401	Hexagon bolt M10x1.25x40	2	
19	005783 008035	Hexagon head bolt M8x35	4	
20	1020-310001-G00	Clutch Shell	1	
21	1230-302000-G00	Plunger pump M4PV34-34 D240AR3BMVR	1	High power
22	1230-302000-G10	Plunger pump M4PV28-28 A2PAR3BMVPR	1	Low power (Euro 5)
23	005783 140401	Hexagon head bolt M14x40	2	
24	000093 000141	Washer 14	2	
25	000095 000141	Washer 14	2	
26	1130-100006-000	Inching pull-off spring	1	
27	1130-700004-000	Swing arm	1	
28	006172 000008	Hexagon head bolt M8x50	1	

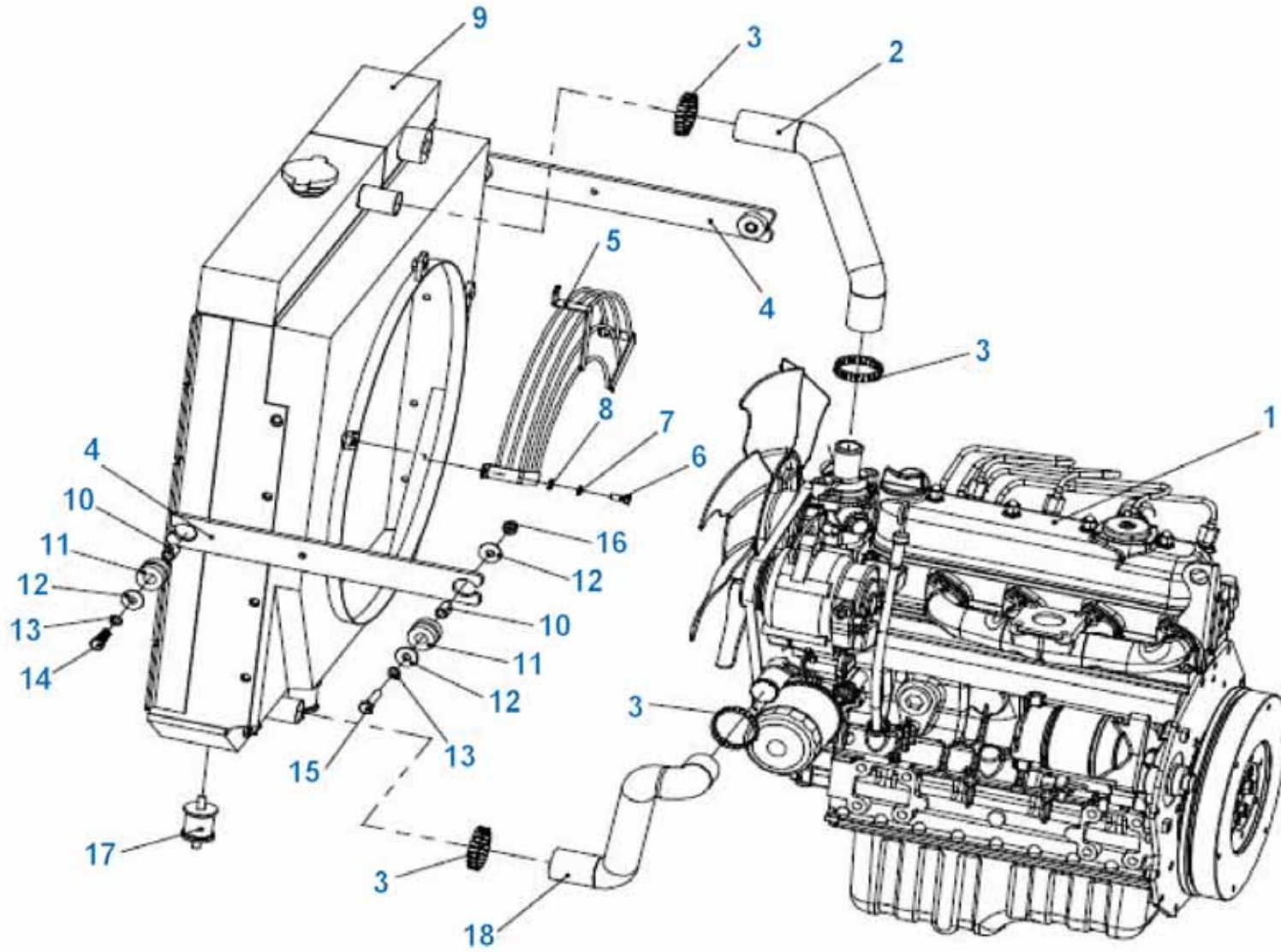


**Power system assembly**

Item	Part number	Part name	Qty	Remark
29	006172 000008	Thin nut M8	1	
30	-	This part has been cancelled	-	
31	000818 004030	Cross-slot pan head bolt M4x30	2	
32	1130-700002-G00	Travel switch	1	
33	1130-700003-000	Travel switch bracket	1	
34	1130-600201-000	Gear pump flange1	1	
35	GT34521-00202P65-00	O-ring	1	
36	1230-303000-G00	Gear pump CBTFB-F415-AF	1	
	1230-303000-G10	Gear pump CBTFB-F416-AF	1	
37	G3452P1-00252P65-00	O-ring	1	
38	1130-600101-000	Gear pump flange 2	1	
39	GT097P1-000005-00	Washer 5	8	
40	000093 000005	Washer 5	8	
41	005783 005020	Hexagon head bolt M5x20	8	
42	GT070P1-010030-01	Inner hexagon head bolt M10x30	2	
43	1130-350400-G00	Oil water separator	1	
44	1130-350300-G00	Fuel filter	1	
45	1130-350200-G00	Suction pump	1	



### 3.2 Power system assembly 2

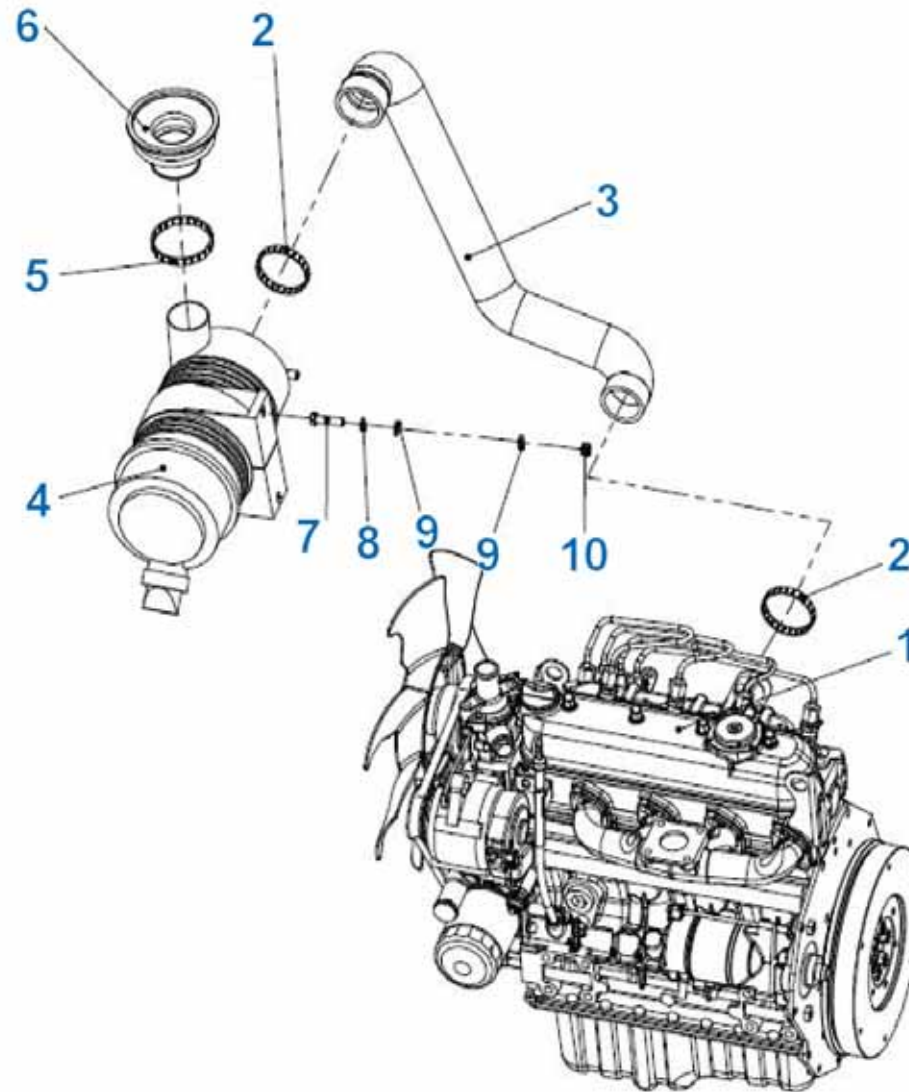




**Power system assembly**

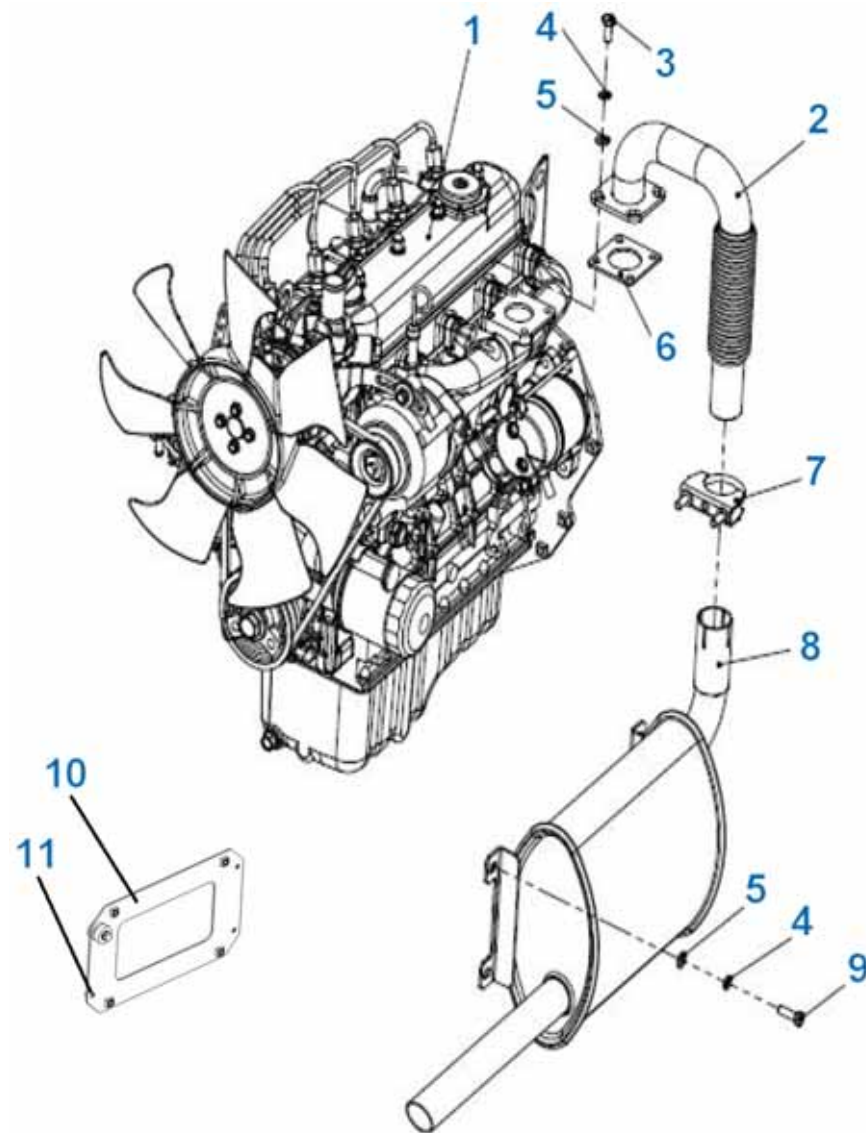
Item	Part number	Part name	Qty	Remark
1	1230-301000-G00	Engine assembly	1	
2	1230-340002-G00	Upper hose	1	
3	008870 032044	Hose clamps 32-44	4	
4	1230-340004-000	Tank bracket	2	
5	1230-340330-G00	Wind protection cover assembly	1	
6	005783-006016	Bolt M6x16	3	
7		Washer 6	3	
8	1230-310700-001	Washer 6	3	
9	1230-340100-G00	Radiator assembly	1	
10	1130-340007-G00	Bushing	4	
11	1130-340006-G00	Tank shock pad	4	
12	000096 000081	Big washer 8	6	
13	000093 000081	Washer 8	4	
14	005783 080301	Bolt M8x30	2	
15	005783 080401	Bolt M8x40	2	
16	000889-000008	Lock nut M8	2	
17	1130-340001-G00	Tank shock pad	2	
18	1230-340001-G00	Downpipe	1	

### 3.3 Air filter



Air filter				
Item	Part number	Part name	Qty	Remark
1	1230-301000-G00	Engine assembly	1	
2	008870 051059	Clamp	2	
3	1230-300005-G01	Engine intake manifold	1	E3
	1230-300005-G10	Engine intake manifold		E5 low power
4	1130-330100-G00	Air filter components	1	
5	008870 038057	Clamp	1	
6	1130-300005-G00	Air filter intake manifold	1	
7	005783-008035	Hexagon head bolt M8x35	2	
8	000093 000081	Washer 8	2	
9	000095 000081	Washer 8	4	
10	GT889P1-000008-00	Lock Nut M8	2	

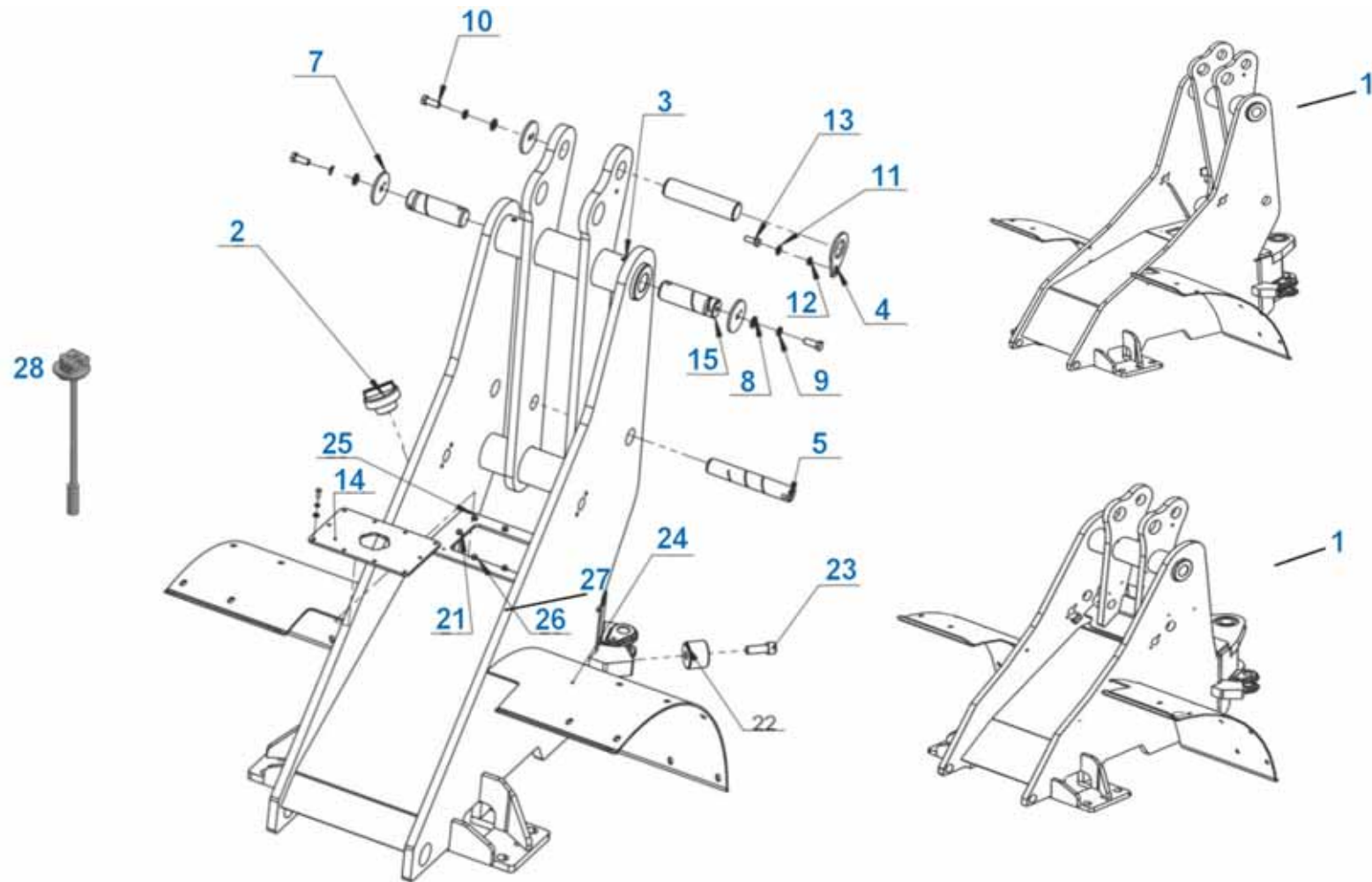
### 3.4 Muffler



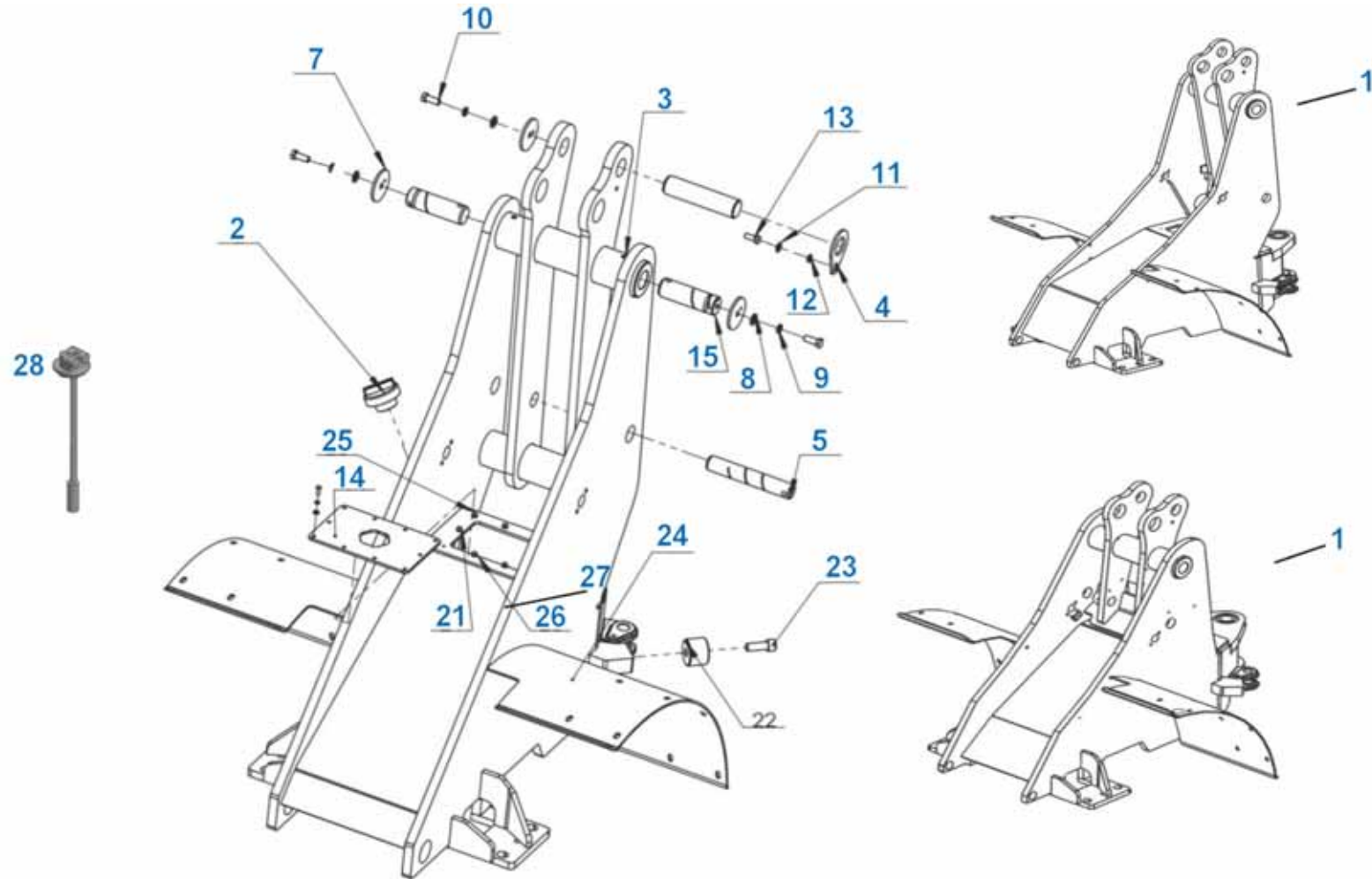
Muffler				
Item	Part number	Part name	Qty	Remark
1	1230-301000-G00	Engine assembly	1	
2	1230-320100-G00	Upper exhaust pipe	1	
3	005783 080201	Bolt M8x20	4	
4	000093 000081	Washer 8	8	
5	000095 000081	Washer 8	8	
6	1130-300407-G00	Exhaust pipe gasket	1	
7	1230-320400-G00	Upper exhaust pipe clamp	1	
8	1230-320300-G00	Muffler	1	
9	005783 080251	Bolt M8x25	4	
10	820-400401-100	Muffler over mounting plate	1	
11	1130-340006-G00	Damping pad	1	

## 4. VEHICLE SYSTEM

### 4.1 Front chassis



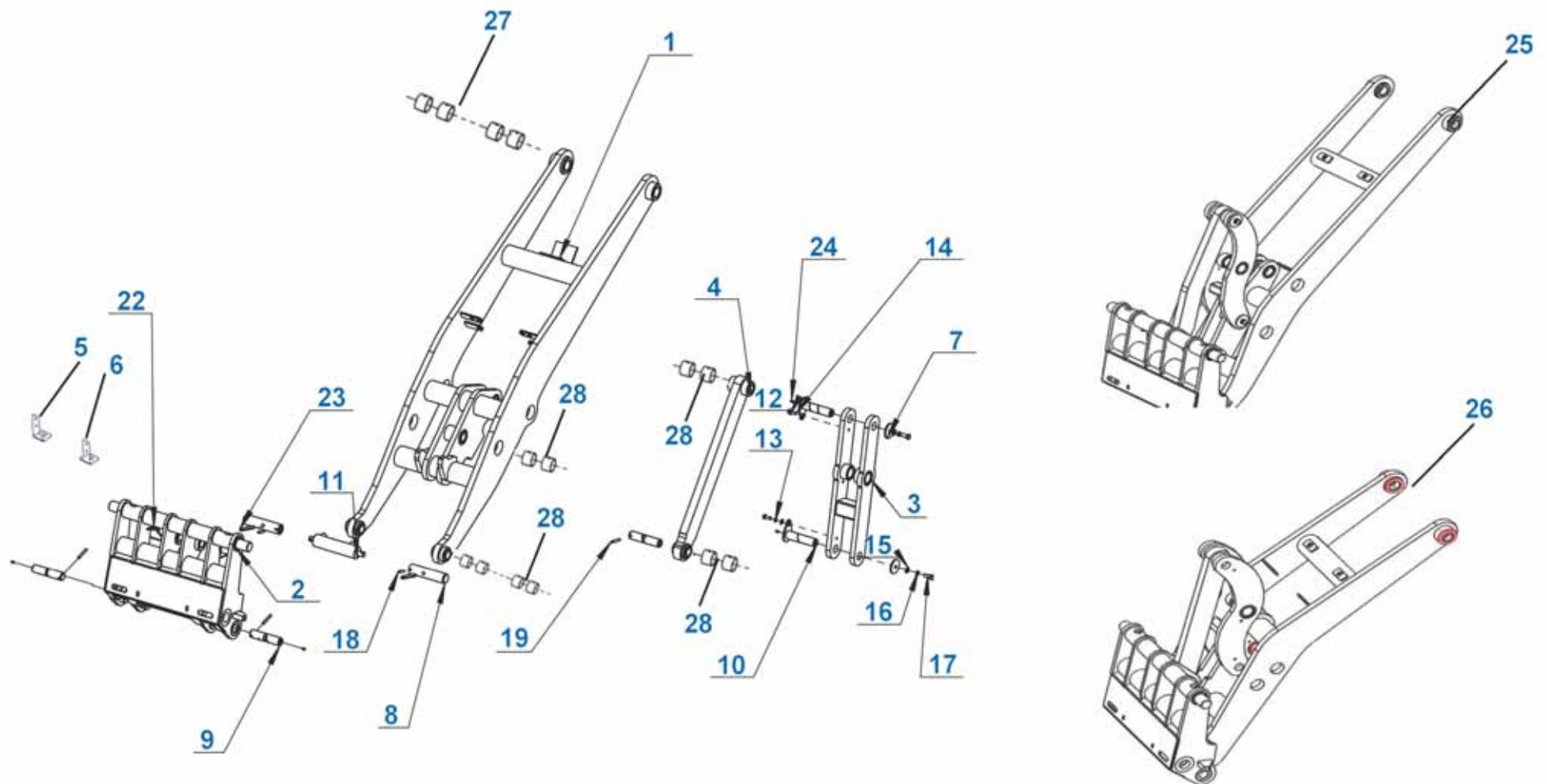
Front chassis				
Item	Part number	Part name	Qty	Remark
1	1230-410000-001	Front chassis (3.1m)	1	
	1230-410000-025	Front chassis (2.56m)	1	
	1230-410000-021	Front chassis (2.1m)	1	
2	1130-410034-G00	Fuel cap	1	
3	008791 010080	Elastic cylindrical pin 10x80	2	
4	1230-410200-000	Pin assembly	1	
5	1130-400004-000	Pin	1	
6	008791 100501	Elastic cylindrical pin 10x50	1	
7	1130-400015-000	Gasket	3	
8	000095 000012	Flat washer 12	3	
9	000093 000121	Spring washer 12	3	
10	005783 120301	Hexagon head bolt M12x30-8.8	3	
11	000971 000101	Washer 10	2	
12	000093 000101	Spring washer 10	2	
13	005783 100251	Hexagon head bolt M10x25-8.8	1	
14	1130-410035-510	Fuel tank cover	1	
15	1130-410102-001	Pin	2	
16	005783 160701	Hexagon head bolt M16x70-8.8	1	
17	005287 000161	Large washer 16	2	
18	000093 000161	Spring washer 16	3	
19	005783 016080	Hexagon head bolt M16x80-8.8	1	
20	006170 016001	Hexagon nut M16-8	1	
21	000093 000061	Flat washer 6	10	
22	1130-400026-000	Steering block	2	
23	000701 160451	Hexagon socket cap screws M16x45-8.8	2	
24	1230-410000-030	Front frame (Homemade wide bridge baffle)	1	
25	000702 060161	Hexagon socket cap screws M6x16-8.8	10	



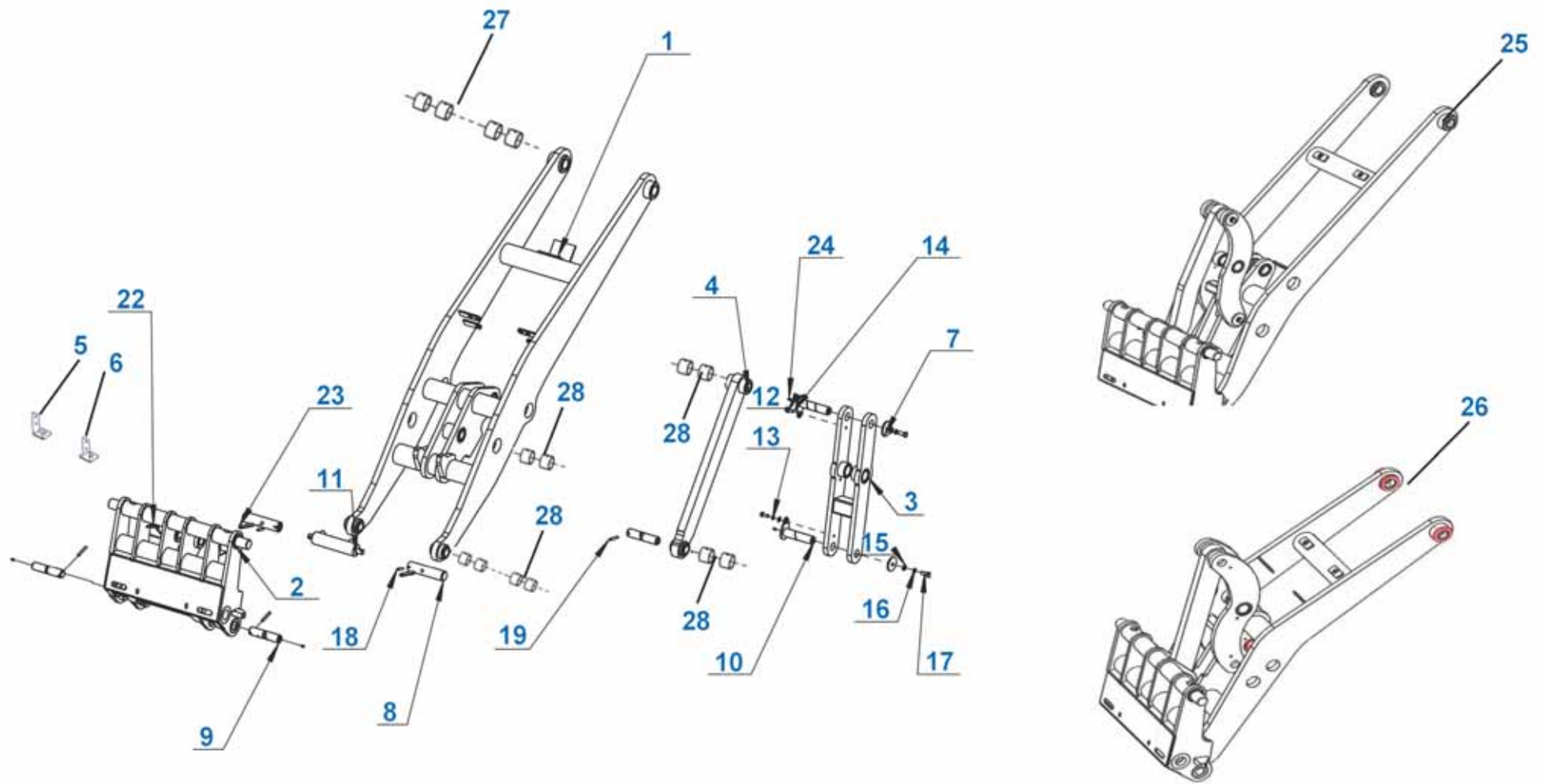


Front chassis				
Item	Part number	Part name	Qty	Remark
26	1230-310700-001	Flat washer 6	10	
27	1130-200100-000	Pin assembly	2	
28	810-701500-G10	Fuel sensor	1	2.1m, 2.56m
	1130-701500-G03	Fuel sensor	1	3.1m

## 4.2 Working device

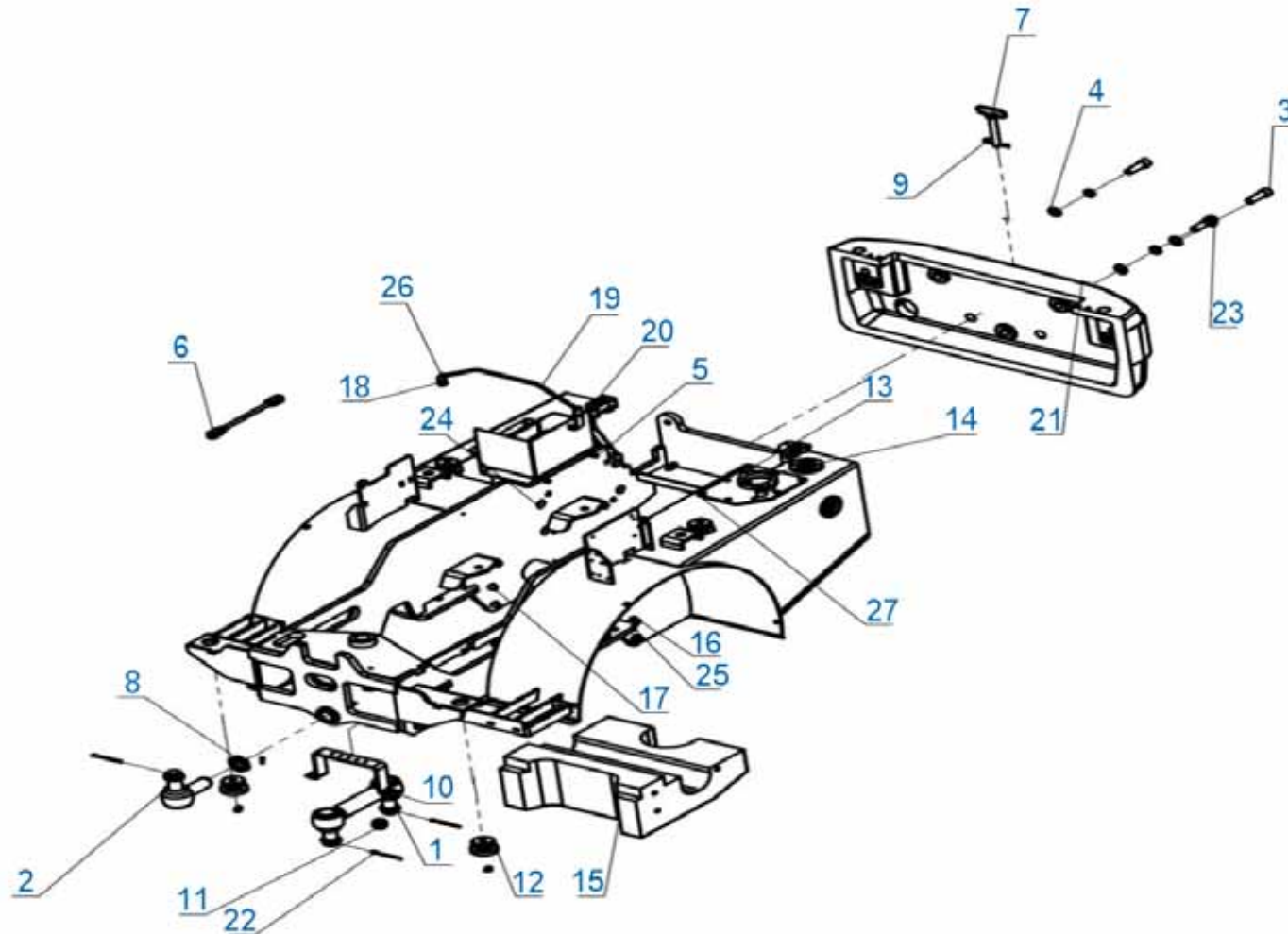


Working device				
Item	Part number	Part name	Qty	Remark
1	1230-431000-001	Arm assembly	1	
2	1230-432000-001	Quickhitch assembly	1	
3	1230-433000-002	Crank arm assembly	1	
4	1230-435000-001	Connecting rod assembly	1	
5	1130-430001-502	Hose mount plate	1	
6	1130-430002-502	Hose mount plate	1	
7	1130-400012-000	Spacer	2	
8	1130-400014-000	Pin	2	
9	1130-400016-001	Pin	3	
10	1130-430200-001	Pin assembly	2	
11	1130-438000-G00	Lock cylinder assembly	1	
12	000971 000101	Washer 10	2	
13	000093 000101	Spring washer 10	2	
14	005783 100251	Hexagon head bolt M10x25-8.8	2	
15	000095 000012	Flat washer 12	2	
16	000093 000121	Spring washer 12	2	
17	005783 120301	Hexagon head bolt M12x30-8.8	2	
18	001191 080401	Cylindrical pin 8x40	2	
19	008791 080601	Elastic cylindrical pin 8x60	3	
20	000971 000081	Flat washer 8	4	
21	000093 000081	Spring washer 8	4	
22	005783 080161	Hexagonal head bolt M8x16-8.8	4	
23	008791 121001	Elastic cylindrical pin 12x100	2	
24	079401 060101	Straight-through type forced filling oil cup M6x1.0	9	



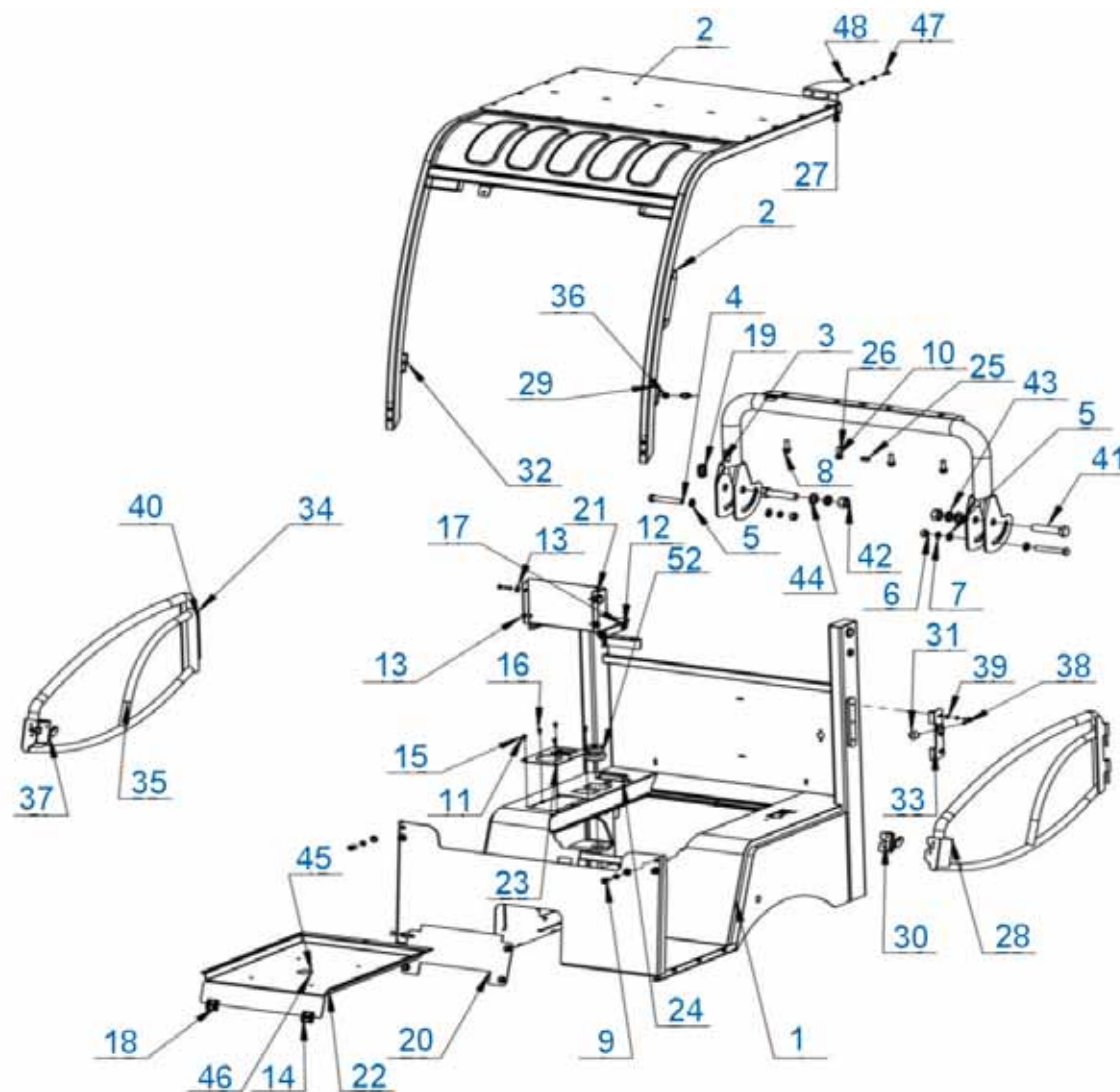
Working device				
Item	Part number	Part name	Qty	Remark
25	1230-430000-025	Working device	1	Lifting height 2.56m
	1230-431000-025	Arm assembly	1	Lifting height 2.56m
	1230-435000-025	Connecting rod assembly	1	Lifting height 2.56m
	1230-433000-025	Crank arm assembly	1	Lifting height 2.56m
26	1230-430000-021	M8x40	1	Lifting height 2.1m
	1230-431000-021	Arm assembly	1	Lifting height 2.1m
	1230-433000-021	Crank arm assembly	1	Lifting height 2.1m
	1230-435000-021	Connecting rod assembly	1	Lifting height 2.1m
27	1130-431011-000	Bearing 40*44*30	4	
28	1130-431012-000	Bearing 32*36*30	10	

### 4.3 Rear chassis



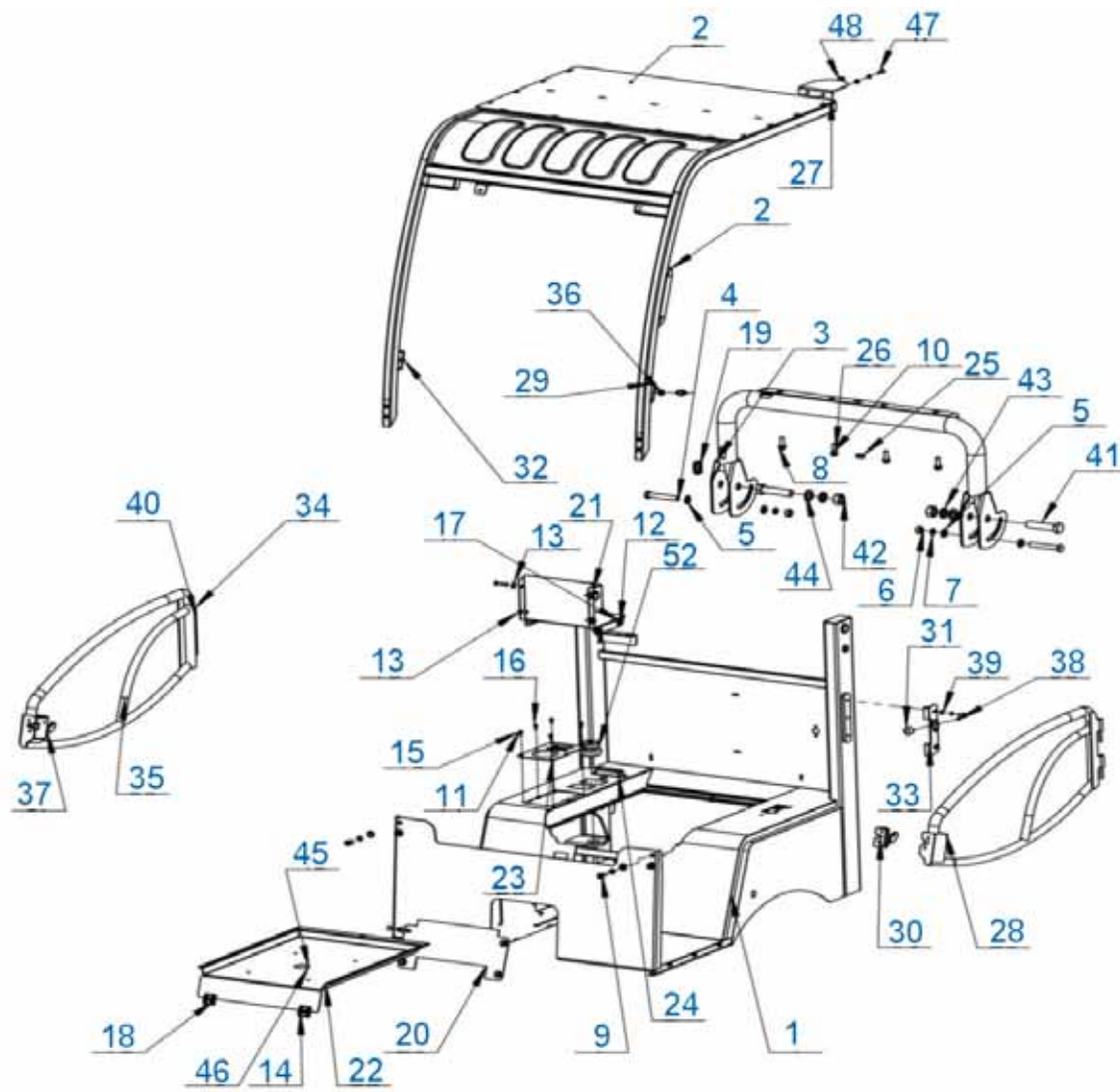
Rear chassis				
Item	Part number	Part name	Qty	Remark
1	1130-400200-000	Bidirectional spherical hinge component	1	
2	1130-400100-000	Unilateral spherical hinge component	1	
3	GT070P1-020060-00	Hexagon socket head screw M20x60-8.8	3	
4	GT097P1-000020-00	Flat washer 20	3	
5	820-400300-100	Battery assembly components	1	
6	1230-400900-000	Limit connecting rod	1	
7	1130-440900-000	Towing bolt	1	
8	1130-400024-G00	Thin nut M38x1. 5	1	
9	1130-440010-G00	Elastic cotter pin d5	1	
10	1230-400021-000	Hose mounting plate	1	
11	1230-470010-000	Outlet retaining ring	1	
12	22C0007-00	Cabin shock pad	4	
13	000971 000061	Flat washer 6	8	
14	000093 000061	Spring washer 6	8	
15	1230-440007-000	Deputy counterweight	1	
16	GT097P1-000016-00	Flat washer 16	6	
17	GT05783-016040-00	Hexagon head bolt M16x40-8.8	6	
18	000093 000081	Spring washer 8	4	
19	1230-400800-100	Connecting rod assembly	1	
20	5783080161	Hexagonal head bolt M8x16-8.8	2	
21	1230-440006-600	Counterweight	1	
22	GT00091-063080-00	Cotter pin 6.3x80	3	
23	000093 000201	Spring washer 20	3	
24	820-400400-100	Muffler transitional mounting plate welding	1	
25	820-420000-100	Rear frame welding (self-made bridge wide baffle)	1	
26	000971 000081	Flat washer 8	4	
27	1230-450100-000	Hydraulic tank cover plate	1	

## 4.4 Bonnet



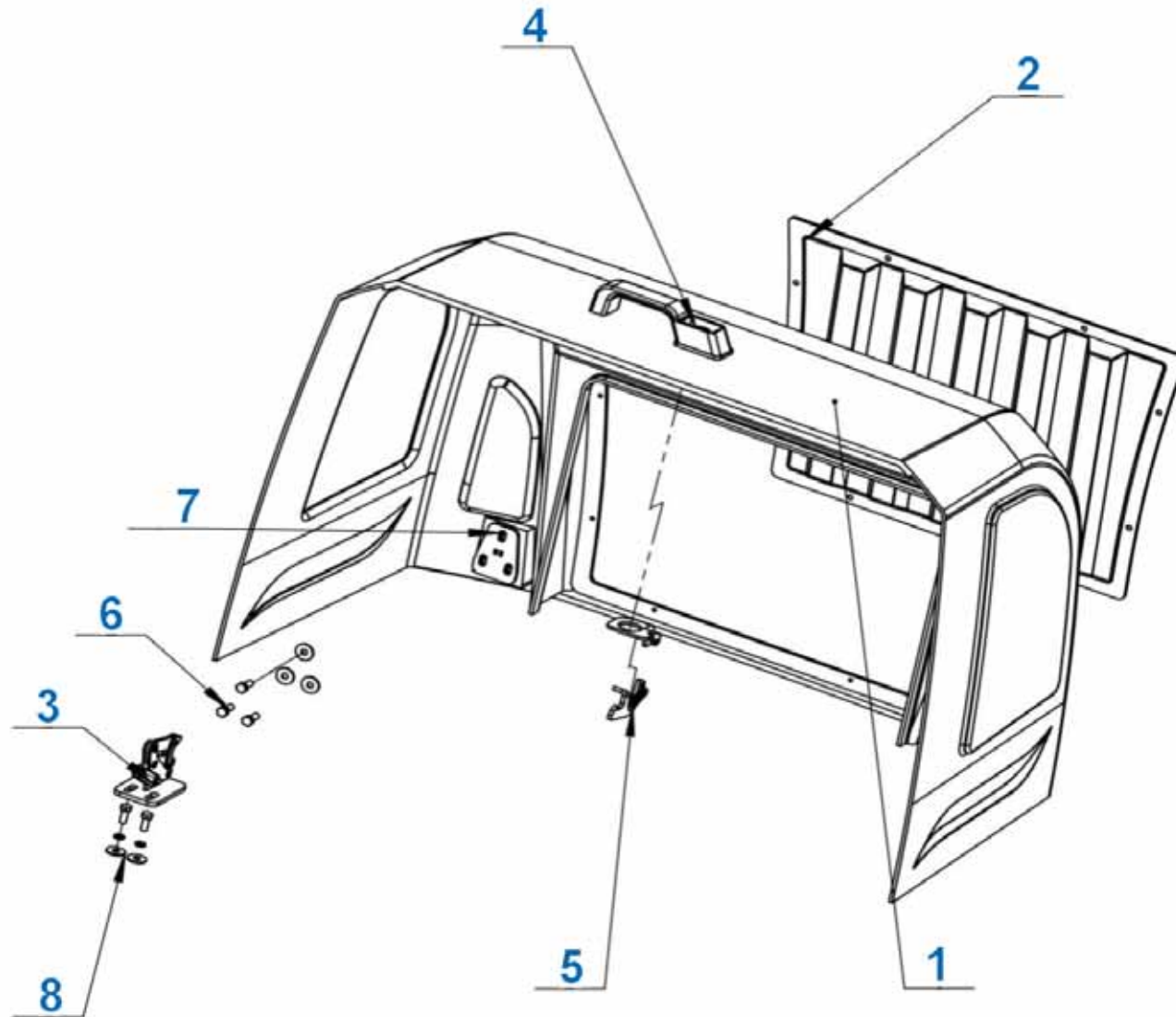


Bonnet				
Item	Part number	Part name	Qty	Remark
1	1230-471000-520	Safety shed welded assembly	1	
2	1230-472000-520	2018 style ceiling	1	
3	820-443000-200	U-shape frame	1	
4	005782 160100	Hexagonal head bolt M16x100-8.8	2	
5	000095 000161	Flat washer 16	4	
6	006170 016001	Hexagon nut M16-8	2	
7	000093 000161	Spring washer 16	3	
8	000095-000121	Flat washer 12	8	
9	000701 120201	Hexagon socket cap screws M12x20-8.8	4	
10	000093 000121	Spring washer 12	8	
11	000093 000061	Flat washer 6	7	
12	000093 000081	Spring washer 8	22	
13	000096 000081	Large washer 8	14	
14	000703 050161	Hexagon socket countersunk head screws M5x16-8.8	8	
15	000095 000061	Flat washer 6	5	
16	000702 060161	Hexagon socket cap screws M6x16-8.8	5	
17	005781-080251	Hexagonal head bolt M8x25-4.8	12	
18	1130-440200-G00	Hinge	2	
19	1130-700001-000	Coil	2	
20	1230-470001-510	Guard board	1	
21	1230-470002-510	Access panel	1	
22	1230-470301-510	Seat baseplate	1	
23	1230-610020-000	Multitandem valve plate	1	
24	1130-701800-G00	6-way fuse box	1	
25	K30G00 540005	Head lamp coil	3	
26	000702 120401	Hexagon socket button head screws M12x40	4	
27	1140-440010-000	Beacon bracket	1	
28	1230-472000-600	Driving barrier assembly (left)	1	



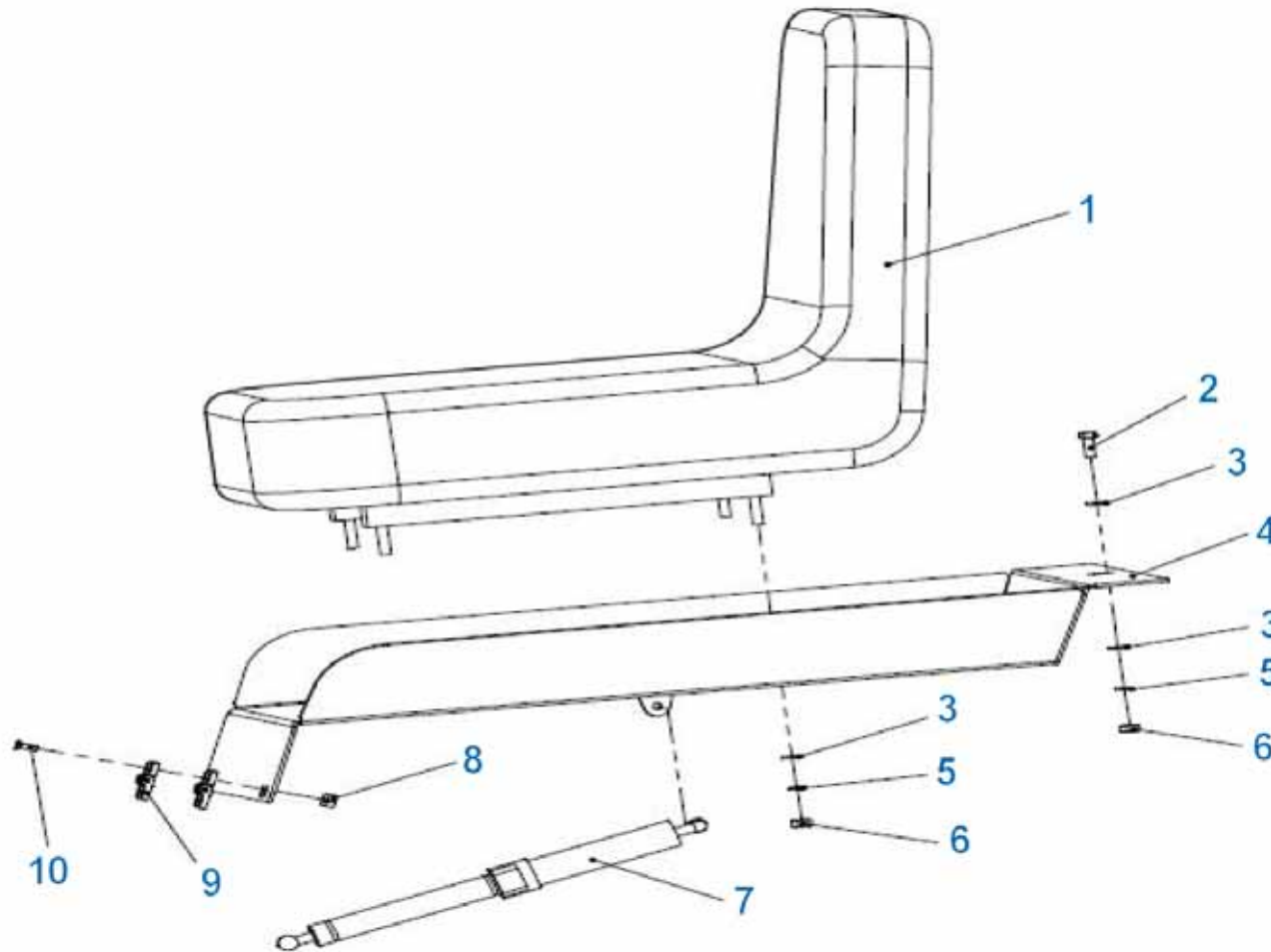
Bonnet				
Item	Part number	Part name	Qty	Remark
29	1230-471032-540	Guardrail lock holder	2	
30	1230-470601-G00	Left lock	1	
31	1130-445400-G00	Shock pad	2	
32	1230-472009-G00	Door lock spring bolt	2	
33	1230-474000-540	Guardrail left hinge plate assembly	1	
34	1230-475000-540	Guardrail right hinge plate assembly	1	
35	1230-473000-600	Driving barrier assembly (right)	1	
36	006170 012001	Hexagon nut M12-6	2	
37	1230-470603-G00	Right lock	1	
38	006170 006001	Hexagon nut M6-8	4	
39	000971 000081	Flat washer 8	6	
40	005781 008016	Hexagonal head bolt M8x16-4.8	6	
41	005782 024110	Hexagonal head bolt M24x110-10.9	2	
42	006170 000024	Hexagon nut M24-8	2	
43	000093 000024	Spring washer 24	2	
44	000095 000024	Flat washer 24	2	
45	1230-470303-000	Air spring bracket	1	
46	1230-470400-G00	Air spring L=335	1	
47	005781 008020	Hexagonal head bolt M8x20-4.8	4	
48	000095 000008	Flat washer 8	2	
49	820-440004-538	Lock hook mounting plate	1	
50	GT070P1-006080-00	Socket head cap screw M6x80-8.8	1	
51	000096 000061	Large washer 6	2	
52	22C0007-00	Cabin shock pad	2	
53	005287 000161	Extra large washer 16	1	
54	005783 160701	Hexagon head bolt M16x70-8.8	1	

## 4.5 Rear bonnet



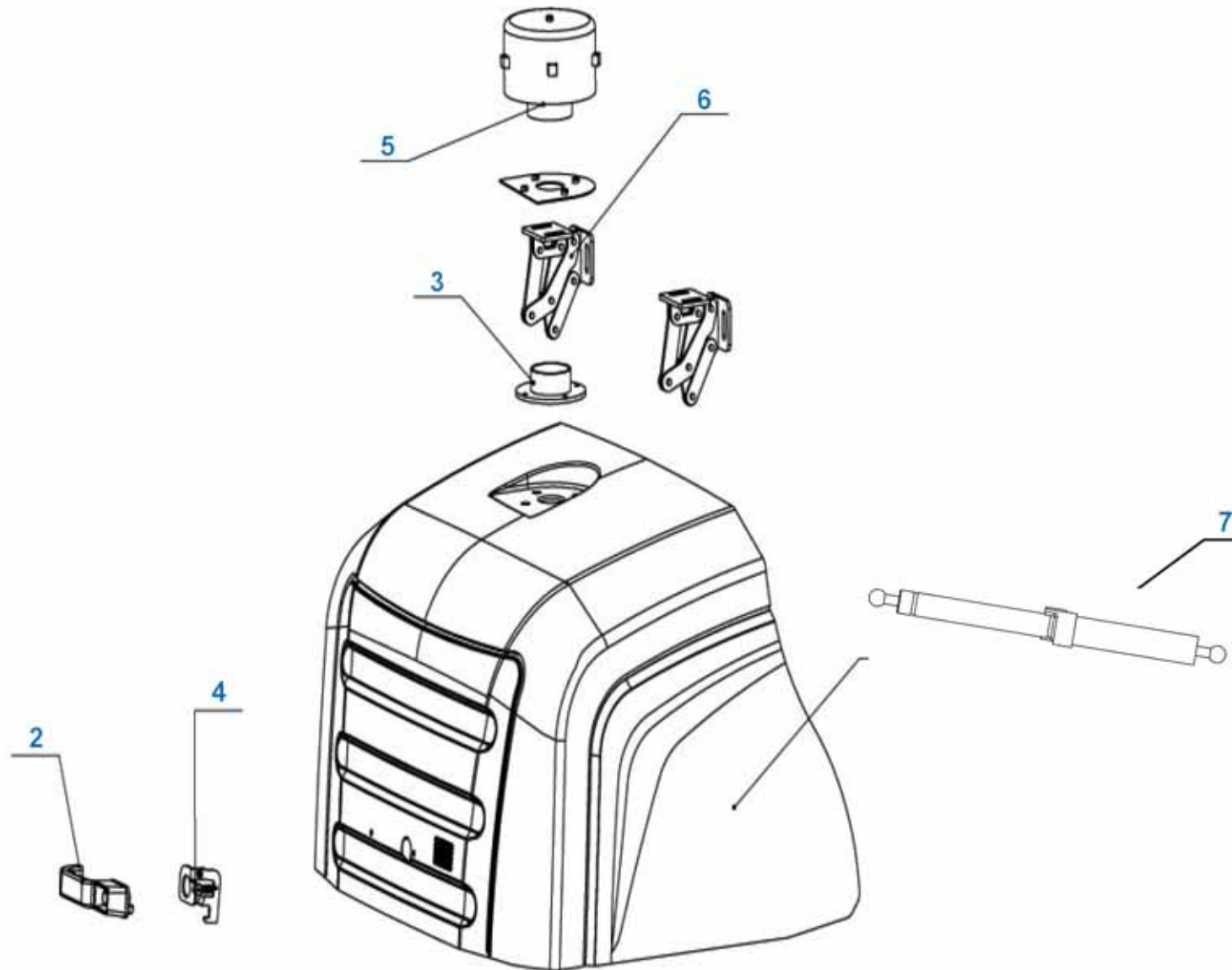
Rear bonnet				
Item	Part number	Part name	Qty	Remark
1	820-445101-538	Tail cover	1	Half drive
2	820-445300-000	Rear protecting net assembly	1	
3	1130-445220-010	Hinge assembly	2	
4	810-445600-538	New tail cover lock handle	1	
5	850-440003-538	Lock hook assembly	1	
6	005783 080201	Hexagon head bolt M8x20-8.8	10	
7	000093 000081	Spring washer 8	12	
8	000096 000081	Large washer 8	10	

## 4.6 Seat



Seat				
Item	Part number	Part name	Qty	Remark
1	1130-440100-G00	Seat	1	
2	005783 080201	Hexagonal head bolt M8x20	1	
3	000971 000081	Flat washer 8	6	
4	1230-470300-000	Seat baseplate	1	Half drive
5	000093 000081	Washer 8	5	
6	006170 000081	M8 nut	5	
7	1230-470400-G00	L=335 air spring	1	
8	1230-471202-000	Hinge fixed plate	2	
9	1130-440200-G00	Seat hinge	2	
10	000703 050201	Hexagon socket countersunk head screws M5x20	8	

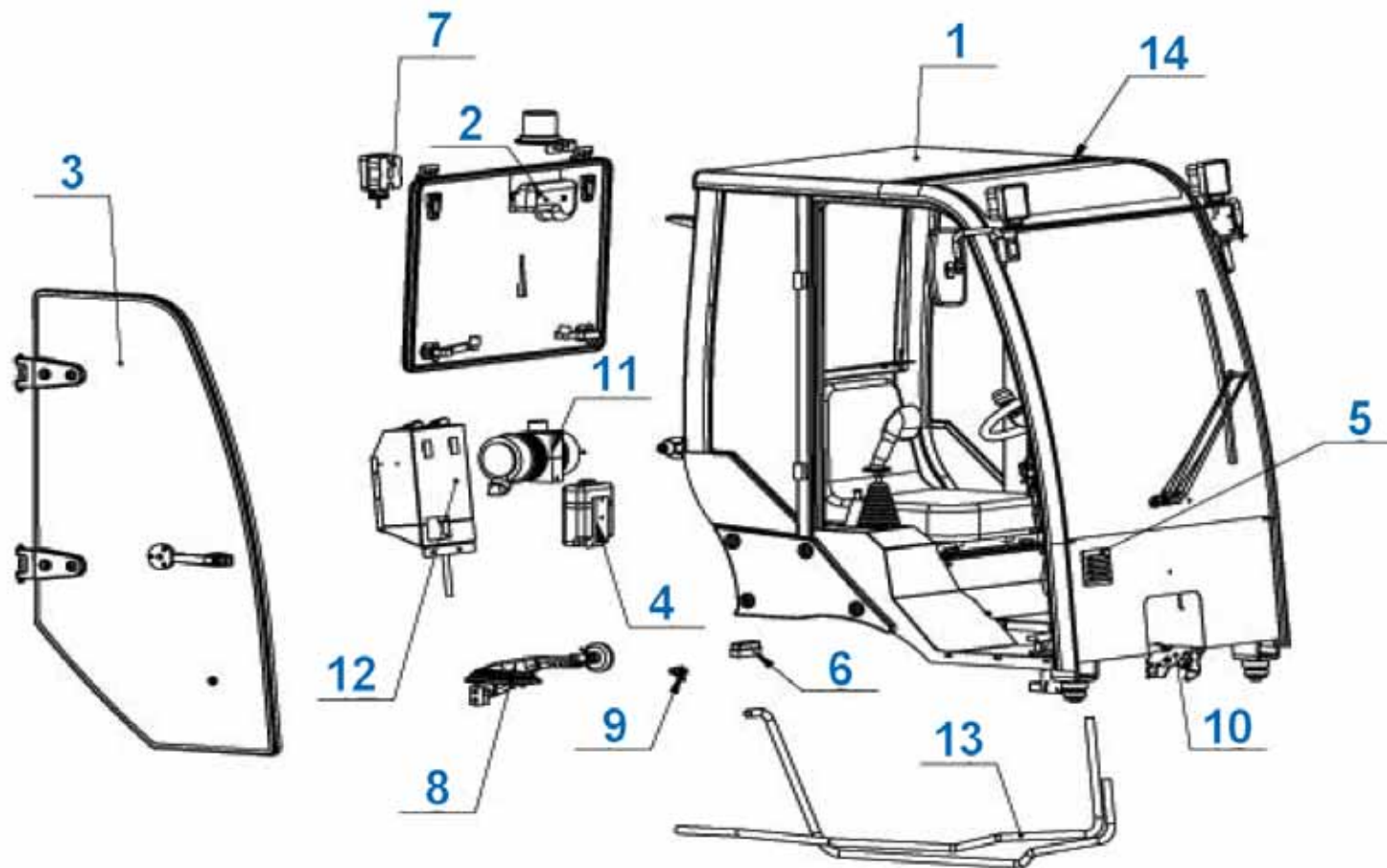
## 4.7 Rear bonnet





Rear bonnet				
Item	Part number	Part name	Qty	Remark
1	820-440500-G10	Rear bonnet	1	New all-drive
2	810-445600-538	New tail cover lock handle	1	
3	850-300100-000	Air filter mount assembly	1	
4	850-440003-538	Lock hook assembly	1	
5	820K30G00 323000	Air pre-filter	1	
6	850-445200-100	Hood hinge (850 Yanmar)	2	
7	820-470400-G00	Air spring	1	QB16-435x150x300N

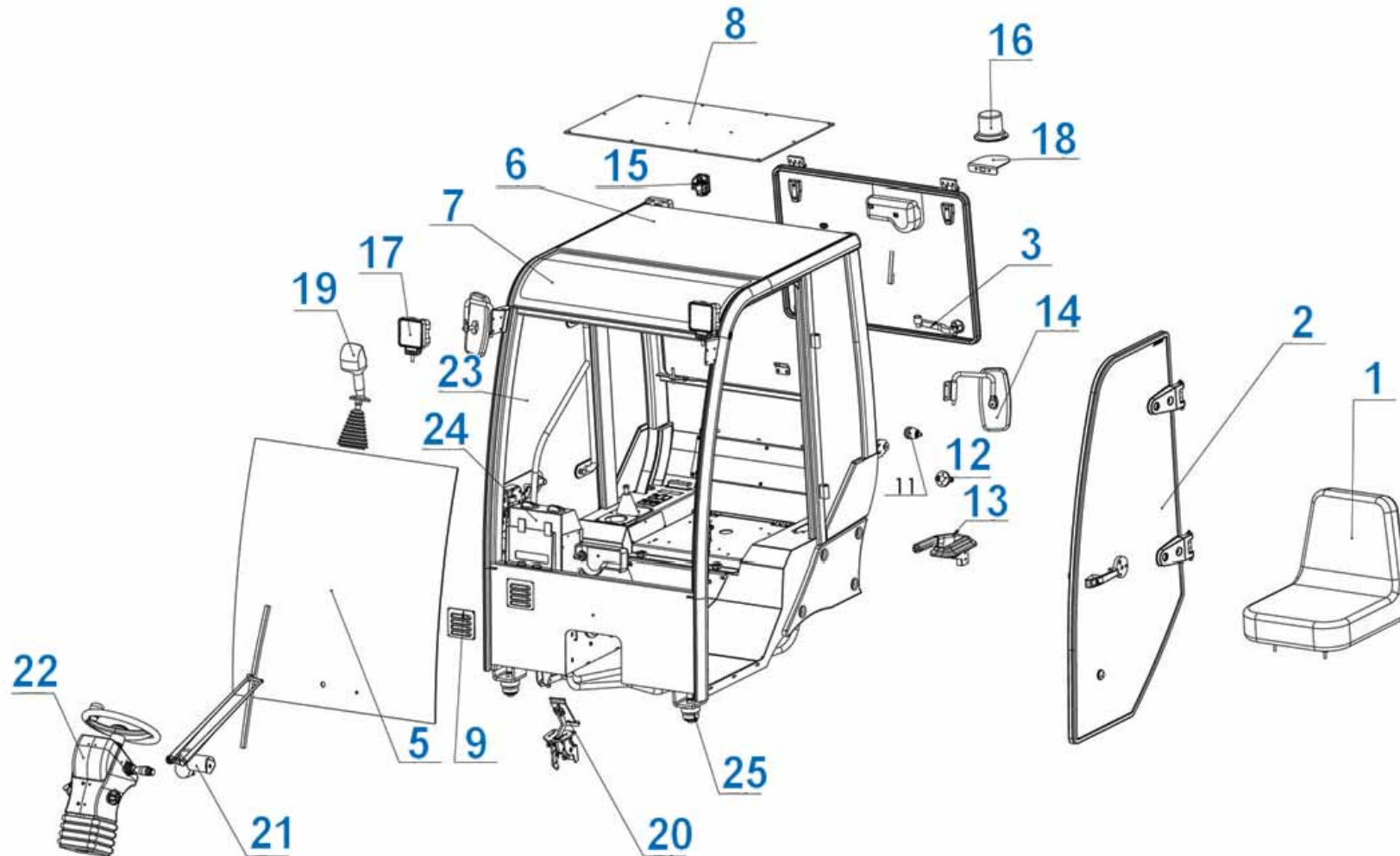
## 4.8 Cab mounting assembly I



**Cab mounting assembly I**

Item	Part number	Part name	Qty	Remark
1	820-471000-300	Cab welding assembly	1	
2	1140-474009-003	Wiper sheath	1	
3	850-473000-300	Right side door	1	
4	XD-105	Scrubber pot	1	
5	HDY-A	Louvered tuyere	1	
6	1130-701800-G00	6 way fuse box HG-4735-S6C	1	
7	1130-921000-000	Front work light	1	
8	1130-100400-G10	Hand brake assembly	1	
9	730101000127	Adapter connector	2	
10	1230-500300-500	1230 foot brake (master cylinder type)	1	
11	1130-330100-G00	Air filter	1	
12	21J-1	Heater assembly	1	
13	750005000043	Water pipe $\phi$ 16-24x2610	1	
14	1230-470001-200	Ceiling glass cover	1	

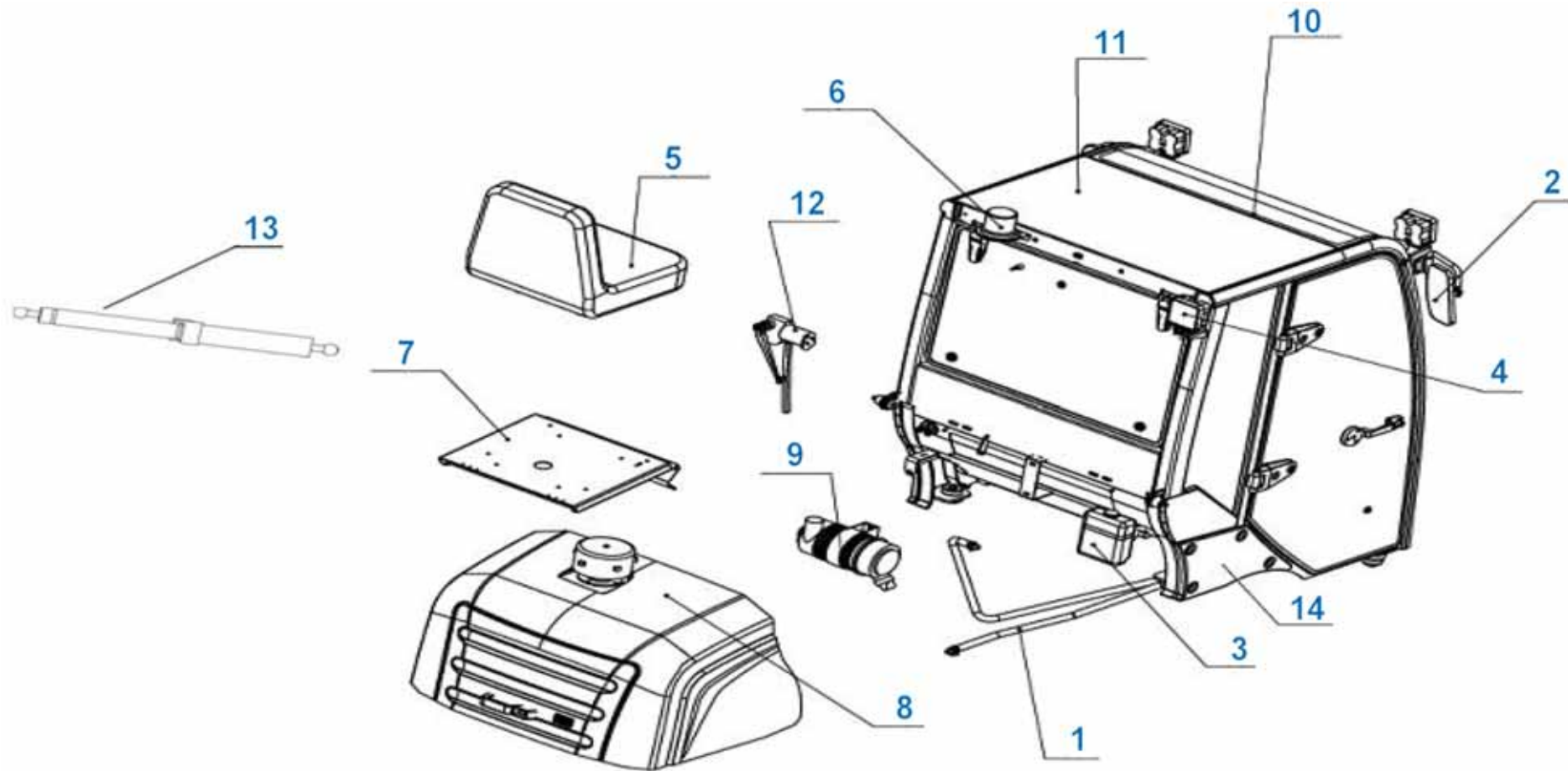
## 4.9 Cab mounting assembly II



**Cab mounting assembly II**

Item	Part number	Part name	Qty	Remark
1	1130-440100-G00	Seat	1	
2	850-472000-300	Left door assembly	1	
3	820-474000-300	Rear window assembly	1	
4	1230-470005-500	Lock cylinder bracket plate	2	
5	750699000098	Front windscreen Glass	1	
6	820-471000-300	Cab welding	1	
7	1230-470001-200	Top glass cover	1	
8	820-470007-300	Interior roof panel	1	
9	HDY-A	Shutter type tuyere	1	
10	K30G00 540005	Headlamp coil	9	
11	1140-440700-003	door latch assembly	2	
12	1130-701900-G00	Main power switch	1	
13	1130-100400-G10	Hand brake assembly	1	
14	1130-440700-G00	Mirror	2	
15	K30000 540008	Right square tube trim	1	
16	1130-922000-000	New warning light	1	
17	1130-921000-000	Front work light	3	
18	810-440012-000	Warning light bracket	1	
19	1130-720000-030	Handle assembly	1	
20	1230-500300-500	1230 foot brake (master cylinder type)	1	
21	ZD1430-70SQ	Front wiper assembly	1	
22	810-710000-200	Instrument assembly	1	
23	850-473000-300	Right door assembly	1	
24	850-477000-000	Heating system	1	
25	22C0007-00	Cabin shock pad	4	

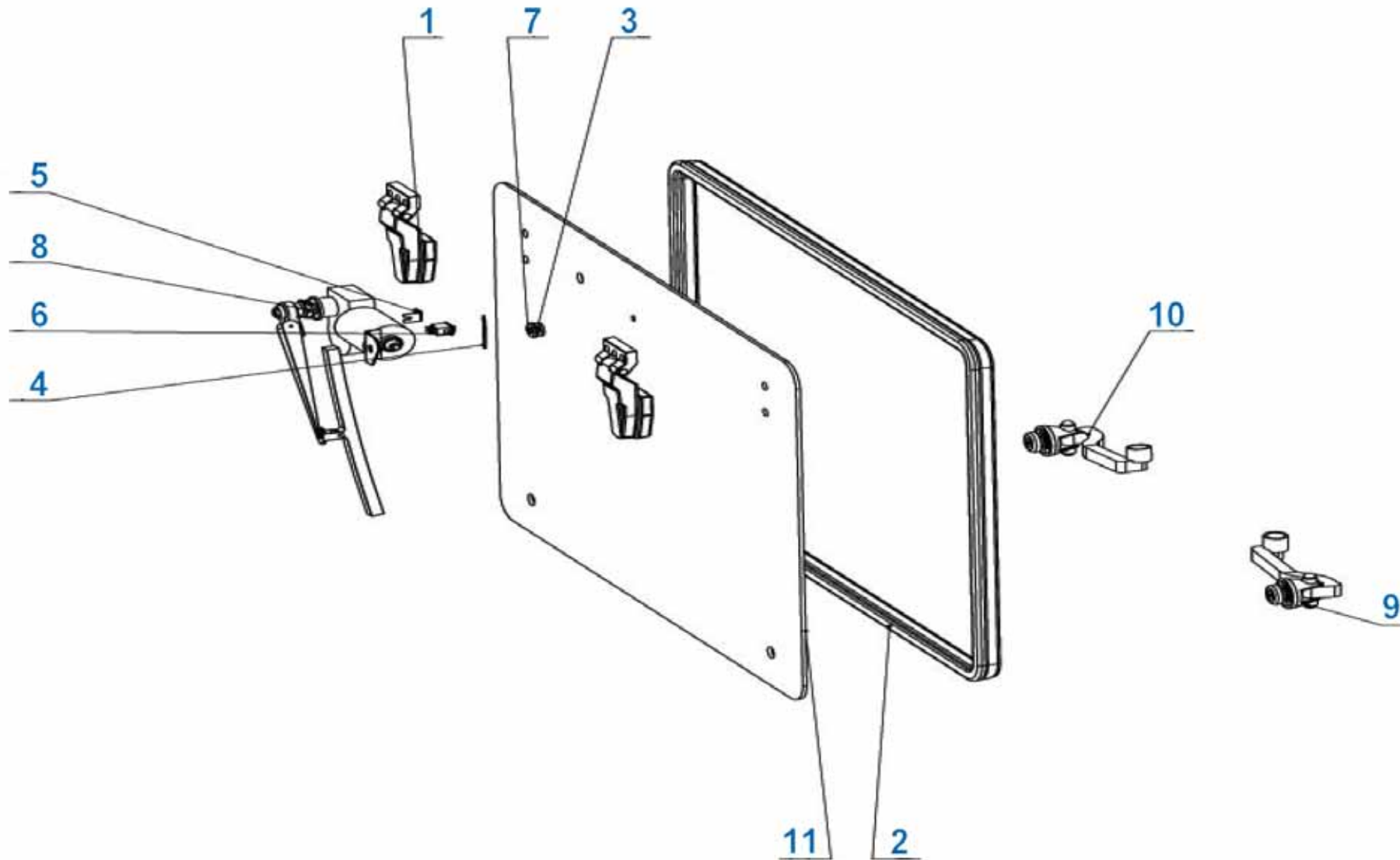
## 4.10 Cab mounting assembly III



**Cab mounting assembly III**

Item	Part number	Part name	Qty	Remark
1	850-477000-000	Heating system	1	
2	1130-440700-G00	Mirror	2	
3	XD-105	Scrubber pot	1	
4	1130-921000-000	Front work light	3	
5	1130-440100-G00	Seat	1	
6	1130-922000-000	New warning light	1	
7	820-475000-300	Seat mounting plate welding	1	
8	820-440000-100	Tail hood assembly	1	
9	1130-330100-G00	Air filter	1	
10	1230-470001-200	Top glass cover	1	
11	820-471000-300	Cab welding	1	
12	806947050200	Wiper assembly	1	
13	820-470400-G00	Air spring	1	QB16-435x150x300N
14	820-470010-300	Cab left side panel	1	

## 4.11 Rear window assembly

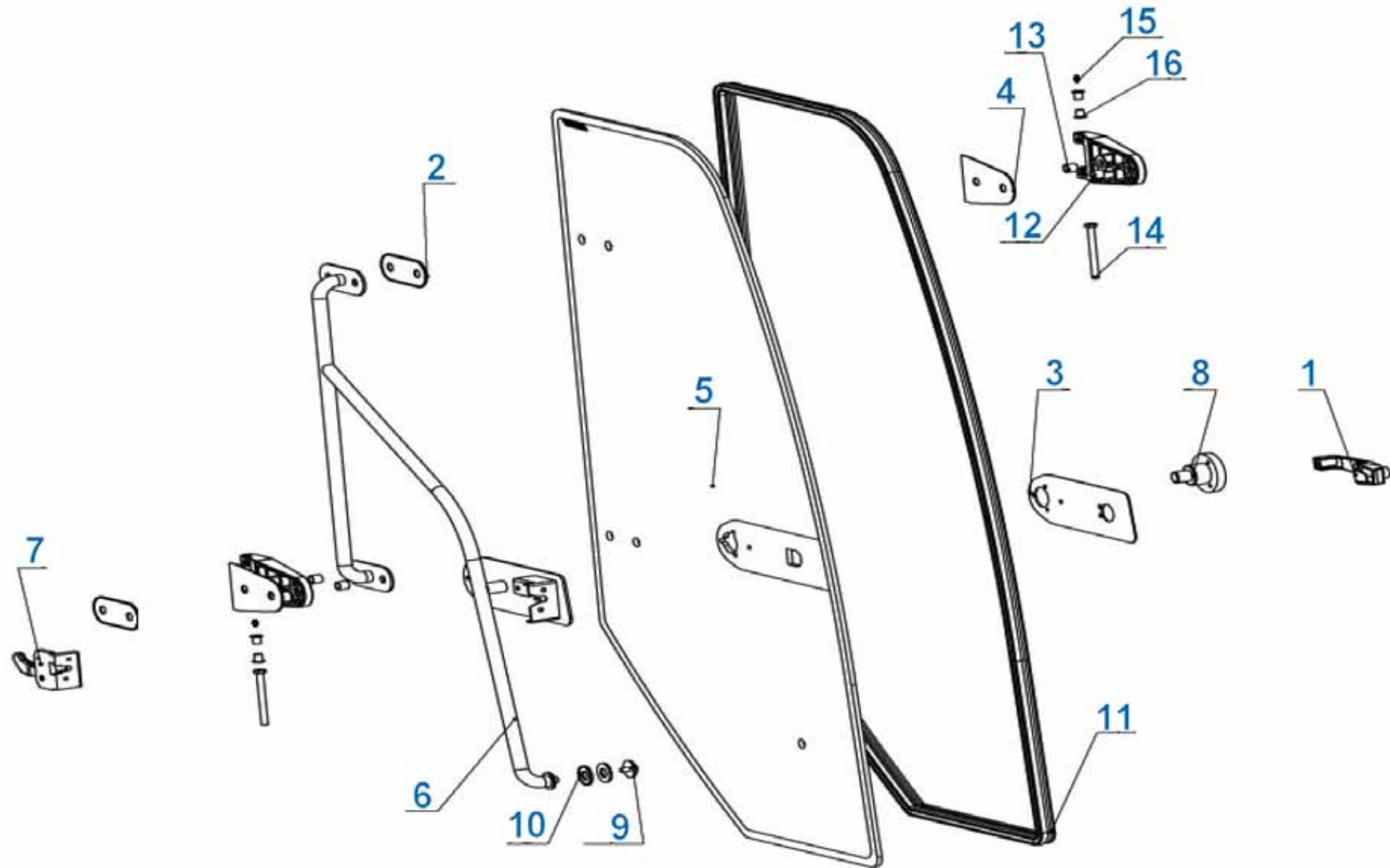




**Rear window assembly**

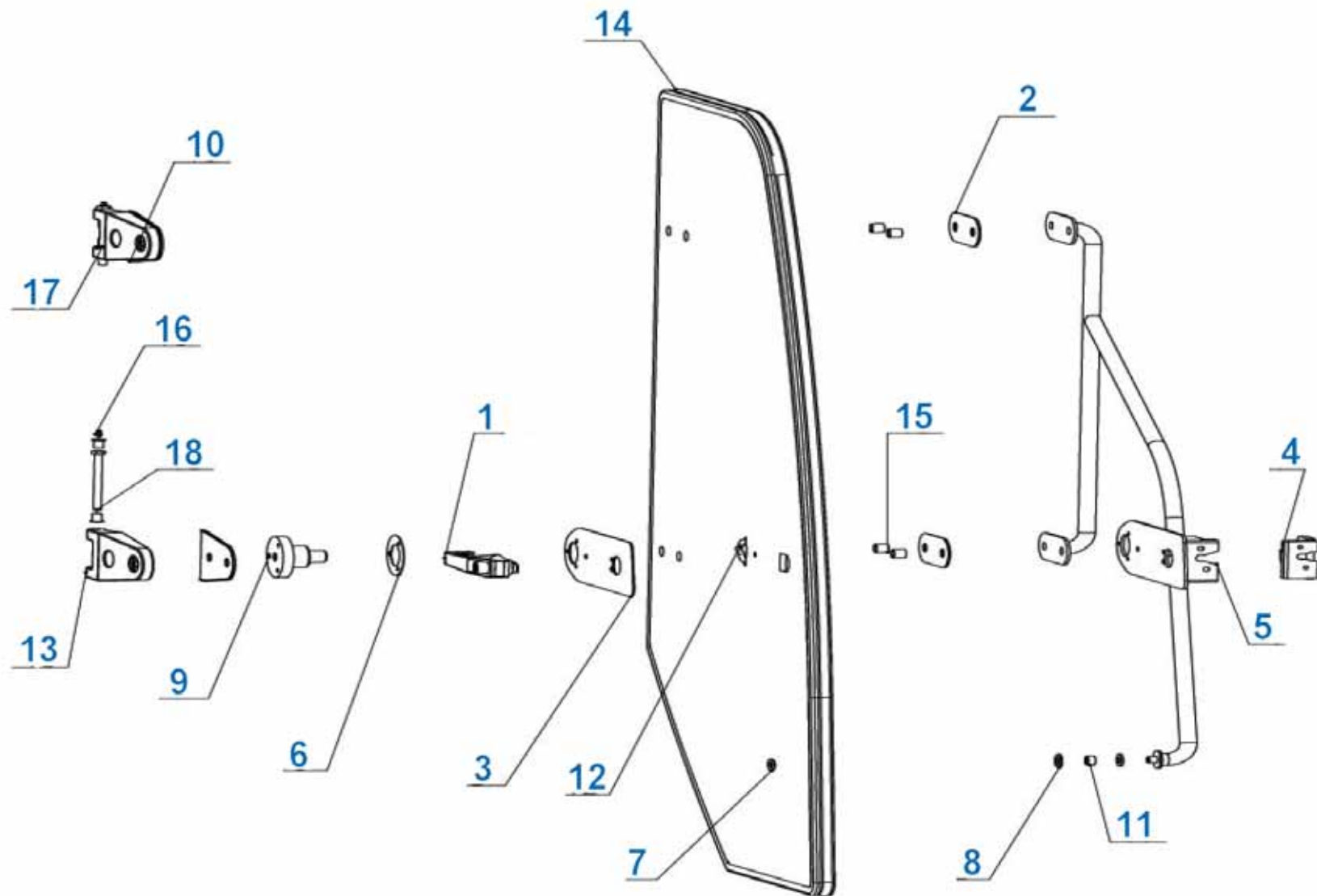
Item	Part number	Part name	Qty	Remark
1	K30G00 585300	Rear window hinge assembly	2	
2	820-474003-300	Sealing strip	1	
3	1130-400014-000	Rubber pad	1	
4	810-474008-100	Wiper rubber pad	1	
5	1140-474010-003	Fixed plate	1	
6	KEL-601A204	Rocker switch	1	
7	1230-472005-000	Washer	1	
8	806947050200	Wiper assembly	1	
9	DS542-2L	Rear window folding	1	
10	DS542-2R	Rear window folding	1	
11	820-470004-300	Rear window	1	

## 4.12 Left door assembly



Left door assembly				
Item	Part number	Part name	Qty	Remark
1	1230-470602-G00	Door lock handle	1	
2	1230-470002-000	Rubber pad	2	
3	1140-472004-003	Rubber pad	1	
4	1140-472005-003	Cab hinge rubber pad	2	
5	850-472001-300	Side door glass	1	
6	1230-473100-500	Left door lock fixing plate assembly	1	
7	1230-470601-G00	Left side lock	1	
8	1140-440600-003	Door impact lock seat assembly	1	
9	K30G00 585202	Glass fixing bolt	1	
10	K30G00 580302	Fixed glass rubber pad	2	
11	850-472004-200	Sealing strip	1	
12	850-472006-300	Cab door hinge plate	2	
13	850-472005-200	Bush	4	
14	1140-470402-003	Pin	2	
15	079401 006101	Straight-through type forced filling oil cup M6x1.0	2	
16	EPB3F-1012#15	Nylon bushing	4	

### 4.13 Right door assembly

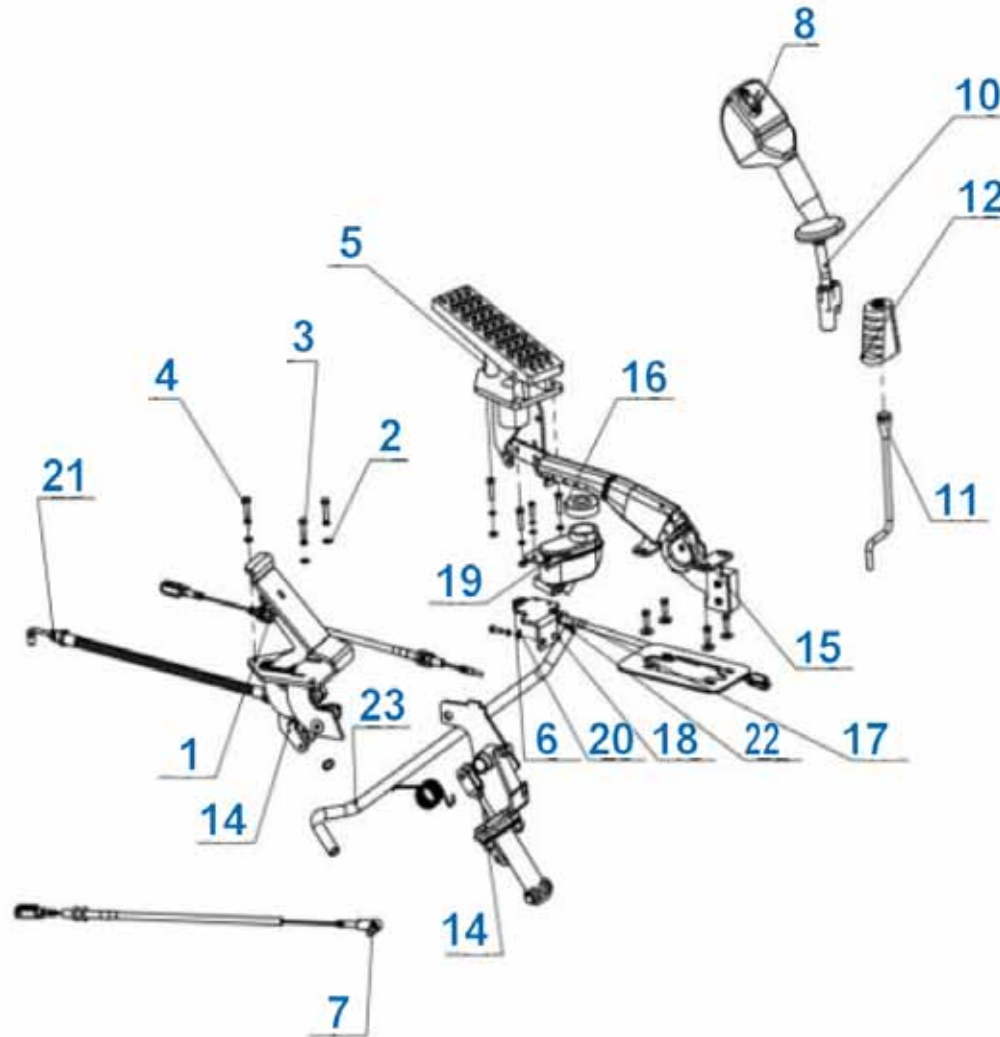


**Right door assembly**

Item	Part number	Part name	Qty	Remark
1	1230-470602-G00	Door lock handle	1	
2	1230-472002-000	Rubber pad	2	
3	1140-472004-003	Rubber pad	1	
4	1230-470603-G00	Right lock	1	
5	1230-472100-500	Right door fixing plate assembly	1	
6	1140-440602-003	Door touch rubber pad	1	
7	1230-472003-000	Rubber pad	2	
8	1230-472005-000	Washer	1	
9	1140-440600-003	Door impact lock seat assembly	1	
10	1140-472005-003	Cab hinge rubber pad	2	
11	1140-472006-003	Bush 2	1	
12	850-473001-300	Right side door glass	1	
13	850-472006-300	Cab door hinge plate	2	
14	850-473004-300	Sealing strip	1	
15	850-472005-200	Bush	4	
16	079401 006101	Straight-through type forced filling oil cup M6x1.0	2	
17	EPB3F-1012#15	Nylon bushing	4	
18	1140-470402-003	Pin	2	

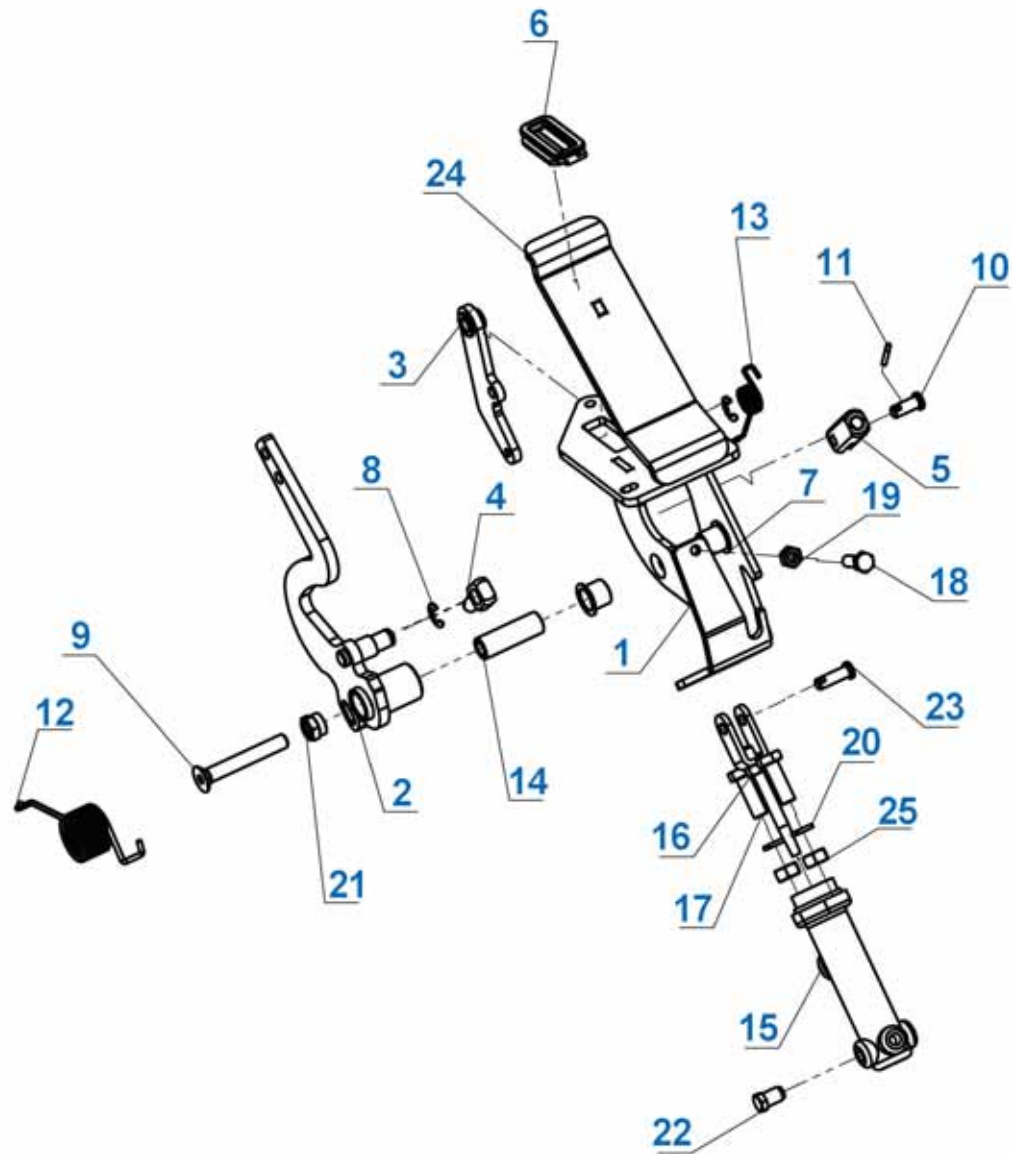
## 5. OPERATION SYSTEM

### 5.1 Operation system



Operation system				
Item	Part number	Part name	Qty	Remark
1	1230-100600-G00	Hand brake assembly	1	
2	000095 000061	Gasket 6	6	
3	000093 000061	Spring washer 6	6	
4	005783 006025	Hexagon bolt M6x25-8.8	6	
5	1130-500200-G00	Accelerator pedal component	1	
6	1230-360100-G00	Accelerator cable	1	
7	1230-100200-G00	Inching cable	1	
8	1130-720000-030	Control handle assembly	1	
9	006170 012001	Hexagonal head nut M12-6	1	
10	1230-600009-G00	Main handle sheath	1	
11	1130-600520-G00	Small handle	1	
12	1230-600008-G00	Small handle sheath	1	
13	1140-440013-003	Connecting plate (bridge)	1	
14	1230-500300-500	Foot brake (brake pump)	1	
15	1130-100400-G10	Hand brake assembly	1	
16	K30G00 610300	Brake oil cup	1	
17	1230-500001-500	Brake oil cup bracket	1	
18	GT05783-005016-00	Hexagon bolt M5x16-8.8	4	
19	000093 000051	Spring washer 5	4	
20	000095 000051	Gasket 5	4	
21	1230-500600-000	Brake hose assembly	1	
22	JT08870-010016-00	clamp 16	2	
23	1230-500002-000	Brake oil cup hose	1	

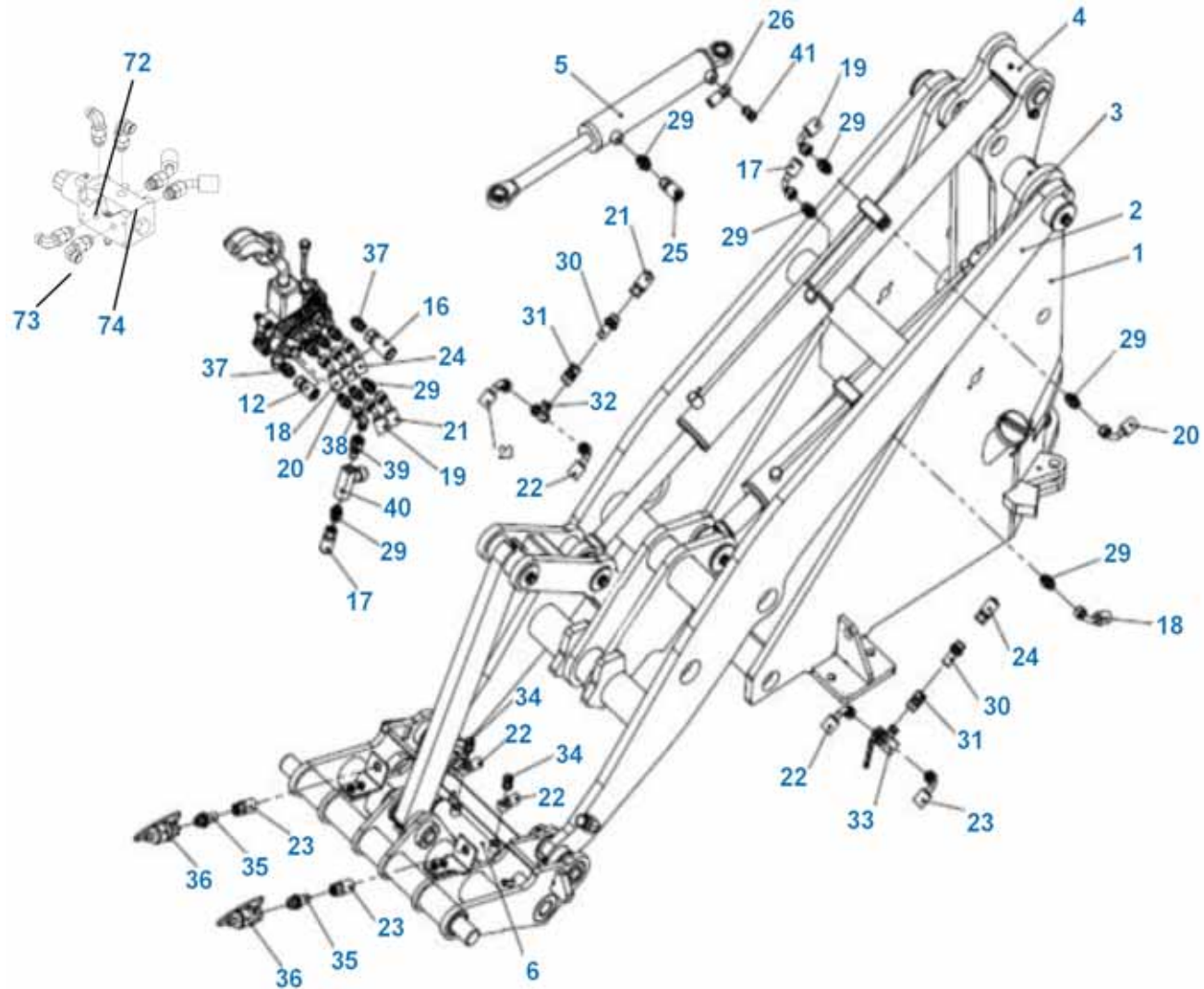
## 5.2 Foot brake

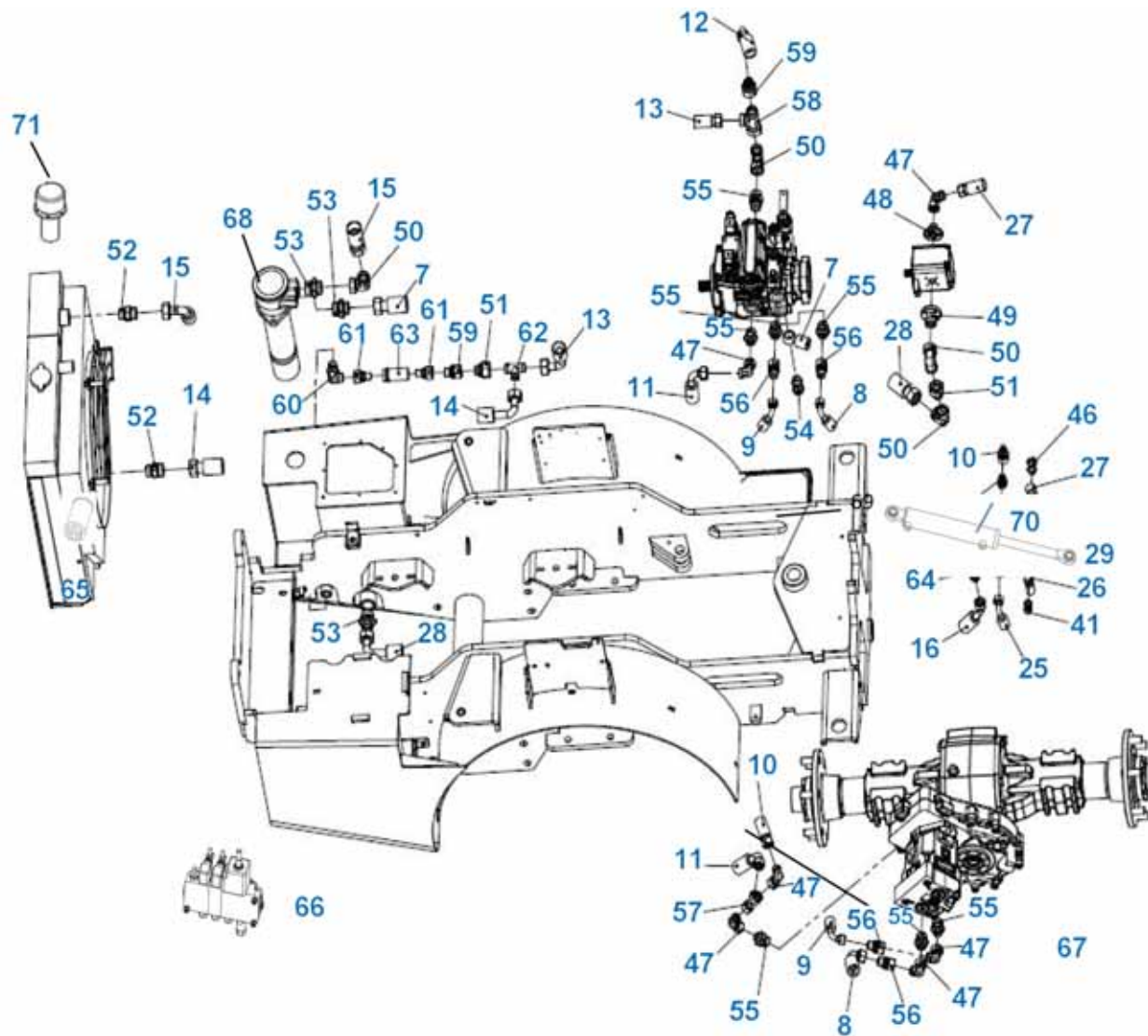




Foot brake				
Item	Part number	Part name	Qty	Remark
1	1230-500310-500	Foot brake fixing bracket assembly	1	
2	1230-500320-500	Brake bend assembly	1	
3	1230-500330-500	Connecting plate assembly	1	
4	1230-500301-500	Tappet	1	
5	1230-500302-500	Tappet seat	1	
6	1230-500304-500	Rubber sleeve	1	
7	K30000 611005	Bushing 16160	2	
8	000896 000091	Split ring 9	2	
9	000703 100651	Hexagon socket countersunk head screw M10x65	1	
10	000882 080202	Pin B8x20	1	
11	000091 030201	Cotter pin 3x20	1	
12	1230-500305-G00	Brake pedal return torsion spring	1	
13	1230-500306-G00	Connection plate return torsion spring	1	
14	1230-500303-500	Bushing	1	
15	K30CD611500	TCM brake master cylinder	1	
16	K30090 615000	Brake pump tappet assembly	1	
17	005783 100301	Hexagon head bolt M10x30-8.8	2	
18	005783 080251	Hexagon head bolt M8x25-8.8	1	
19	006170 000008	Hex nut M8-8	1	
20	000093 000101	Spring washer 10	2	
21	GT889P1-000010-00	Type 1 non-metallic insert	1	
22	1230-500307-000	Brake pump plug M10x1	1	
23	000882 080252	Pin B8x25	1	
24	1230-500340-501	Pattern pedal assembly	1	
25	006170 010001	Hex nut M10-8	2	
26	005783 080201	Hexagon head bolt M8x20-8.8	2	
27	061772 008001	Locking thin nut M8-04	2	

## 5.3 Hydraulic system





**Hydraulic system**

Item	Part number	Part name	Qty	Remark
1	1230-410000-001	Front frame assembly	1	
2	1130-430000-502	Working device	1	
3	1230-436000-G01	Lifting cylinder components	1	3.1 m
	1230-436000-G25	Lifting cylinder components	1	2.56 m
	1230-436000-G21	Lifting cylinder components	1	2.1 m
4	1230-437000-G01	Tilting cylinder components	1	3.1 m
	1230-437000-G25	Tilting cylinder components	1	2.56 m
	1230-437000-G21	Tilting cylinder components	1	2.1 m
5	1230-201000-G00	Steering cylinder components	1	
6	1130-438000-G00	Locking cylinder components	1	
7	1230-610300-G00	Tube assy	1	
8	1230-610600-G00	Tube assy	1	
9	1230-610800-G00	Tube assy	1	
10	1230-611300-G00	Tube assy	1	
11	1230-612700-G00	Tube assy	1	
12	1230-610200-G00	Tube assy	1	
13	1230-612800-G00	Tube assy	1	
14	1230-610400-G01	Tube assy	1	
15	1230-610100-G00	Tube assy	1	
16	1230-611200-G00	Tube assy	1	
17	1230-612300-G01	Tube assy	1	
18	1230-612200-G01	Tube assy	1	
19	1230-612500-G01	Tube assy	1	
20	1230-612400-G01	Tube assy	1	
21	1230-611800-G01	Tube assy	1	
22	1230-613200-G00	Tube assy	2	
23	1230-613300-G00	Tube assy	2	
24	1230-611900-G01	Tube assy	1	
25	1230-611600-G00	Tube assy	1	

**Hydraulic system**

Item	Part number	Part name	Qty	Remark
26	1230-611700-G00	Tube assy	1	
27	1230-611400-G00	Tube assy	1	
28	1230-611500-G00	Tube assy	1	
29	1130-622400-G00	Straight connector	14	
30	1130-623000-G00	Straight connector	2	
31	1130-622500-G00	Straight connector	2	
32	1130-613100-G00	Three-way connector	1	
33	1130-620011-G00	Two three-way valve	1	
34	1130-623300-G00	G1-4 hinged bolt	2	
35	810-624600-G00	Sleeve type long straight connector M18x1.5-G1/2	2	
36	1130-611200-G00	Quick connector	2	
37	1130-623200-G00	Straight connector	2	
38	1130-622700-G00	Right angle connector	1	
39	1130-620700-G00	Straight connector	1	
40	1130-620001-G00	Throttling valve	1	
41	1130-623400-G00	G3-8 hinged bolt	2	
42	1230-201100-G00	Repair kit for steering cylinder	1	
43	1230-437100-G00	Repair kit for tilting cylinder	1	
44	1230-436100-G00	Repair kit for lifting cylinder	1	
45	1130-438100-G00	Repair kit for locking cylinder	1	
46	1130-623500-G00	G1-2 hinged bolt	1	
47	1130-622000-G00	Right angle connector	6	
48	1130-600201-000	Gear pump outlet connector	1	
49	1130-600101-000	Gear pump inlet connector	1	
50	1130-621500-G00	Right angle connector	4	
51	1230-620100-G00	Straight connector	2	
52	1130-623600-G00	Straight connector	2	
53	1130-620500-G00	Straight connector	3	
54	1130-623700-G00	G3-4 hinged bolt	1	

**Hydraulic system**

Item	Part number	Part name	Qty	Remark
55	1130-620100-G00	Straight connector	7	
56	1130-623800-G00	Straight connector	4	
57	1130-621900-G00	Three-way connector	1	
58	1230-620200-G00	Three-way connector	1	
59	1130-623900-G00	Straight connector	2	
60	1130-621000-G00	Right angle connector	1	
61	1130-624000-G00	Straight connector	2	
62	1230-620300-G00	Three-way connector	1	
63	1130-620002-G00	One way valve	1	
64	1130-620400-G00	Straight connector	1	
65	1230-600600-G00	Gear pump oil filter element	1	
66	1130-600500-G40	Multitandem valve	1	
67	1230-104000-G10	Driving motor assembly HP3666532171301V4	1	E3
	1230-104000-G20	Driving motor assembly HPV4A680251GPES097	1	E5 low power
68	TRF-100	Oil absorbing and returning filter	1	
69	1230-202000-G00	Steering gear	1	101S-5-125-15-A
70	1230-201000-G00	Steering cylinder components	1	
71	1130-600800-G00	Prepressing air filter	1	
72	810-413002-010	Two six-way valve	1	
73	Q-EW12L	M18x1.5 straight connector	4	Two six-way
74	1130-622400-G00	Straight connector G3/8-M18x1.5	6	Two six-way valve
-	1230-612300-G01	Tube assy	1	3.1m six-way
-	1230-612200-G01	Tube assy	1	3.1m six-way valve
-	1230-612500-G01	Tube assy	1	3.1m six-way
-	1230-612400-G01	Tube assy	1	3.1m six-way valve
-	1230-613400-G01	Tube assy	2	3.1m six-way
-	1230-611900-G01	Tube assy	1	3.1m six-way valve
-	1230-613200-G01	Tube assy	1	3.1m six-way

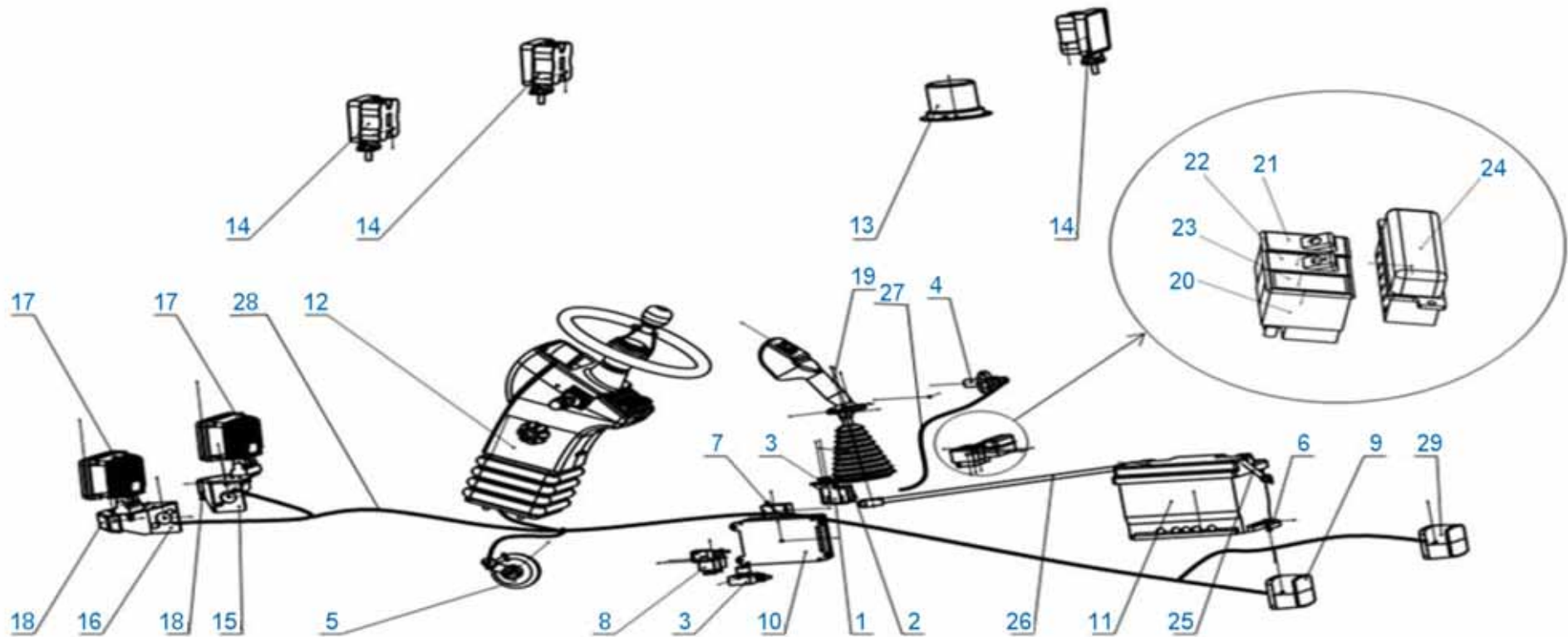
**Hydraulic system**

Item	Part number	Part name	Qty	Remark
-	1230-613500-G01	Tube assy	1	3.1m six-way valve
-	1230-613310-G01	Tube assy	1	3.1m six-way
-	1230-611800-G01	Tube assy	1	3.1m six-way valve
-	1230-613200-G01	Tube assy	1	3.1m six-way
-	1230-613500-G01	Tube assy	1	3.1m six-way valve
-	1230-613300-G01	Tube assy	1	3.1m six-way
-	1230-612200-G21	Tube assy	1	2.1m six-way valve
-	1230-612300-G21	Tube assy	1	2.1m six-way
-	1230-612400-G21	Tube assy	2	2.1m six-way valve
-	1230-613400-G21	Tube assy	2	2.1m six-way
-	1230-613500-G21	Tube assy	2	2.1m six-way valve
-	1230-613300-G21	Tube assy	1	2.1m six-way
-	1230-613310-G21	Tube assy	1	2.1m six-way valve
-	1230-611800-G21	Tube assy	1	2.1m six-way
-	1230-611900-G21	Tube assy	1	2.1m six-way valve
-	1230-613200-G21	Tube assy	2	2.1m six-way
-	1230-612300-G65	Tube assy	1	2.56 m six-way valve
-	1230-612200-G65	Tube assy	1	2.56m six-way
-	1230-612500-G65	Tube assy	1	2.56 m six-way valve
-	1230-612400-G65	Tube assy	1	2.56m six-way
-	1230-613400-G65	Tube assy	2	2.56 m six-way valve
-	1230-611900-G65	Tube assy	1	2.56m six-way
-	1230-613200-G65	Tube assy	2	2.56 m six-way valve
-	1230-613510-G65	Tube assy	1	2.56m six-way
-	1230-613300-G65	Tube assy	2	2.56 m six-way valve
-	1230-611800-G65	Tube assy	1	2.56m six-way
-	1230-613520-G65	Tube assy	1	2.56 m six-way valve



## 6. ELECTRIC SYSTEM

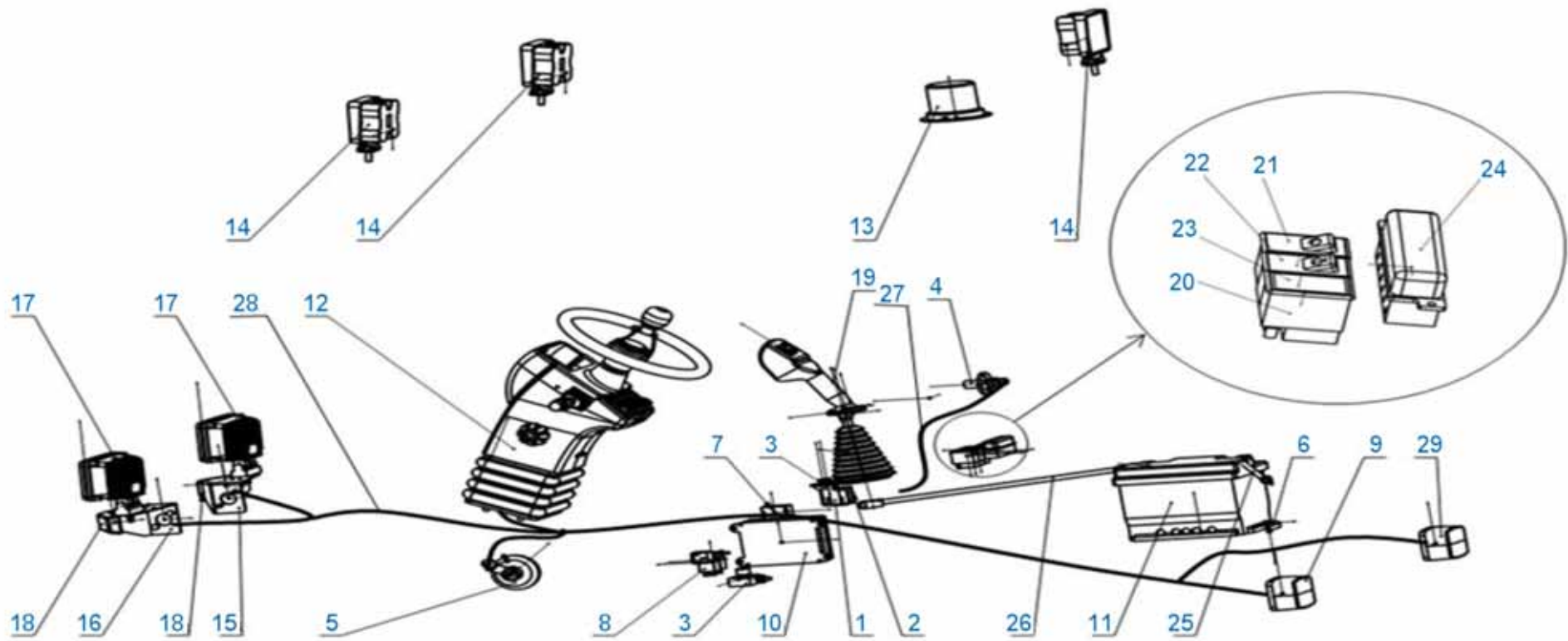
### 6.1 Electric system installation





**Electric system installation**

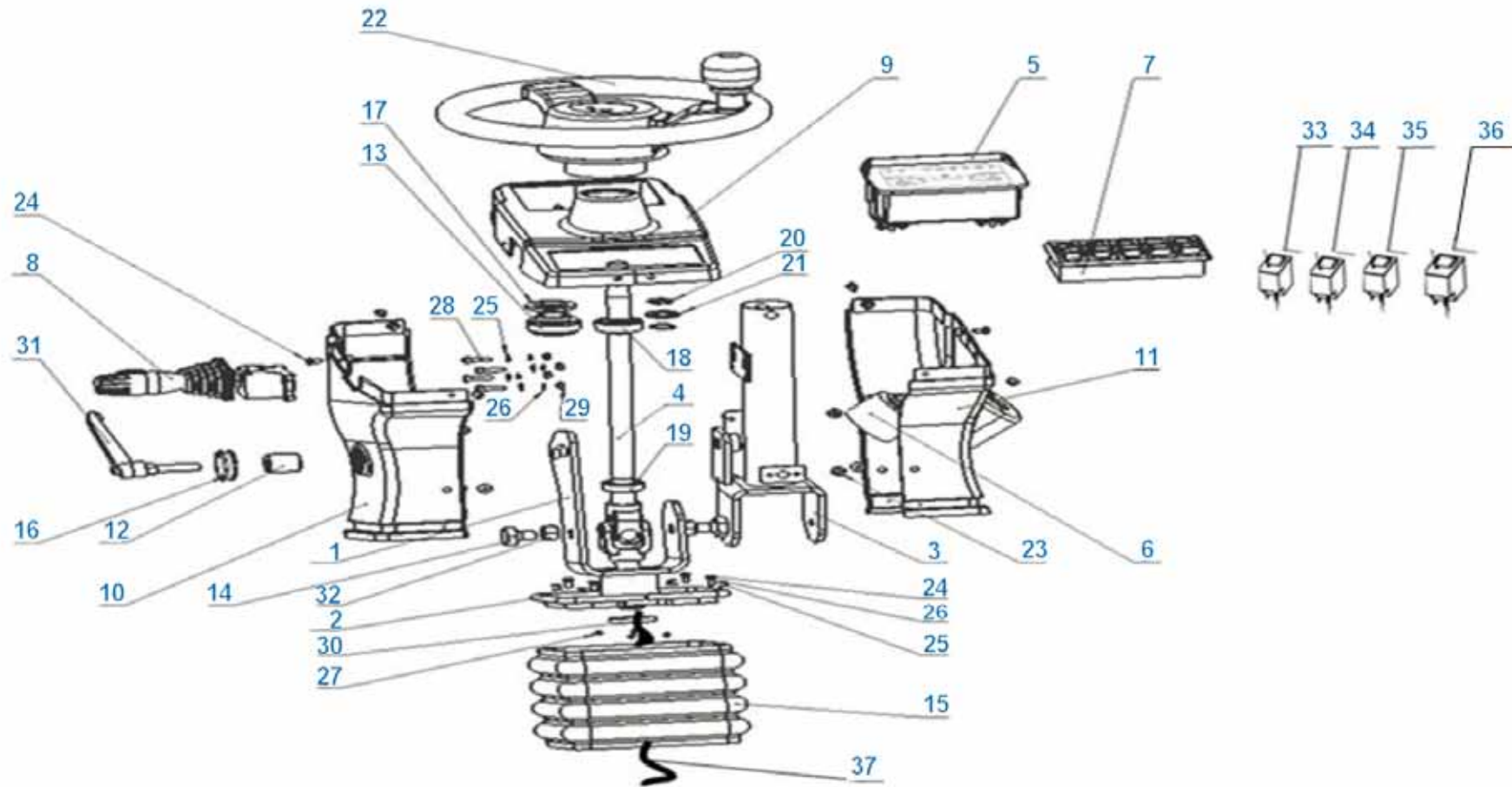
Item	Part number	Part name	Qty	Remark
1				
2				
3	1130-700002-G00	Travel switch	2	
4	1130-701900-G00	Power switch	1	
5	1130-701100-G00	Horn	1	
6	1130-700104-001	Battery fixed pressing plate	1	
7	1130-701200-G00	Insert plug fuse seat	1	
8	1130-701700-G00	Relay	3	
9	1130-700900-G00	Left taillight assembly	1	
10	1130-700900-G10	Control box (12V-4)	1	
11	1130-703000-G50	Battery (6-QW-60 L2400)	1	
12	810-710000-200	Display	1	
13	1130-922000-000	Warning light	1	
14	1130-921000-000	working light	3	
15	1130-700500-510	Front right light bracket assembly	1	
16	1130-700400-510	Front left light bracket assembly	1	
17	1130-504500-000	Headlight	2	
18	1130-700008-G00	Width light cornering lamp	2	
19	1130-720000-030	Handle	1	
	1130-720000-040	Handle	1	
20	1130-700022-G00	Switch box	1	
21	1230-701903-G00	Wiper switch	1	
22	1230-701902-G00	Water switch	1	
23	1130-700023-G00	Switch box blank panel	1	
24	1130-701800-G00	Six path fuse block	1	
25	1230-700800-G00	Battery negative cable	1	



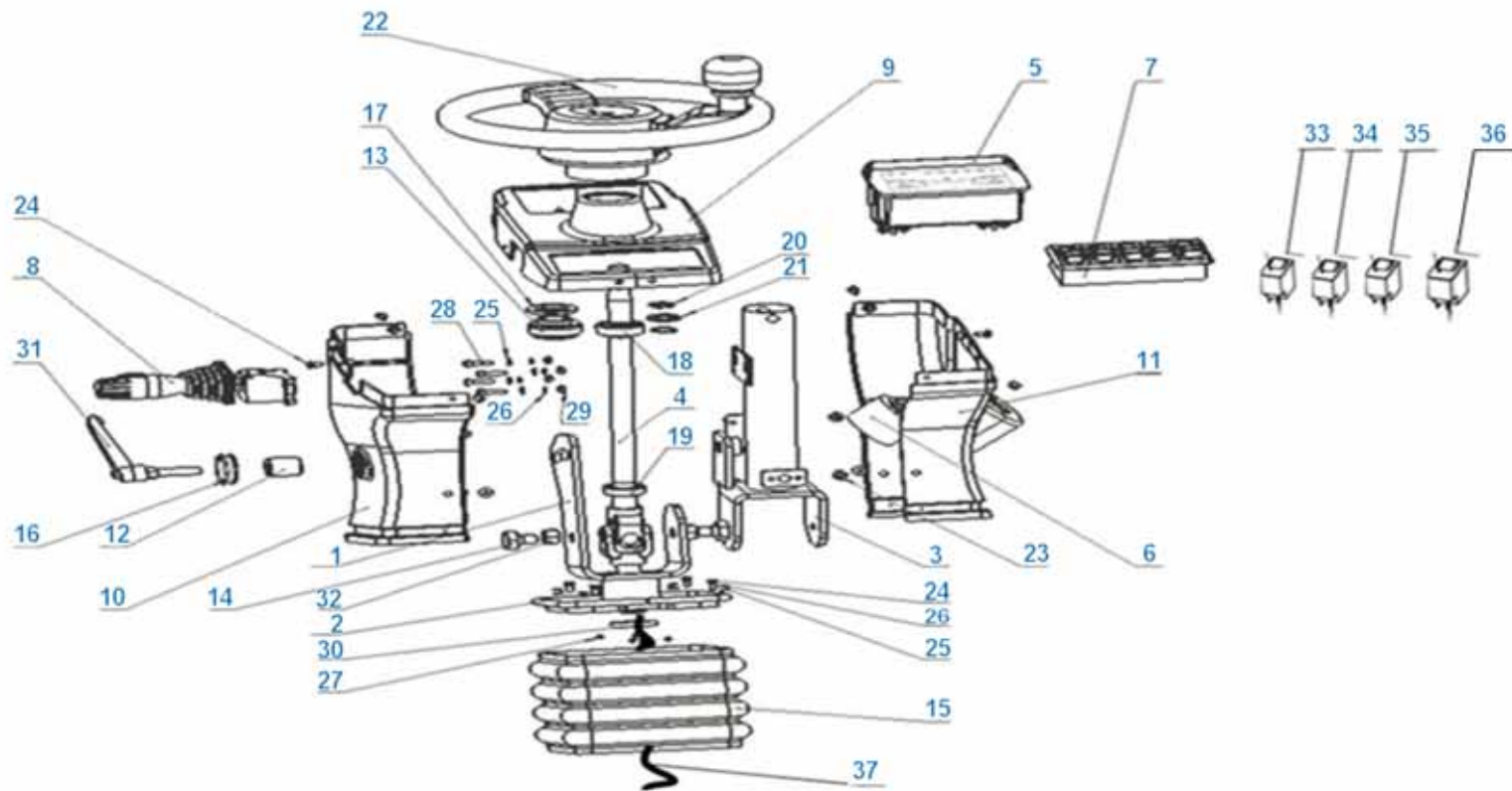
**Electric system installation**

Item	Part number	Part name	Qty	Remark
26	1230-700700-G00	Battery positive cable	1	
27	1230-700800-G01	Negative connection	1	
28	820-701800-010	Main wireness (German style)	1	
29	1130-700600-G00	Right rear lamp component	1	

## 6.2 Dashboard

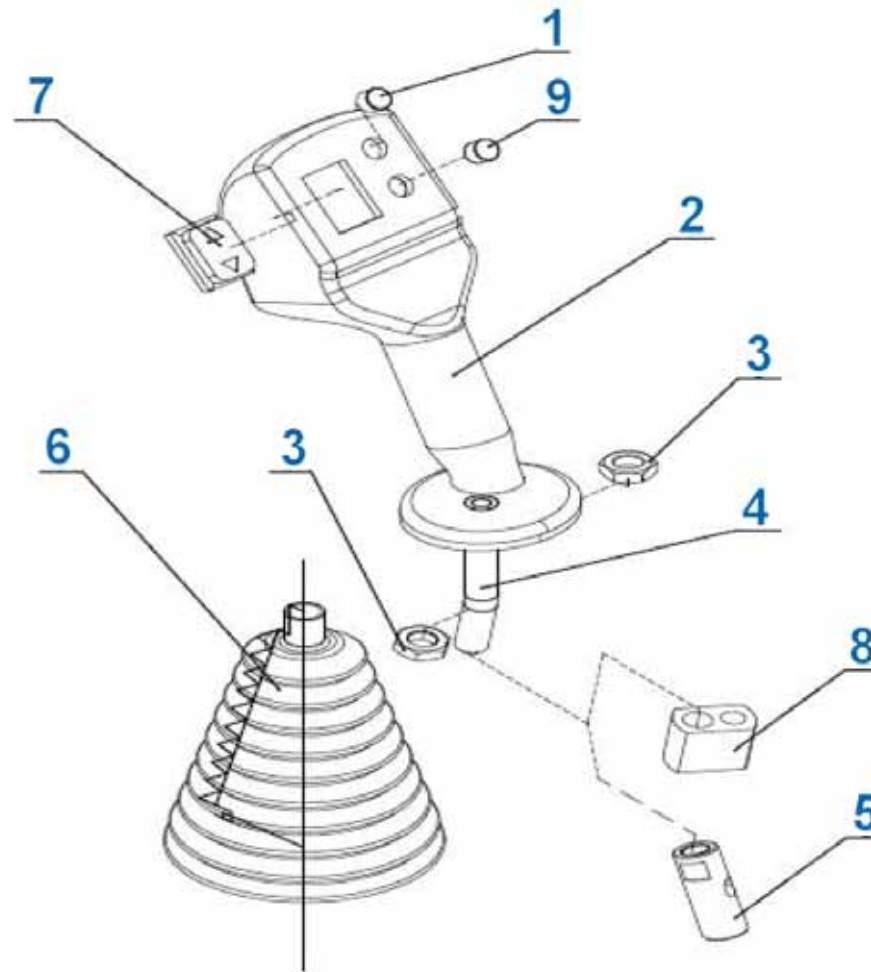


Dashboard				
Item	Part number	Part name	Qty	Remark
1	810-710100-000	Base	1	
2	810-710200-000	Frame	1	
3	810-710300-000	Steering column assembly	1	
4	810-710400-000	Steering axle assembly	1	
5	810-710500-G00	Instrument panel	1	
6	810-710700-G00	Starting switch assembly	1	
7	810-710600-G20	Five seat switch	1	
8	810-710800-G00	Steering lamp switch handle	1	
9	810-710001-200B	Upper cover	1	
10	810-710002-200	Left cover	1	
11	810-710003-200	Right cover	1	
12	810-710004-000	Steering tube lock handle (outer)	1	
13	810-710005-000	Nylon cover	1	
14	810-710006-000	M12 set bolt	2	
15	810-710007-G00	Lower rubber protection ring	1	
16	1130-700001-000	Out coil	1	
17	810-710009-000	Fixed collar	1	
18	6004-2RZ	GB/T274 deep groove ball bearing	1	
19	61904-2RZ	GB/T276 61904-2RZ deep groove ball bearing	1	
20	008942 00020B	Elastic retaining ring for shaft type B 20	1	
21	810-710010-000	Washer 2	1	
22	810-710009-G10	Steering wheel 300	1	
23	000818 006121	Pan head screw M6x16	6	
24	000823 005101	Pan head screw M5*10	10	
25	000095 000051	Flat washer 5	8	



Dashboard				
Item	Part number	Part name	Qty	Remark
26	000093 000051	Spring washer 5	8	
27	000854 029095	Cross recessed pan head tapping M2.9x9.5 GB/T854	8	
28	000701 050201	Hexagon socket head cap screw M5*20-8.8	4	
29	006170 005001	Hexagon nut M5-8.8	4	
30	810-710008-G00	Rubber ring	1	
31	810-710012-G00	Adjustable locking handle 80RB-M10x50-S	1	
32	006172 012001	Hexagon thin nut M12	2	
33	1130-710017-G00	Horn switch	1	
34	1130-700019-G00	Alarm switch	1	
35	1130-710012-G00	Working light switch	1	
36	1130-710018-G00	Double jump switch	1	
37	820-711000-000	Instrument cluster	1	

## 6.3 Operating handle

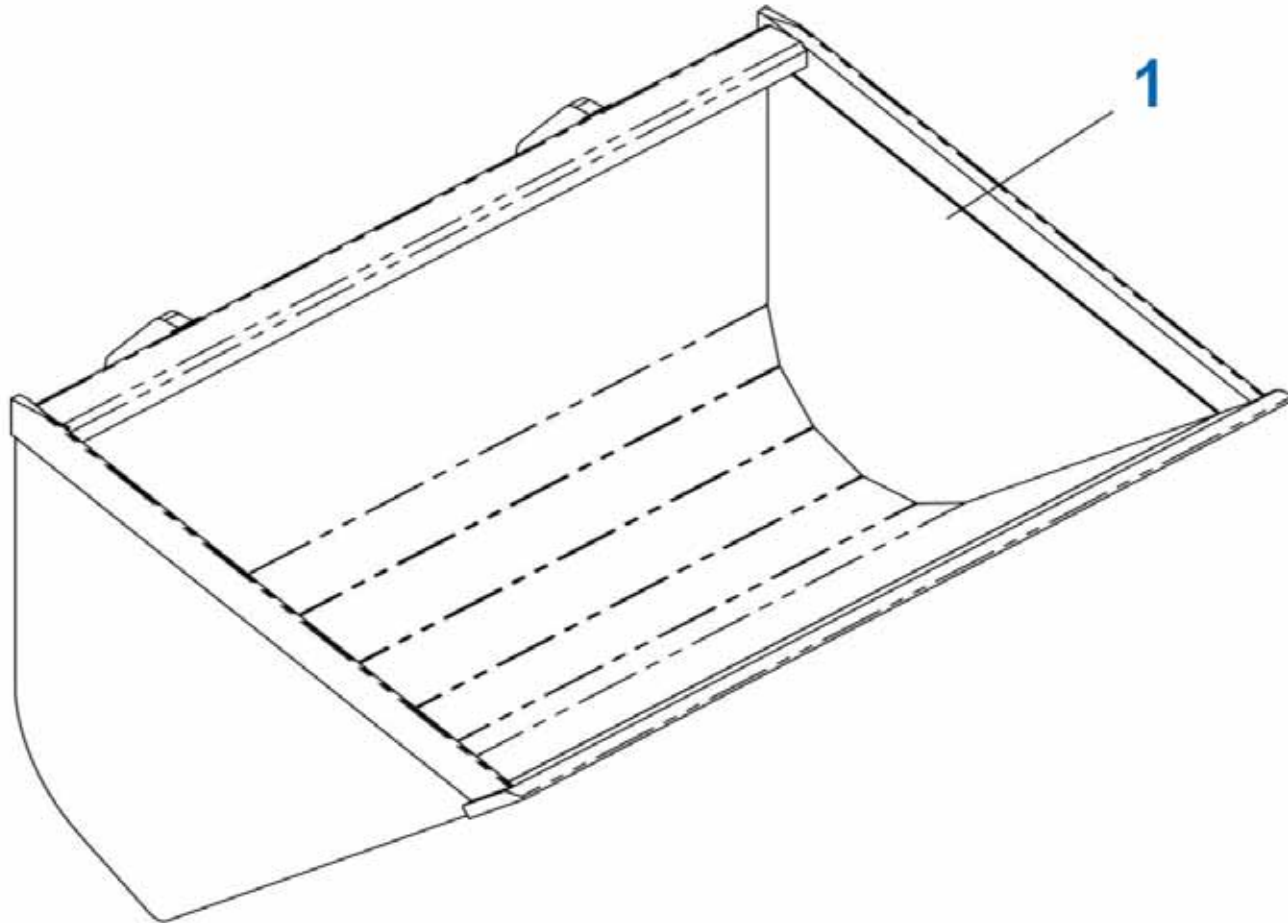




Operating handle				
Item	Part number	Part name	Qty	Remark
1	1130-600307-G00	Button switch (yellow)	1	Double speed
2	1130-600301-G00	Operating handle housing	1	
3	006173 014002	M14*1.5 nut	2	
4	1130-600303-001	Operating handle lever	1	
5	1130-600304-001	Handle lever	1	Without cabine
6	1230-600009-G00	Handle rubber sleeve	1	
7	1130-701500-001	Handle shift switch	1	
8	1140-440013-003	Connecting plate (cab)	1	With cabine
9	1130-600306-G00	Button switch (red)	1	Two six-way valve

## 7. ATTACHMENT

### 7.1 Bucket assembly



---

Bucket assembly				
Item	Part number	Part name	Qty	Remark
1	1130-800000-000	Bucket assembly	1	