



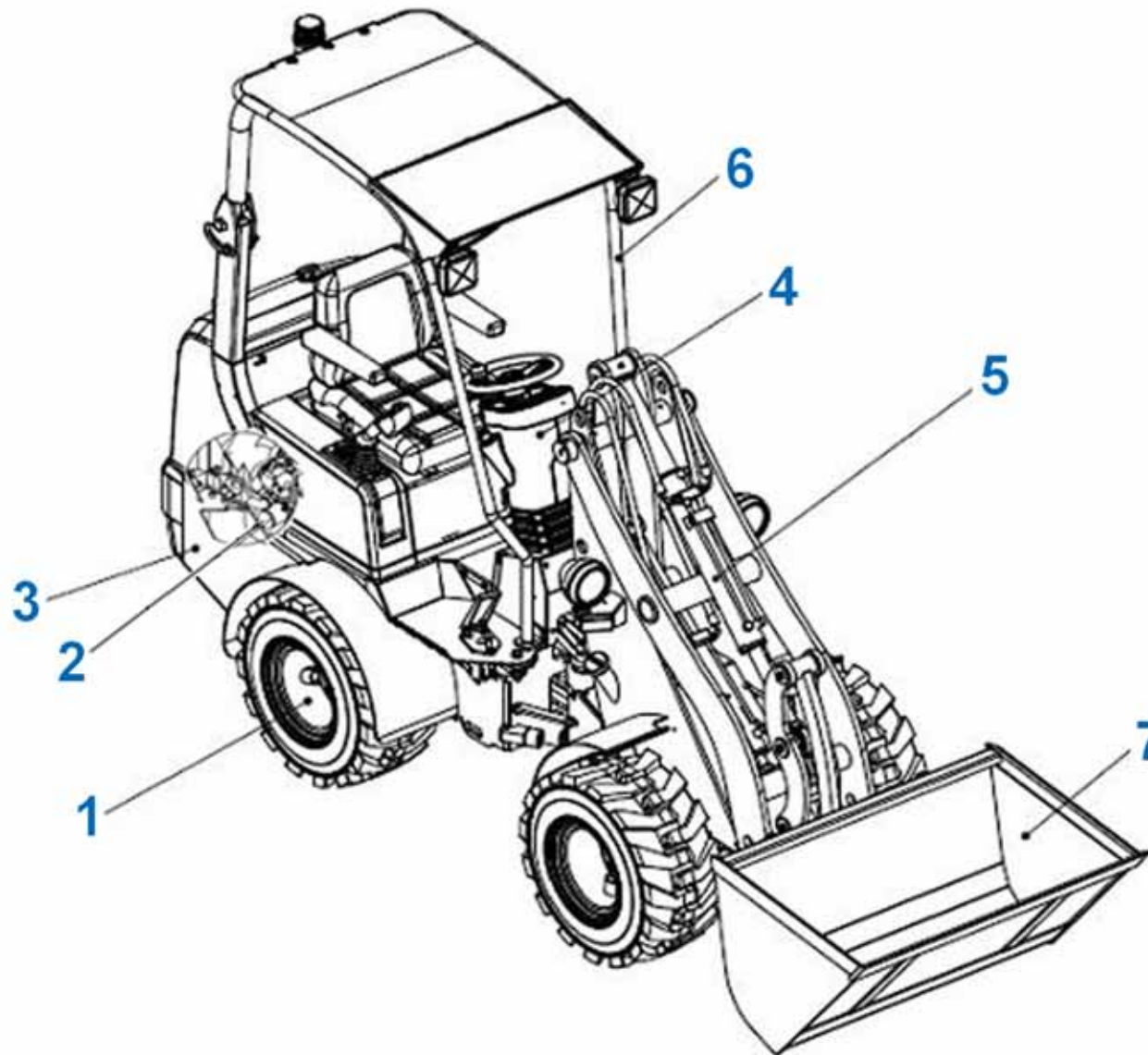
W11 Spare parts

P. de Heus en Zonen Greup B.V.
Stougjesdijk 153
3271 KB Mijnsheerenland
The Netherlands
Tel. + 31 (0) 186 612 333
info@eurotrac.nl

1.	MULTIFUNCTION WHEEL LOADER ASSEMBLY	4
1.1	Labels	6
2.	TRANSMISSION SYSTEM	8
2.1	Transmission system general assembly	8
2.2	Rear axle assembly	10
2.3	Front axle assembly	14
2.4	Differential mechanism assembly	18
2.5	Tyre assembly (26x12-12AS)	20
2.6	Tyre assembly (27x8.5-15NHS)	22
2.7	Brake assembly	24
3.	POWER SYSTEM	26
3.1	Power system mounting assembly	26
3.2	Engine	28
3.3	Exhaust system	30
3.4	Air inlet system	32
3.5	Cooling system	34
3.6	Fuel system	36
3.7	Power system	38
4.	VEHICLE SYSTEM	40
4.1	Vehicle system general assembly	40
4.2	Front chassis	42
4.3	Rear chassis	46
4.4	Working device	50
4.5	Canopy mounting assembly	54
4.6	Canopy base mounting assembly	56
4.7	Rear bonnet	60
4.8	Bonnet hinge	62
4.9	Counterweight	64
4.10	Cab mounting assembly I	66
4.11	Cab mounting assembly II	68
4.12	Cab mounting assembly III	70

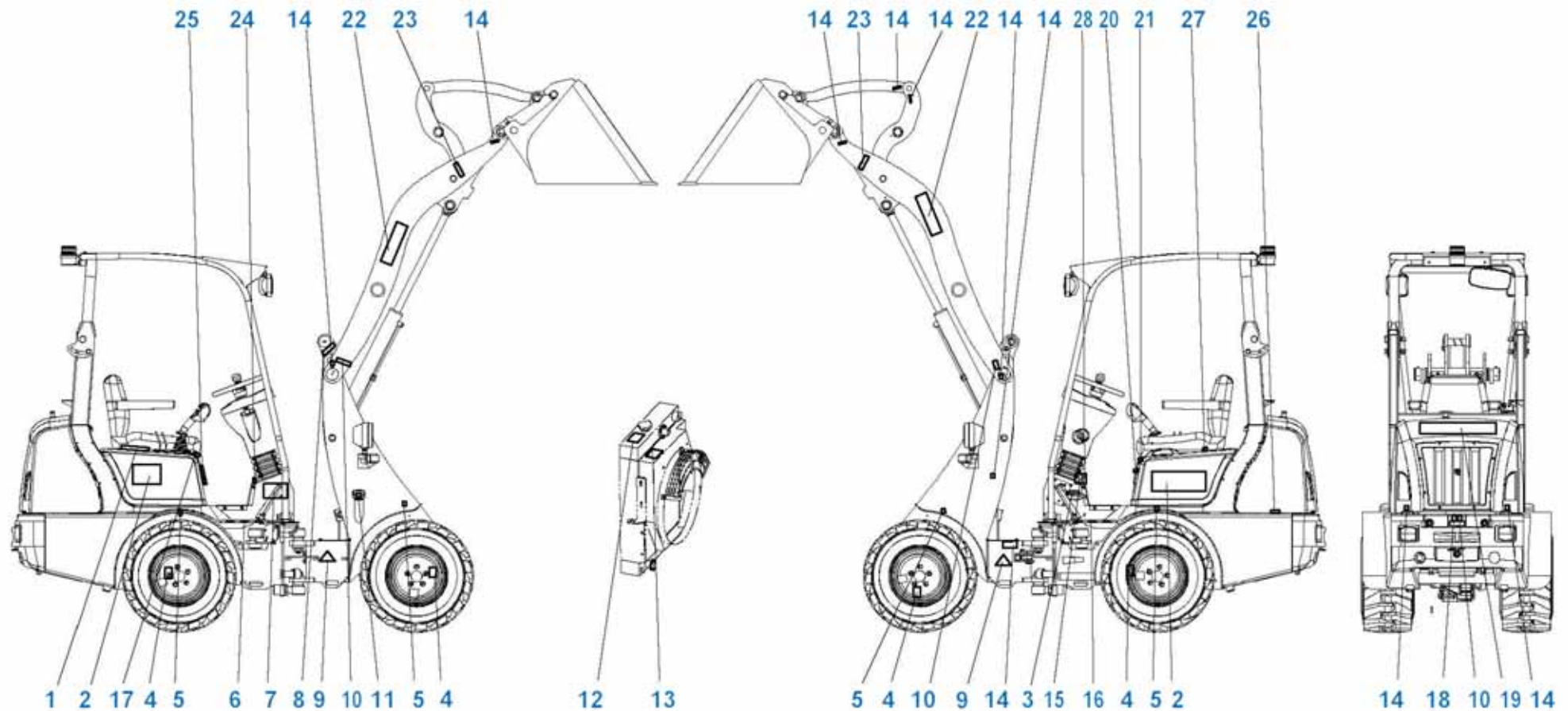
4.13	Cab mounting assembly IV	72
4.14	Cab mounting assembly V	74
4.15	Rear window assembly	76
4.16	Left door assembly	78
4.17	Right door assembly	80
4.18	Bonnet mounting assembly	82
5.	OPERATE SYSTEM	84
5.1	Operate System assembly	84
5.2	Parking brake	86
5.3	Accelerator operate	88
5.4	Inching operate	90
5.5	Inching operate (foot brake)	92
6.	HYDRAULIC SYSTEM	94
6.1	Hydraulic system assembly	94
6.2	Plunger pump-motor	96
6.3	Steering gear	100
6.4	Multitandem valve	102
6.5	Multitandem valve component	106
7.	ELECTRIC SYSTEM	108
7.1	Electric system installation	108
7.2	Dashboard	110
7.3	Battery and control box	114
7.4	Operating handle	116
8.	ATTACHMENT	118
8.1	Bucket assembly	118

1. MULTIFUNCTION WHEEL LOADER ASSEMBLY



Multifunction wheel loader assembly				
Item	Part number	Part name	Qty	Remark
1	1130-100000-000	Transmission system	1	
2	810-300000-000	Power system	1	
3	810-400000-000	Vehicle system	1	
4	810-500000-000	Operate system	1	
5	810-600000-000	Hydraulic system	1	
6	810-700000-000	Electric system	1	
7	1130-800000-000	Attachment	1	

1.1 Labels



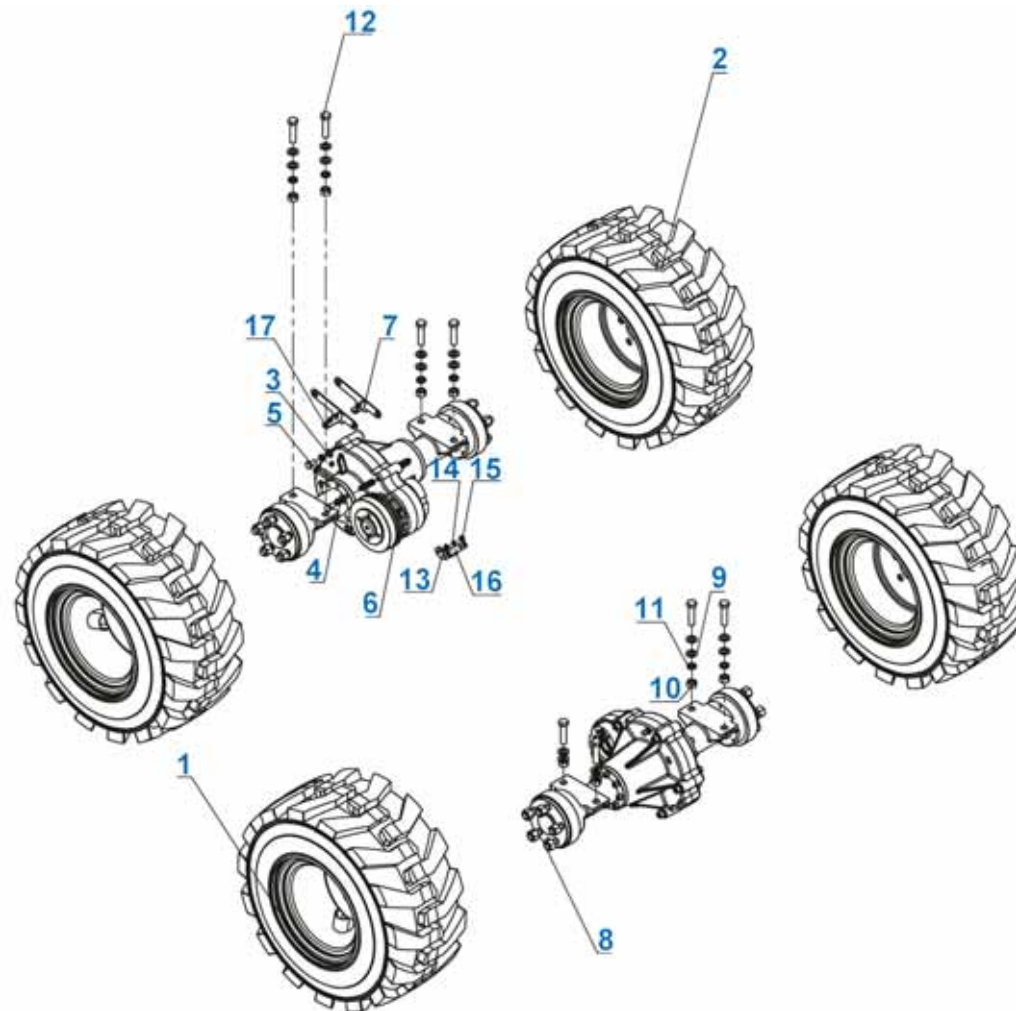
Labels

Item	Part number	Part name	Qty	Remark
1	750610000038	Hydraulic control prompt	1	
2	1130-010010-G00	Model of trademark	2	
-	750610000092	Model of trademark	2	

Labels				
Item	Part number	Part name	Qty	Remark
3	K30000 020033	Stopping brake label	1	
4	750610000046	Tyre label	4	
5	750610000048	Tyre pressure label	4	
6	750610000094	Non-slip mat	1	
7	1130-010011-G62	Vehicle plate	1	Without cab
8	750610000047	Lifting label	2	
9	750610000044	Anti-clip label	2	
10	750610000085	Clamp hand label	2	
11	750610000041	Fuel label	1	
12	750610000032	Anti scalding label for water tank	1	
13	750610000096	Anti cut hand	1	
14	750610000045	Inject butter label	10	
15	750610000034	Noise declaration sticker	1	
16	750610000095	Non-slip mat	2	
17	750610000035	Reset button label	1	
18	750610000036	Transportation fixed point label	4	
19	1130-010012-G54	Manufacturing label	1	Optional
20	750610000040	Instruction warning	1	
21	750610000039	Maintenance manual warning	1	
22	750610000100	Manufacturing label	1	
23	750610000098	Anti-overturning label	2	
24	750610000042	Anti-tipping label	1	
25	1130-010011-G62	Vehicle plate	1	Cab
26	750610000037	Hydraulic oil label	1	
27	750610000033	Fasten seat belt label	1	
28	750610000043	Anti near label	2	

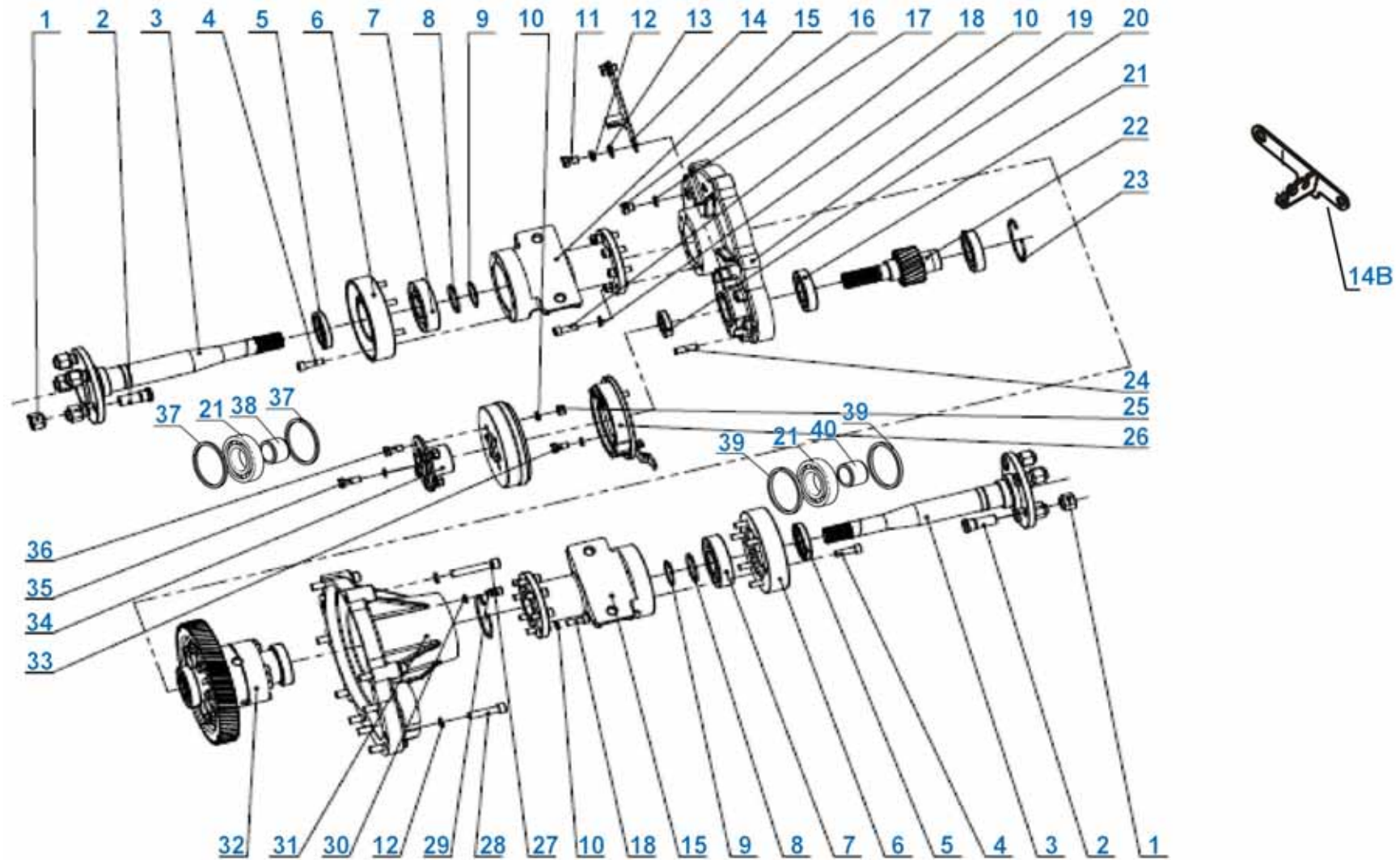
2. TRANSMISSION SYSTEM

2.1 Transmission system general assembly



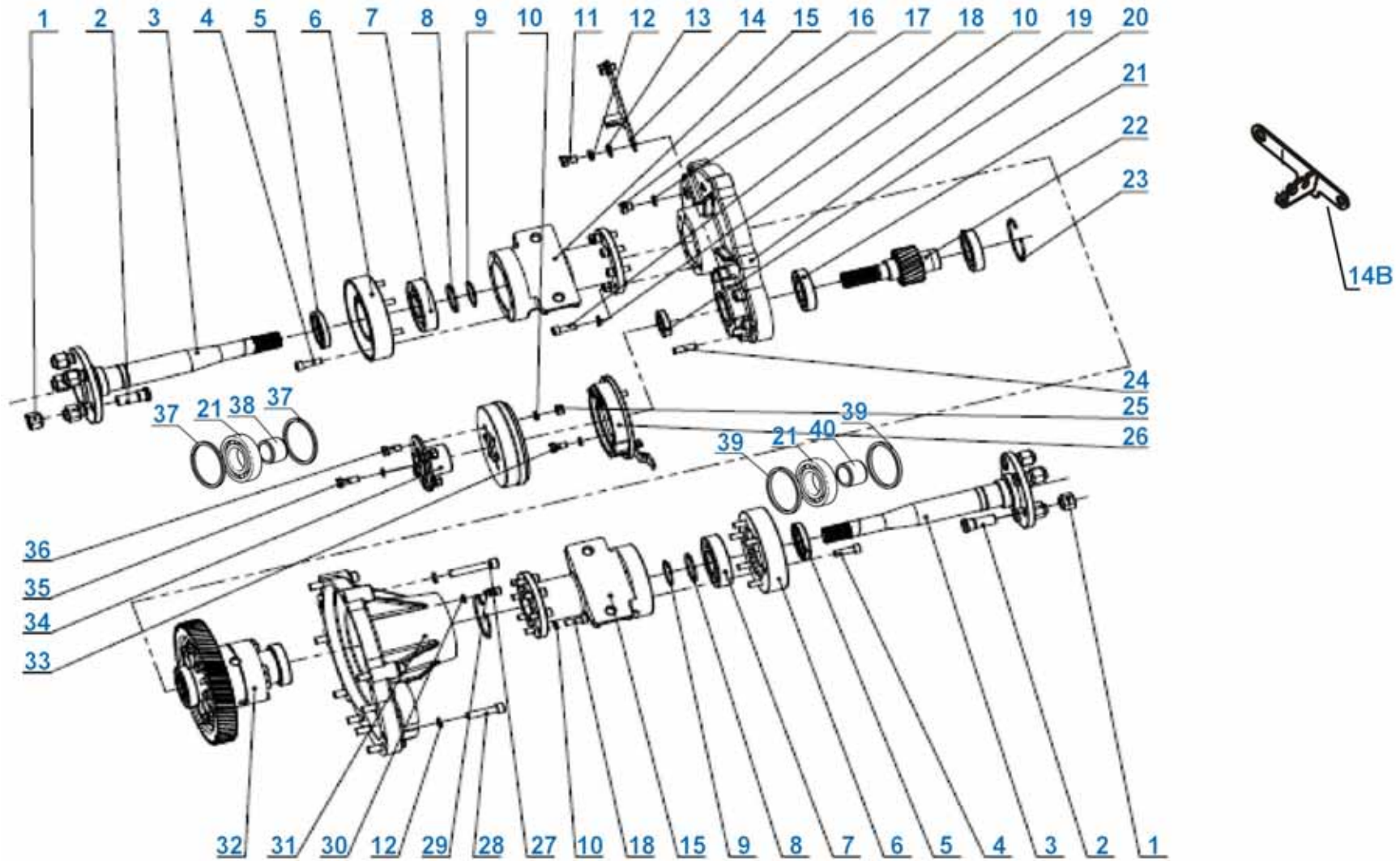
Transmission system general assembly				
Item	Part number	Part name	Qty	Remark
1	1130-102000-G00	Tyre assembly (right)	2	
2	1130-101000-G00	Tyre assembly (left)	2	
3	000971-000012-00	Flat washer 12	2	
4	GT00093-000012-00	Spring washer12	2	
5	005783-012020-00	Hexagon bolt M12x20-8.8	2	
6	1130-110000-000	Rear axle assembly	1	
7	1130-100300-000	Hand brake cable bracket (no foot	1	
8	1020-120000-000	Front axle assembly	1	
9	000971-000016-00	Flat washer 16	16	
10	006170 016001	Nut M16-8	8	
11	GT00093-000016-00	Spring washer 16	8	
12	005783-016065-00	Bolt M16x65-8.8	8	
13	000971 000081	Flat washer 8	1	
14	GT00093-000008-00	Spring washer 8	1	
15	GT06170-000008-00	Nut M8-8	1	
16	1130-500100-000	Brake swing arm	1	
17	1130-500200-000	Cable hanger assembly (with foot brake)	1	

2.2 Rear axle assembly



Rear axle assembly

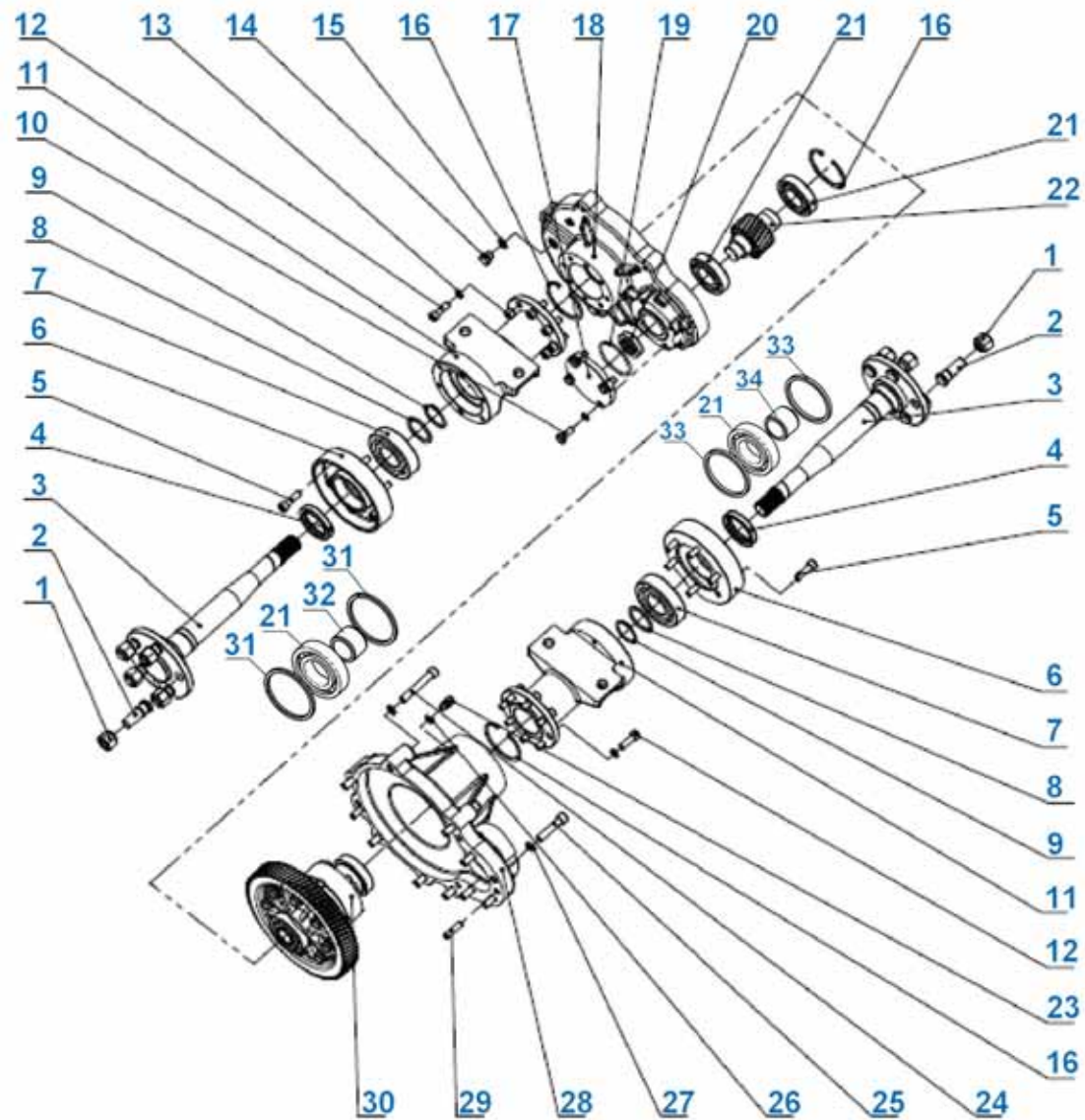
Item	Part number	Part name	Qty	Remark
1	1020-111006-G00	Rim nut	10	
2	1020-111007-G00	Rim bolt	10	
3	1020-111005-G00	Axle shaft	2	
4	GT070P1-010035-02	Bolt M10x35-10.9	12	
5	GT13871-055007212-00	Oil seal 55x72x12	2	
6	1020-111004-G00	Thimble seat	2	
7	GT00276-0006309-00	Bearing 6309	2	
8	1020-111011-G00	Axle shaft washer	2	
9	GT894P1-000045-00	Check ring 45	2	
10	GT00093-000010-00	Washer 10	25	
11	005783-012016-01	Bolt M12x16	2	
12	GT00093-000012-00	Washer 12	12	
13	000971-000012-00	Washer 12	2	
14	1020-100300-000	Hand brake cable bracket	1	
14B	1130-100300-000	Hand brake cable bracket	1	Optional
15	1020-111003-G00	Sleeve	2	
16	J001000-0141P5-00	Plug screw M14x1.5	2	
17	J000982-000014-00	Washer 14	2	
18	GT070P1-010030-02	Bolt M10x30	16	
19	1020-111001-G00	Axle housing	1	
20	GT13871-030005012-00	Oil seal 30x50x12	1	
21	GT00276-0006208-00	Bearing 6208	2	
22	1020-111009-G00	Driving gear	1	
23	GT893P1-00080-00	Check ring 80	3	
24	G000119-010040-00	Pin 10x40	2	
25	GT06170-000010-01	Nut M10	4	



Rear axle assembly

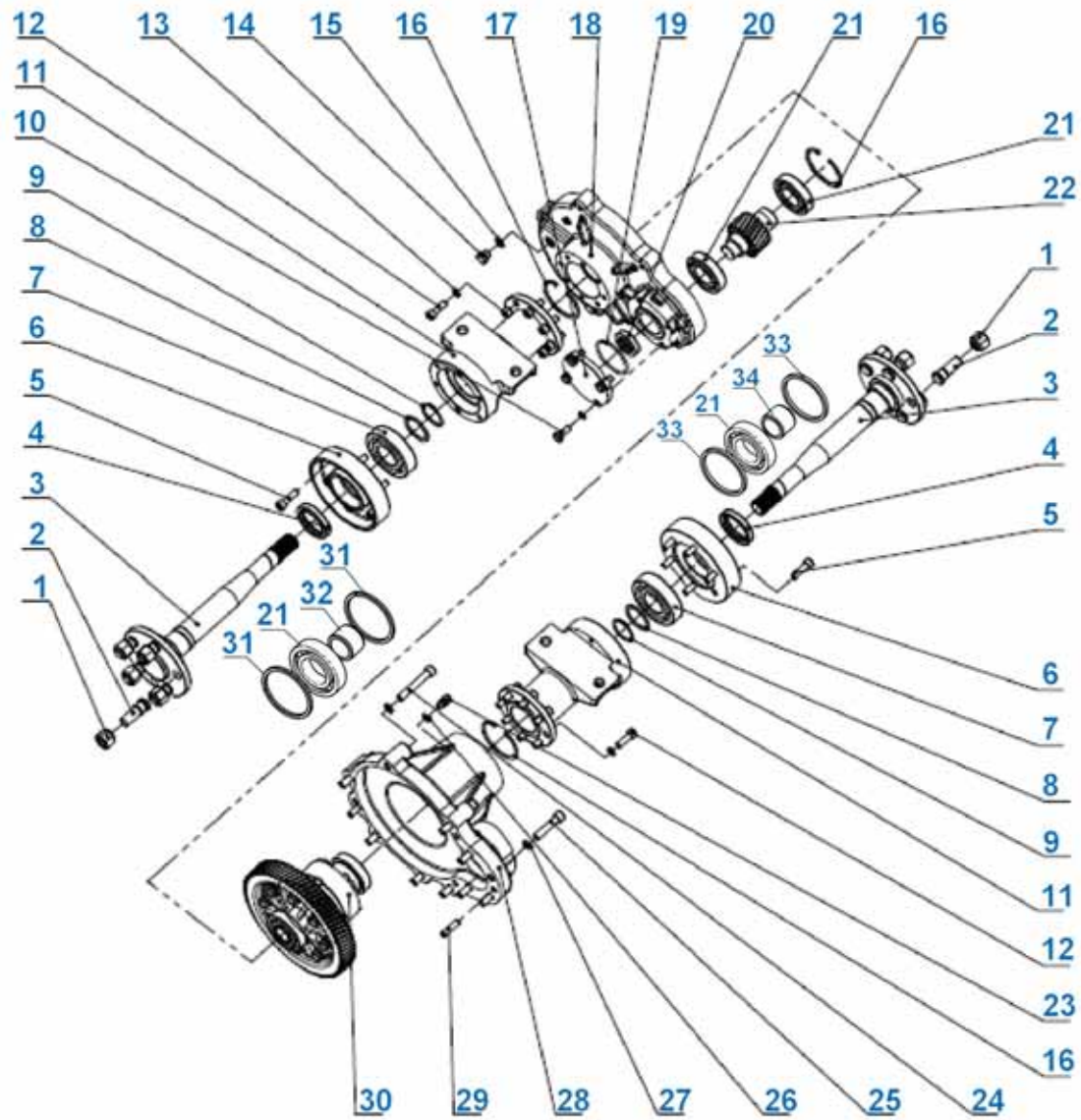
Item	Part number	Part name	Qty	Remark
26	1020-113000-G10	Brake assembly	1	
27	GT070P1-012075-02	Bolt M12x75-10.9	8	
28	GT070P1-012055-02	Bolt M12x55	2	
29	Q9001	Deflation valve M8x1	1	
30	J000982-000010-00	Washer 10	1	
31	1020-111002-G00	Axle housing II	1	
32	1020-112000-G00	Differential mechanism	1	
33	005783-010030-01	Bolt M10x20	4	
34	1020-114000-000	Brake drum spline flange component	1	
35	005783-010030-01	Bolt M10x30	1	
36	005783-010025-01	Bolt M10x25-10.9	4	
37	1020-111015-000	Bearing spacer 2	2	
38	1020-111014-000	Bearing bush 2	1	
39	1020-111013-000	Bearing spacer 1	2	
40	1020-111012-000	Bearing bush 1	1	

2.3 Front axle assembly



Front axle assembly

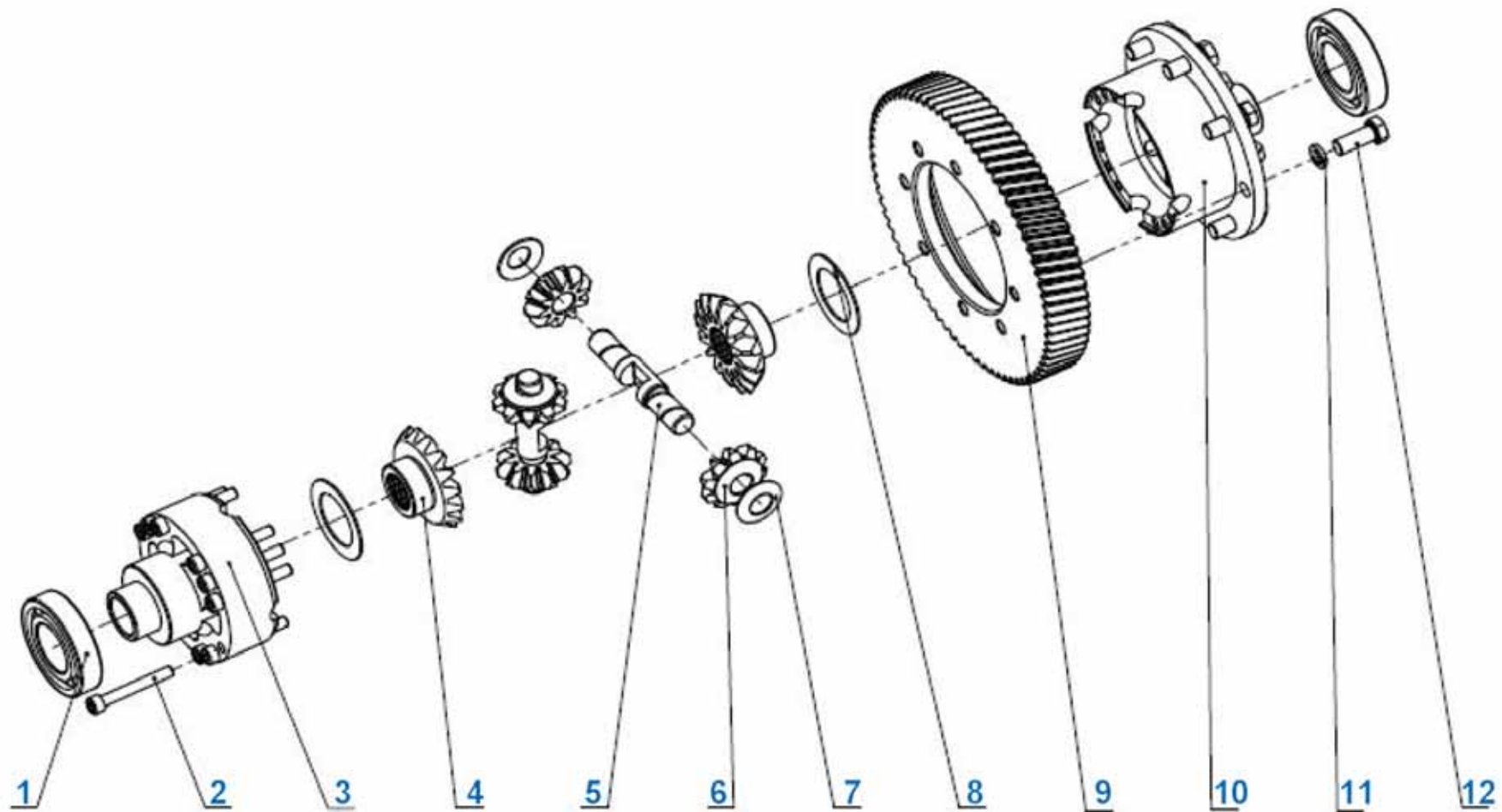
Item	Part number	Part name	Qty	Remark
1	1020-111006-G0	Rim nut	10	
2	1020-111007-G00	Rim bolt	10	
3	1020-111005-G00	Axle shaft	2	
4	GT13871-055007212-00	Oil seal 55x72x12	2	
5	GT070P1-010035-02	Bolt M10x35-10.9	12	
6	1020-111004-G00	Thimble seat	2	
7	GT00276-0006309-00	Bearing 6309	2	
8	1020-111011-G00	Axle shaft washer	2	
9	GT894P1-000045-00	Check ring 45	2	
10	005783-010025-01	Bolt M10x25-10.9	4	
11	1020-111003-G00	Sleeve	2	
12	GT070P1-010030-02	Bolt M10x30-10.9	16	
13	GT00093-000010-00	Washer 10	20	
14	J001000-0141P5-00	Screw M14x1.5	2	
15	J000982-000014-00	Washer 14	2	
16	GT893P1-00080-00	Check ring 80	3	
17	1020-111008-G00	End cap	1	
18	1020-111001-G00	Axle housing I	1	
19	GT34521-00693P55-00	O ring 69x3.55	1	
20	GT13871-030005012-00	Oil seal 30x50x12	1	
21	GT00276-0006208-00	Bearing 6208	2	
22	1020-111010-G00	Driving gear II	1	
23	Q9001	Deflation valve M8x1	1	
24	GT070P1-012075-02	Bolt M12x75-10.9	8	
25	GT070P1-012055-02	Bolt M12x55-10.9	2	



Front axle assembly

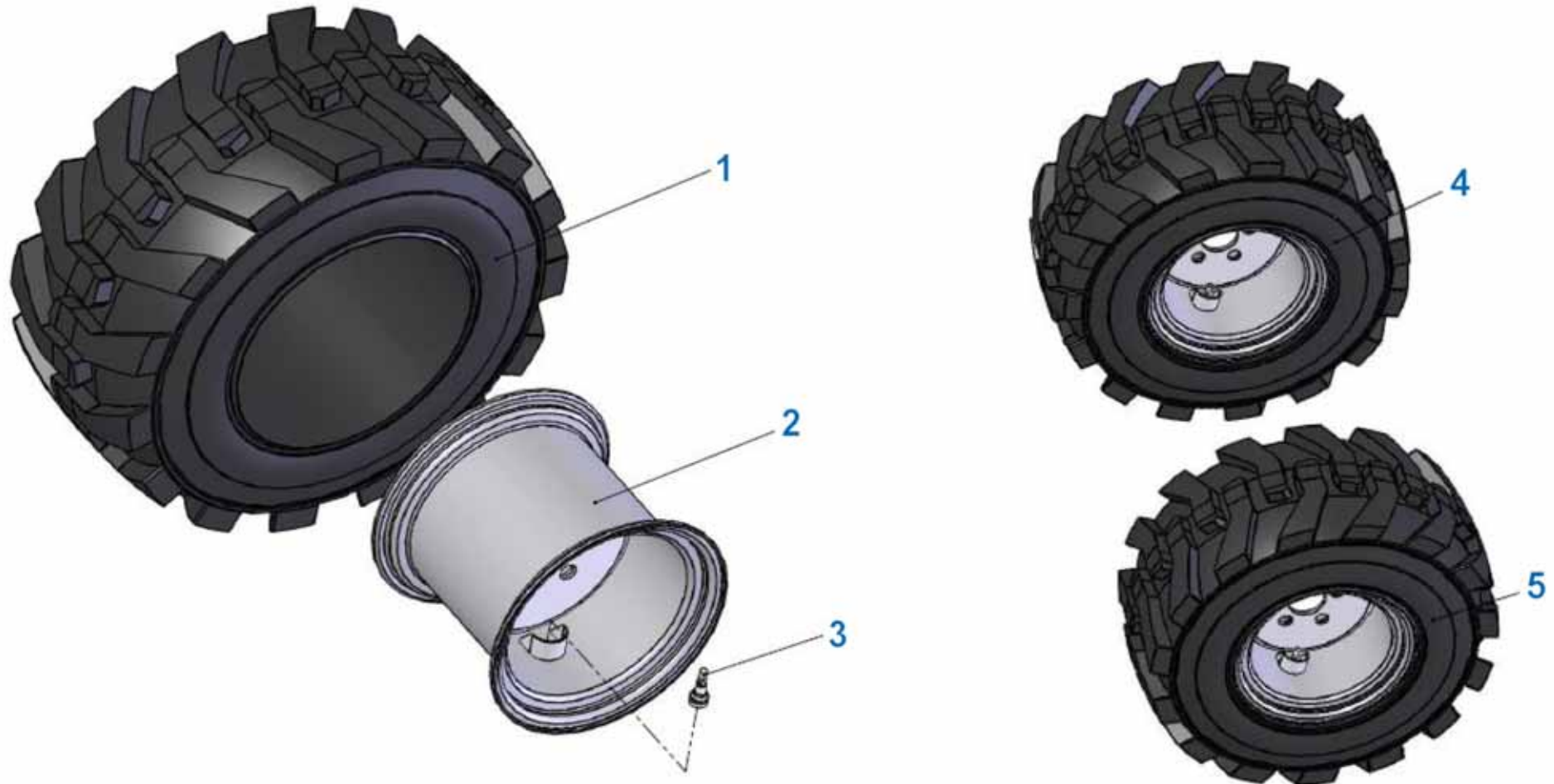
Item	Part number	Part name	Qty	Remark
26	J000982-000010-00	Washer 10	1	
27	GT00093-000012-00	Washer 12	12	
28	1020-111002-G00	Axle housing II	1	
29	G000119-010040-00	Pin 10x40	2	
30	1020-112000-G00	Differential mechanism	1	
31	1020-111015-000	Bearing spacer 2	2	
32	1020-111014-000	Bearing bush 2	1	
33	1020-111013-000	Bearing spacer 1	2	
34	1020-111012-000	Bearing bush 1	1	

2.4 Differential mechanism assembly



Differential mechanism assembly list				
Item	Part number	Part name	Qty	Remark
1	GB/T276-1994	Bearing 6208	2	
2	GT070P1-008060-00	Bolt M8x60-10.9	12	
3	1020-112002-G00	Right shell	1	
4	1020-112003-G00	Axle shaft gear	2	
5	1020-112004-G00	Differential mechanism hinge pin	2	
6	1020-112005-G00	Planetary gear	4	
7	1020-112007-G00	Planetary gear washer	4	
8	1020-112008-G00	Axle shaft gear washer	2	
9	1020-112006-G00	Driven gear	1	
10	1020-112001-G00	Left shell	1	
11	GT00093-000012-00	Washer 12	8	
12	GT5783-012030-01	Bolt M12x30-10.9	8	

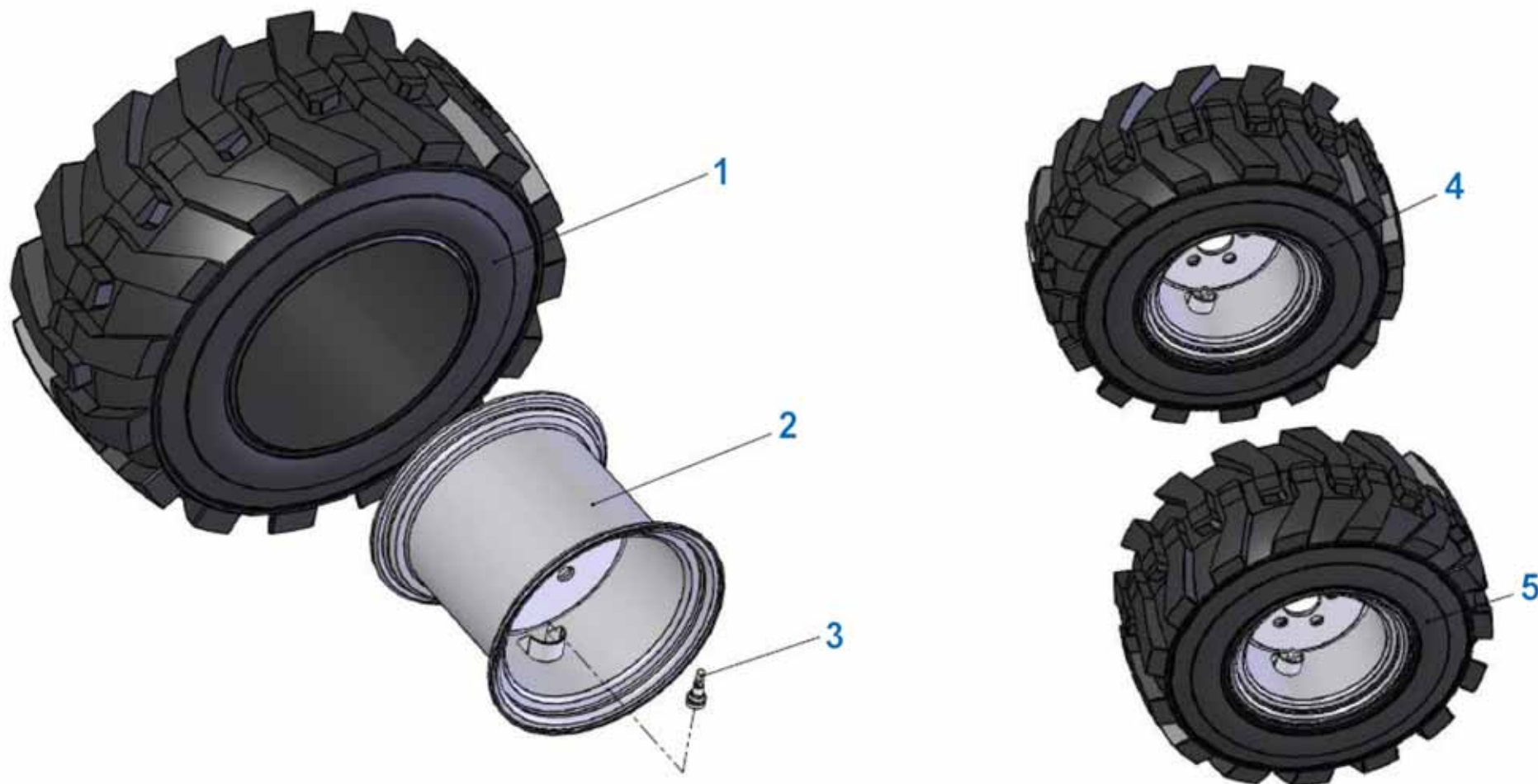
2.5 Tyre assembly (26x12-12AS)



Tyre assembly (26x12-12AS)

Item	Part number	Part name	Qty	Remark
1	26X12-12NHS	Tyre	4	
2	1130-180100-500	Rim component	4	
3	1130-101100-G00	Valve core	4	
4	1130-101000-G00	Left tyre assembly	2	
5	1130-102000-G00	Right tyre assembly	2	

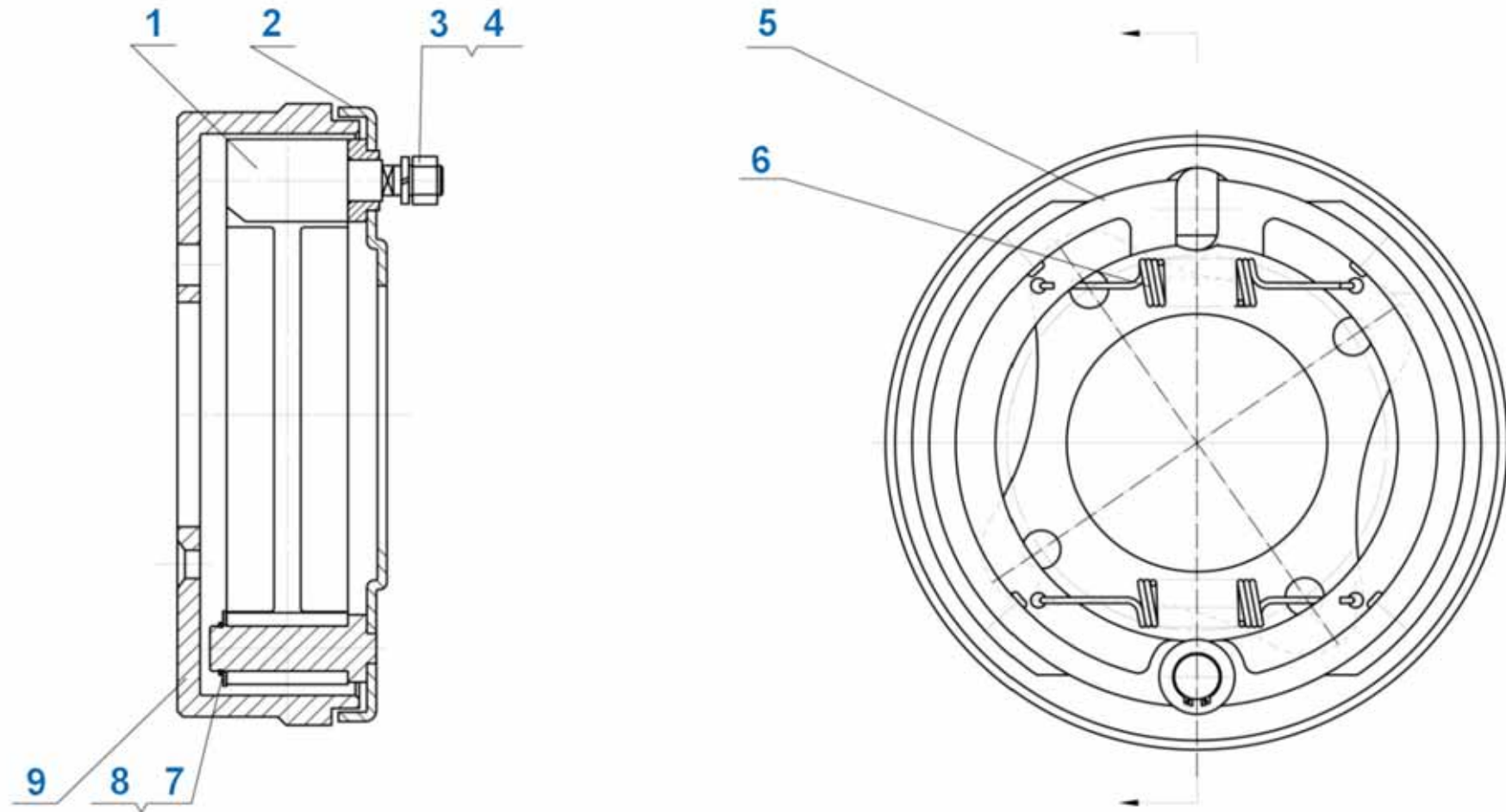
2.6 Tyre assembly (27x8.5-15NHS)



Tyre assembly (27x8.5-15NHS)

Item	Part number	Part name	Qty	Remark
1	27x8.5-15NHS	Tyre	4	
2	1130-180100-510	Rim component	4	
3	1130-101100-G00	Valve core	4	
4	1130-101000-G10	Left tyre assembly	2	
5	1130-102000-G10	Right tyre assembly	2	

2.7 Brake assembly

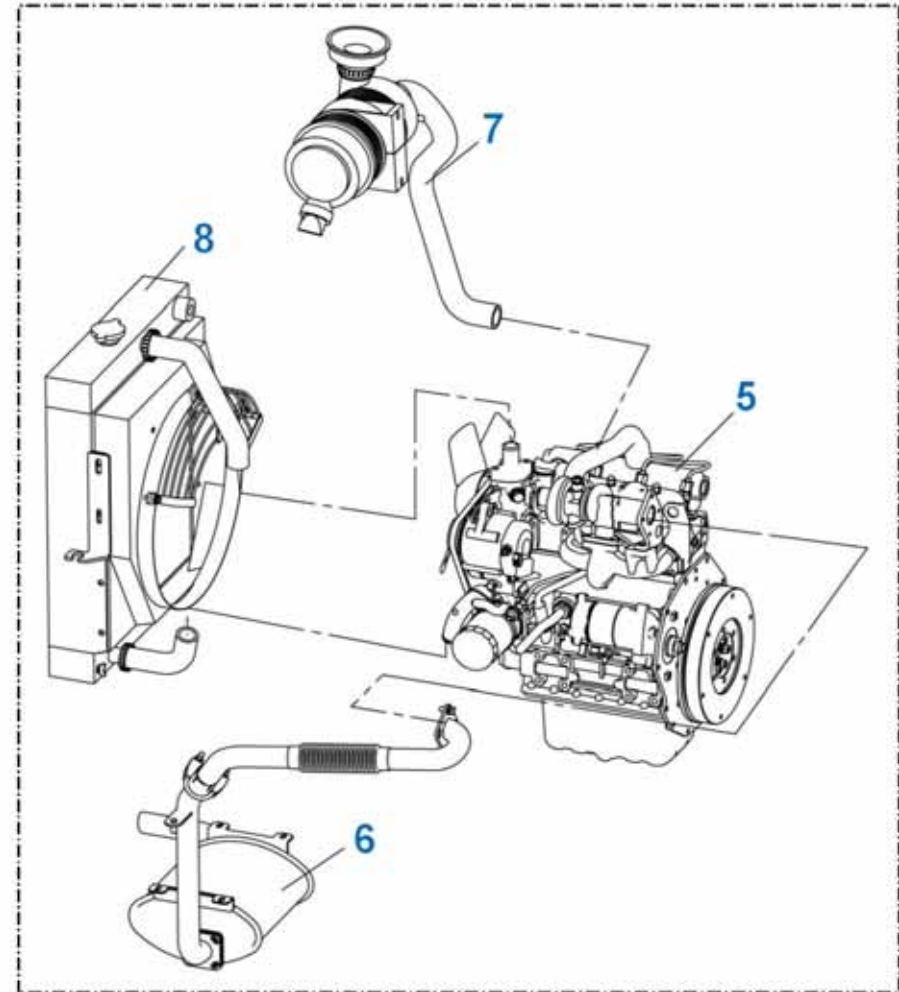
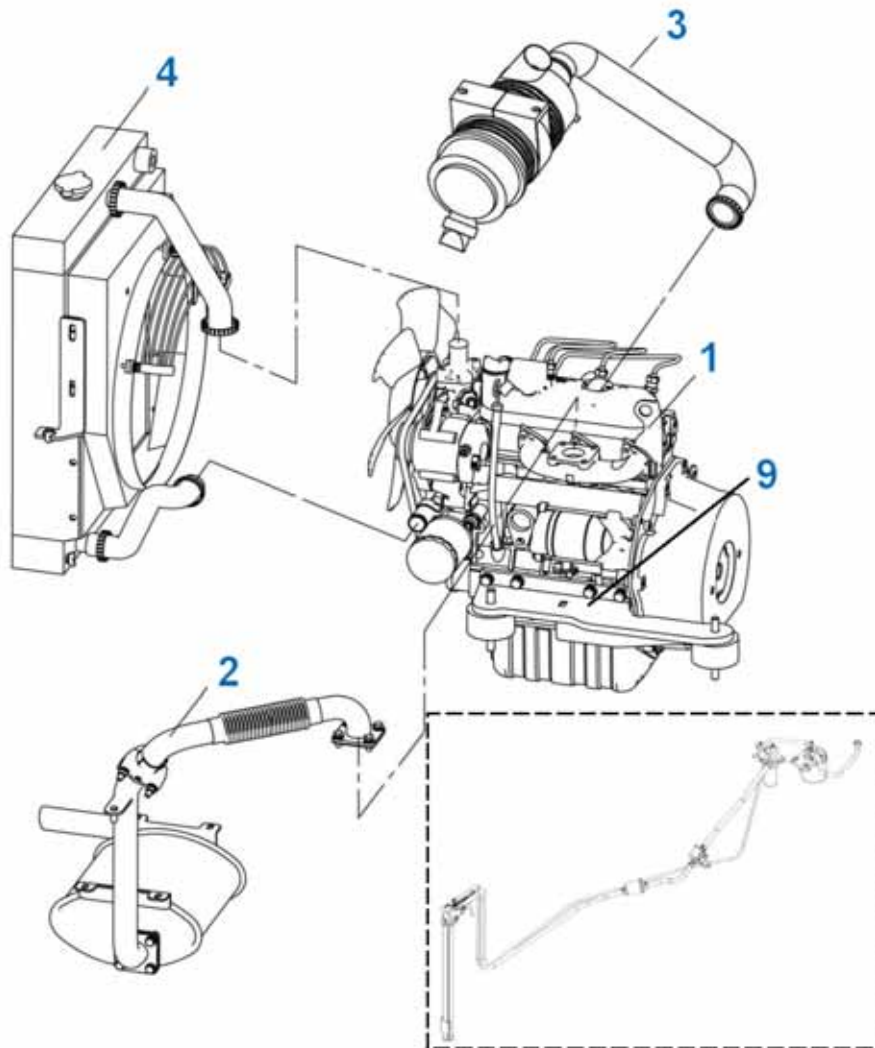


Brake assembly

Item	Part number	Part name	Qty	Remark
A	1020-113000-G10	Brake assembly	1	
1	1020-113001-G10	Camshaft	1	
2	1020-113100-G10	Base plate assembly	1	
3	006170 008001	Nut M8	1	
4	000093 000081	Spring washer 8	1	
5	1020-113200-G10	Friction plate assembly	2	
6	1020-113002-G10	Return Spring	2	
7	1020-113004-G10	Flat washer 12	1	
8	008941 000121	Circlip for shaft 12	1	
9	020-113003-G10	Brake drum	1	

3. POWER SYSTEM

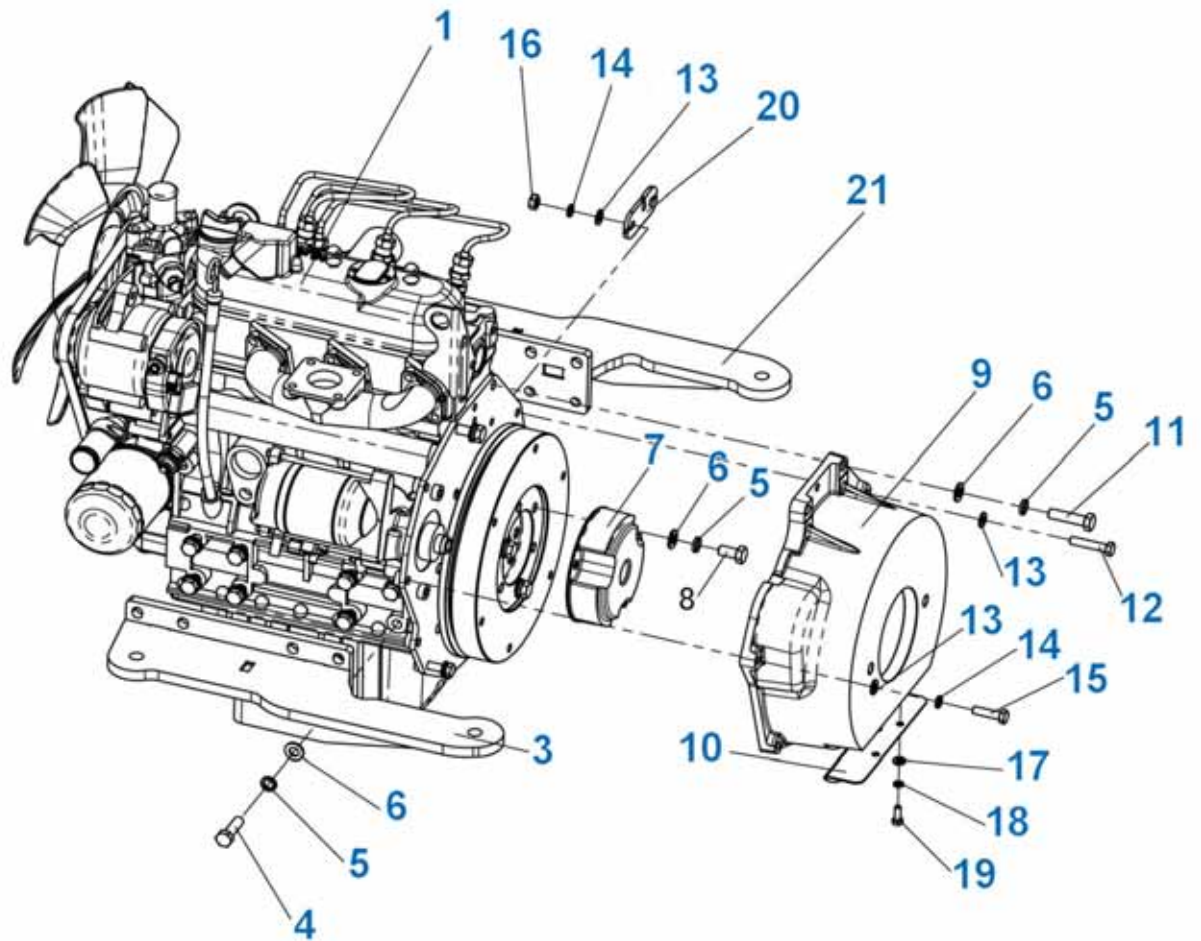
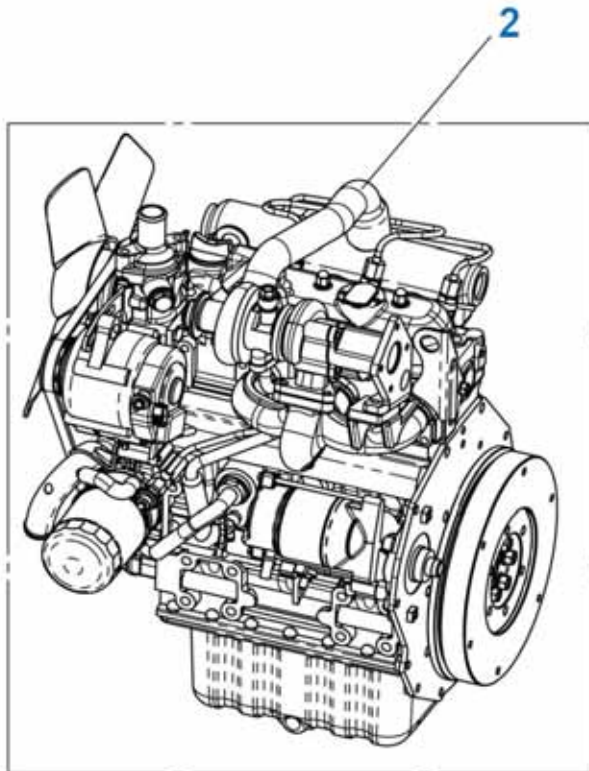
3.1 Power system mounting assembly



Power system mounting assembly

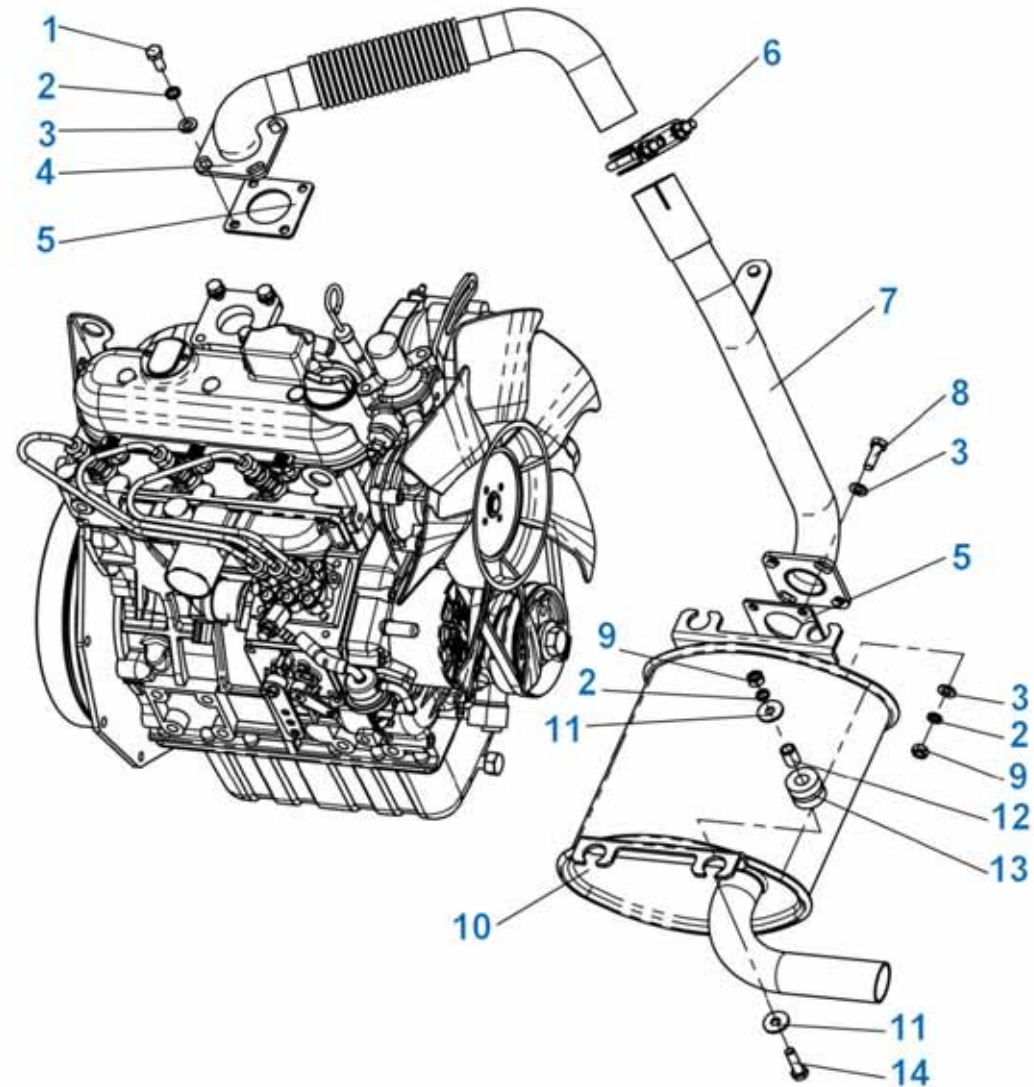
Item	Part number	Part name	Qty	Remark
1	1130-310100-G00	Engine	1	
2	1130-320000-000	Exhaust system	1	
3	1130-330000-000	Air inlet system	1	
4	1130-340000-000	Cooling system	1	
5	1130-310100-G50	Engine	1	Option
6	1130-320000-500	Exhaust system	1	Option
7	1130-330000-500	Air inlet system	1	Option
8	1130-340000-500	Cooling system	1	Option
9	1130-350000-000	Fuel system	1	

3.2 Engine



Engine				
Item	Part number	Part name	Qty	Remark
1	1130-310100-G00	Engine assembly (D1105)	1	
3	1130-310600-000	Engine right leg	1	
4	GT05786-010035-00	Bolt M10x1.25x35	16	
5	GT00093-000010-00	Washer 10	21	
6	000971-000010-00	Washer 10	21	
7	1130-100700-G00	Coupling	1	
8	GT05786-010025-00	Bolt M10x1.25x25	3	
9	1020-310001-G00	Clutch housing	1	
10	1020-310003-000	Clutch cover plate	1	
11	GT05786-010040-00	Bolt M10x1.25x40	2	
12	005783-008040-00	Bolt M8x40	1	
13	005783-008035-00	Bolt M8x35	4	
14	GT00093-000008-00	Washer 8	5	
15	000971-000008-00	Washer 8	6	
16	GT06170-000008-00	Nut M8	1	
17	000971-000006-00	Washer 6	2	
18	GT00093-000006-00	Washer 6	2	
19	005783-006015-00	Bolt M6x15	2	
20	1130-360001-000	Accelerator cable bracket	1	
21	1130-310700-000	Engine left leg	1	

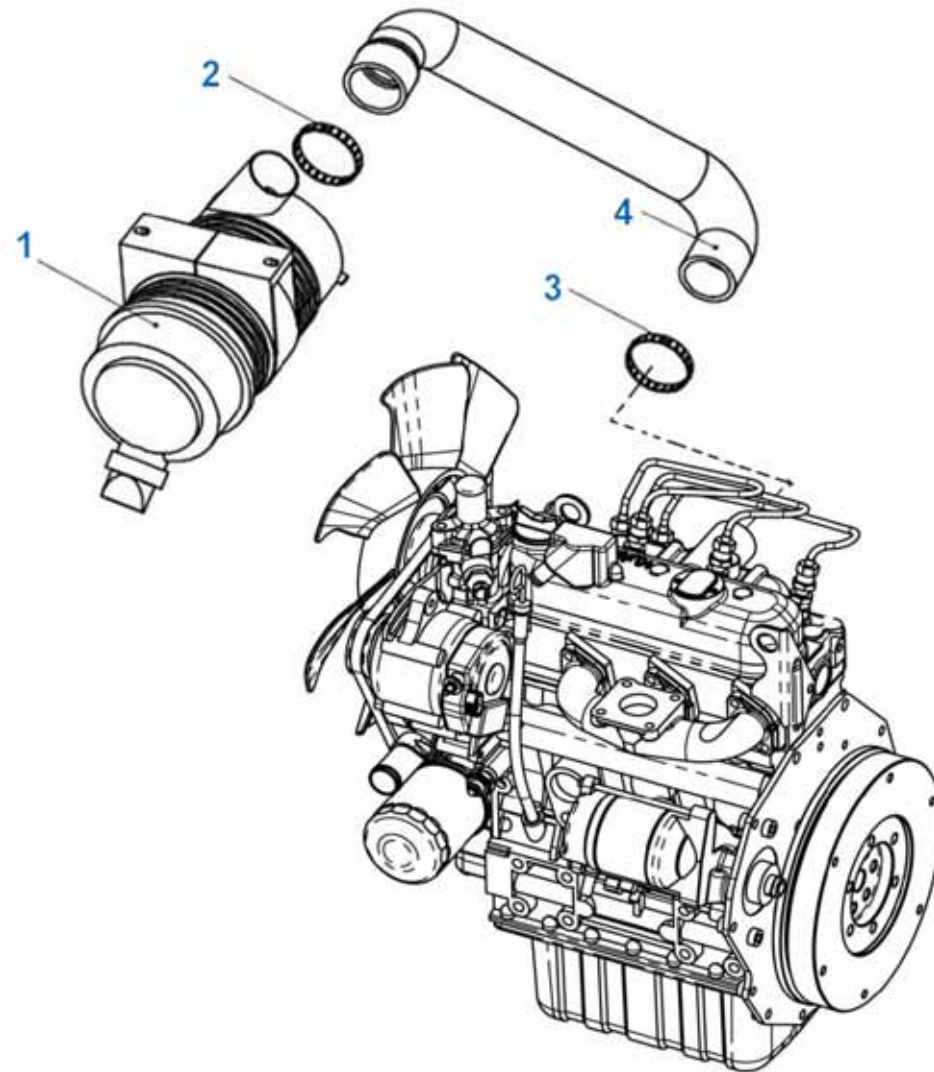
3.3 Exhaust system



Exhaust system

Item	Part number	Part name	Qty	Remark
1	005783-008016-00	Bolt M8x16	4	
2	GT00093-000008-00	Washer 8	8	
3	000971-000008-00	Washer 8	12	
4	1130-320100-001	Front exhaust pipe assembly	1	
5	1130-300407-G00	Engine joint	2	
6	1230-320400-G00	Exhaust pipe clamp	1	
7	1130-320200-002	Rear exhaust pipe assembly	1	
8	005783-008035-00	Bolt M8x35	4	
9	GT06170-000008-00	Nut M8	4	
10	1130-320300-G01	Muffler	1	
11	GT00096-000008-00	Washer 8	4	
12	1130-340007-G00	Cover	4	
13	1130-340006-G00	Shock pad	4	
14	005783-008030-00	Bolt M8x30	4	

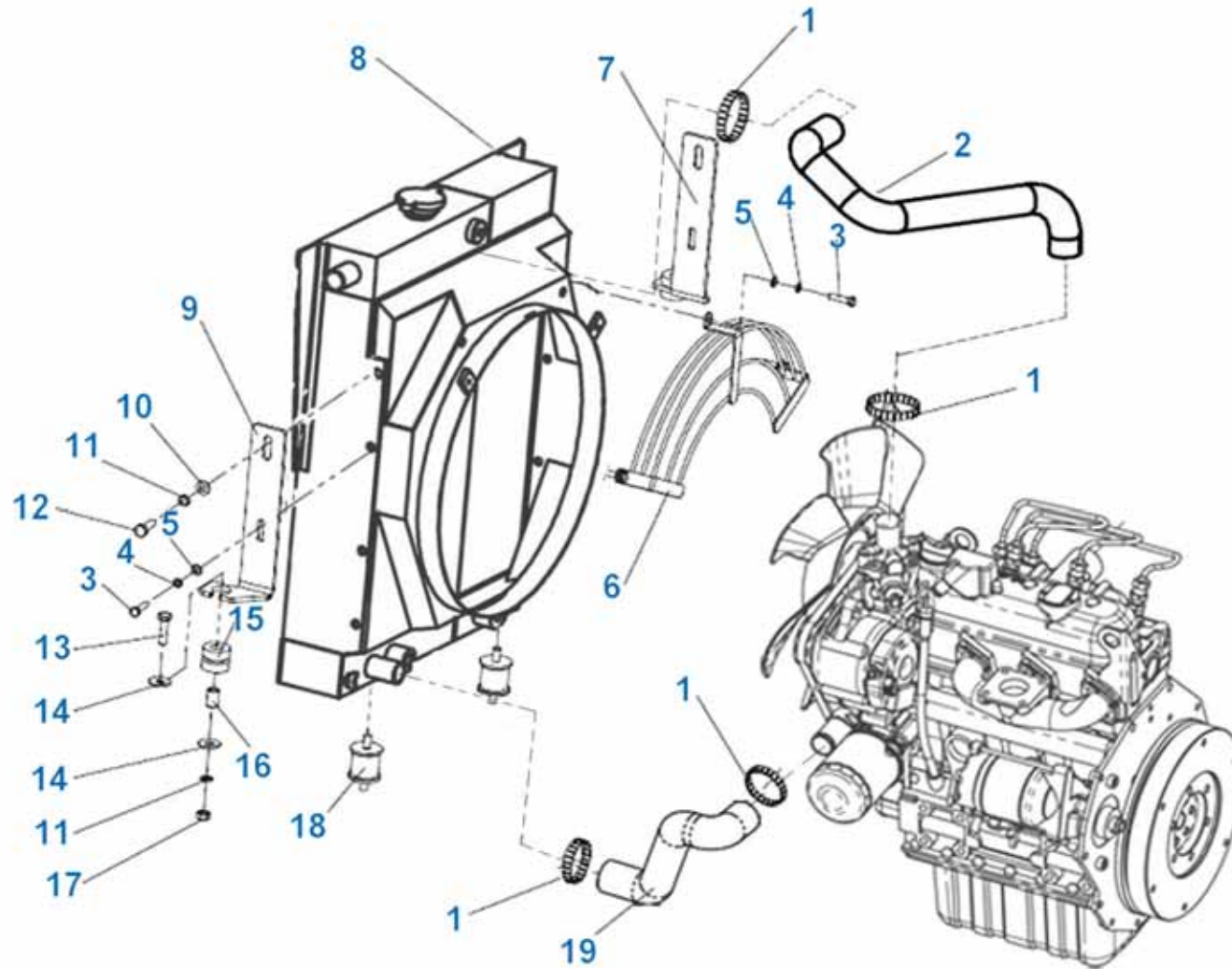
3.4 Air inlet system



Air inlet system

Item	Part number	Part name	Qty	Remark
1	1130-330100-G00	Empty filter	1	
2	JT08870-054062-00	Clamp	1	
3	JT08870-051059-00	Clamp	1	
4	1140-300003-G00	Air inlet pipe	1	

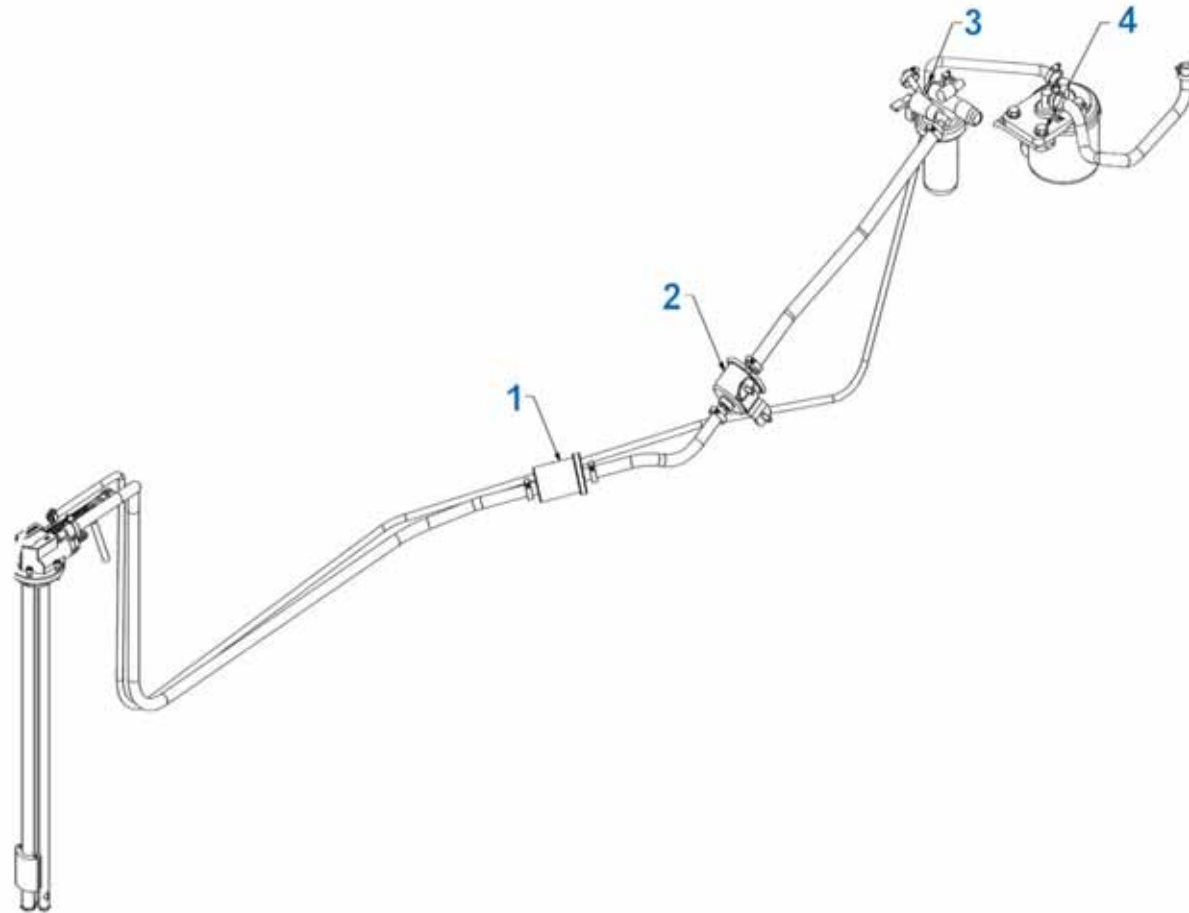
3.5 Cooling system



Cooling system

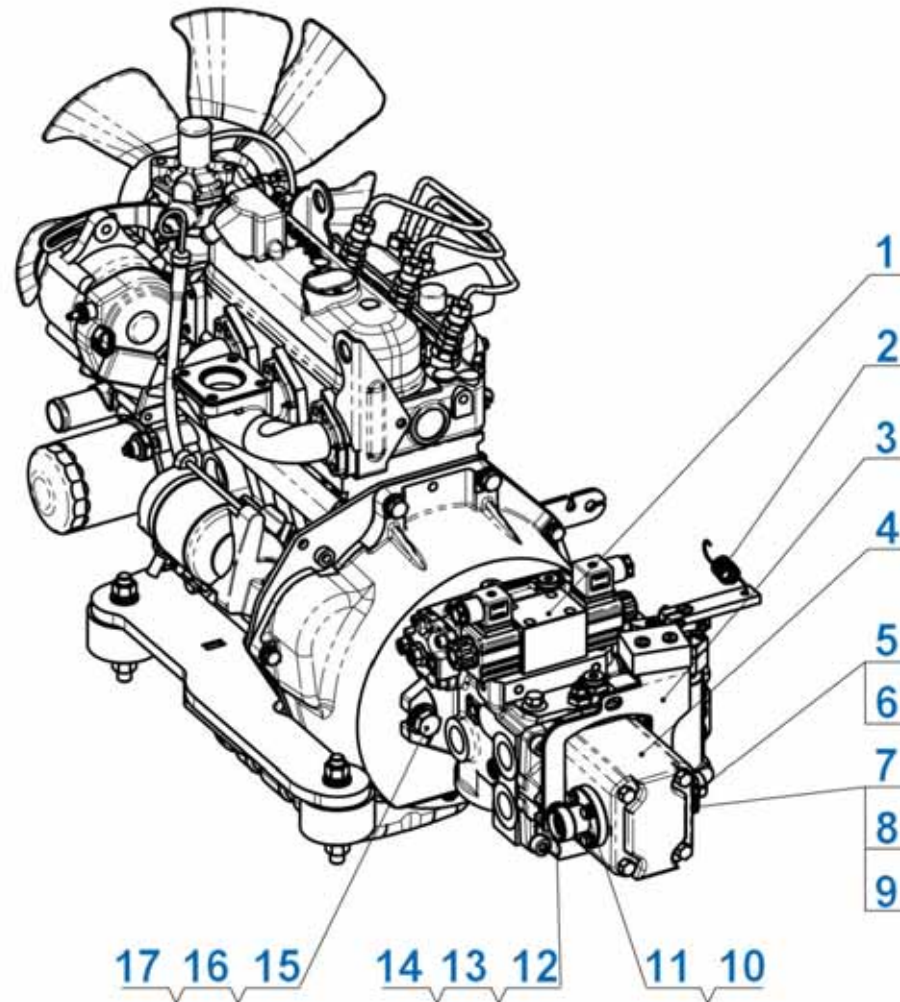
Item	Part number	Part name	Qty	Remark
1	JT08870-035040-00	Hose clamp $\phi 35-\phi 40$	4	
2	810-300008-G00	Upper hose	1	
3	005783-006025-00	Bolt M6x25	3	
4	GT00093-000006-00	Washer 6	5	
5	000971-000006-00	Washer 6	5	
6	810-340300-000	Radiator fan cover assembly	1	
7	1130-340004-002	Radiator left bracket	1	
8	810-340100-G00	Radiator assembly	1	
9	1130-340005-002	Radiator right bracket	1	
10	000971-000008-00	Washer 8	2	
11	GT00093-000008-00	Washer 8	4	
12	005783-008025-00	Bolt M8x25	2	
13	005783-008045-00	Bolt M8x45	2	
14	GT00096-000008-00	Washer 8	4	
15	1130-340006-G00	Radiator up shock pad	2	
16	1130-340007-G00	Cover	2	
17	GT06170-000008-00	Nut 8	2	
18	1130-340001-G00	Radiator shock pad	2	
19	1130-300009-G00	Drain pipe	1	
-	130-300009-G50	Drain pipe	1	

3.6 Fuel system



Fuel system				
Item	Part number	Part name	Qty	Remark
1	1130-350100-G00	Primary fuel filter	1	
2	1130-350200-G00	Suction pump	1	
3	1130-350400-G00	Oil water separator	1	
4	1130-350300-G00	Fuel filter	1	

3.7 Power system

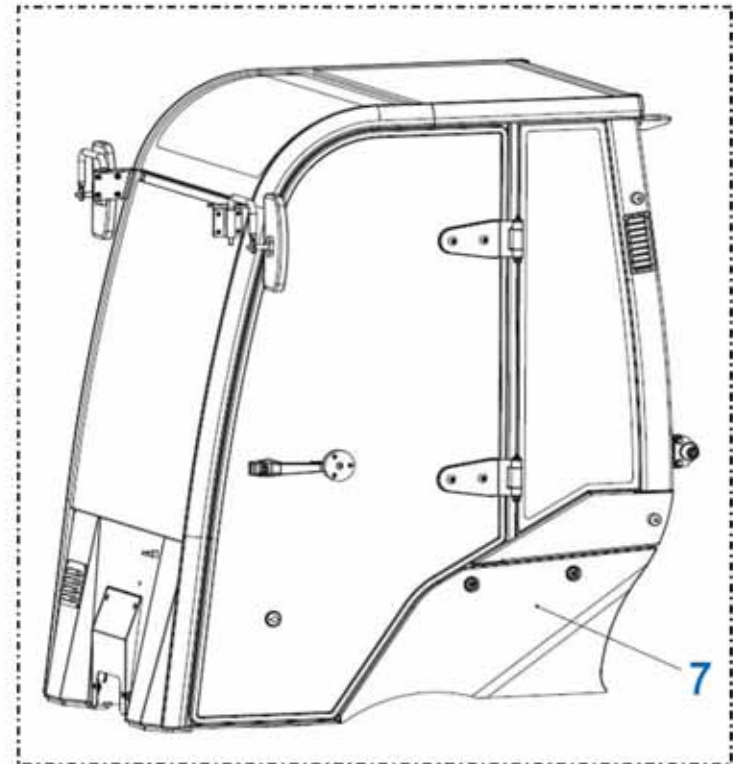
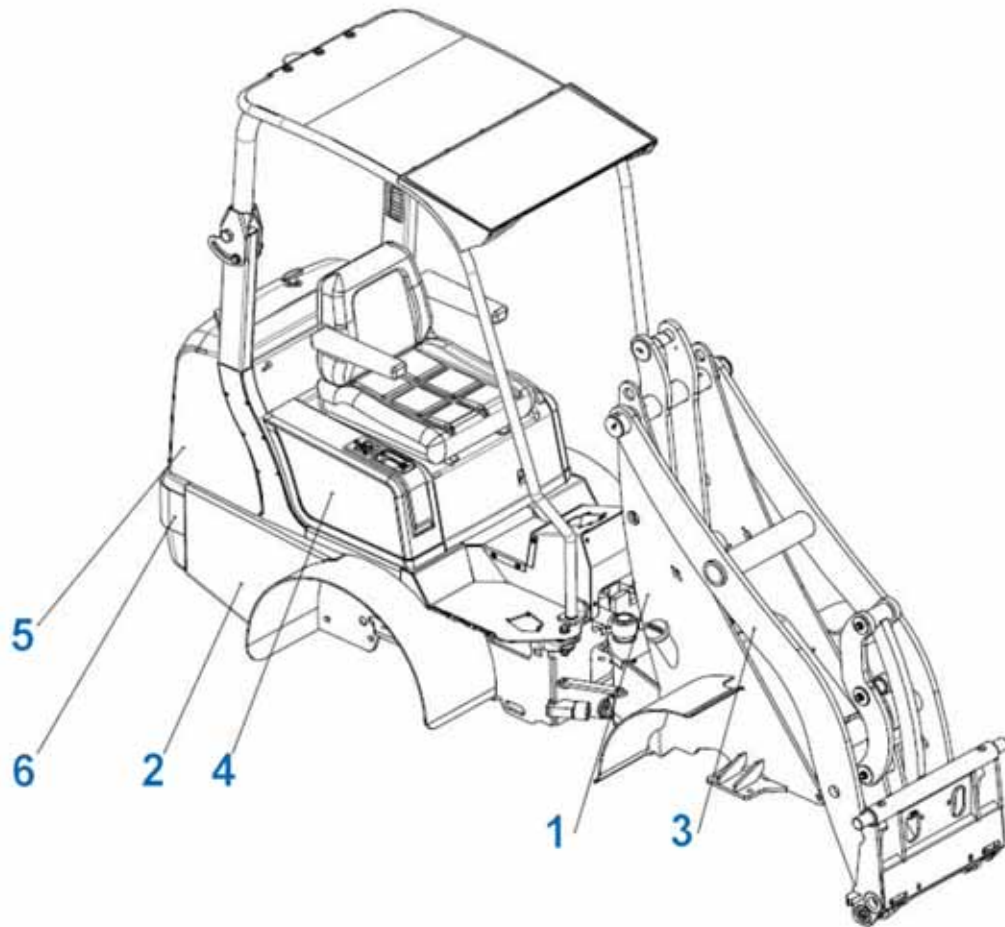


Power system

Item	Part number	Part name	Qty	Remark
1	1130-100800-G00	Plunger pump	1	M4PV28-28 D235AR3BMVR-227
2	1130-100006-001	Fretting return spring	1	
3	1130-700003-000	Travel switch bracket	1	
4	1130-600900-G00	Gear pump	1	
5	1130-600201-000	Gear pump oil outlet	1	
6	034521 200265	O-ring 20x2.65	1	
7	005783 060201	Hex head bolt 6x20-8.8	4	
8	000093 000061	Spring washer 6	4	
9	000971 000061	Flat washer 6	4	
10	1130-600101-000	Gear pump oil inlet	1	
11	034521 250265	O-ring 20x2.65	1	
12	005783 100302	Hex head bolt M10x30-10.9	2	
13	000093 000101	Spring washer 10	2	
14	000971 000101	Flat washer 10	2	
15	005783 140401	M14x40-8.8	2	
16	000093 000141	Spring washer 14	2	
17	000971 000141	Flat washer 14	2	

4. VEHICLE SYSTEM

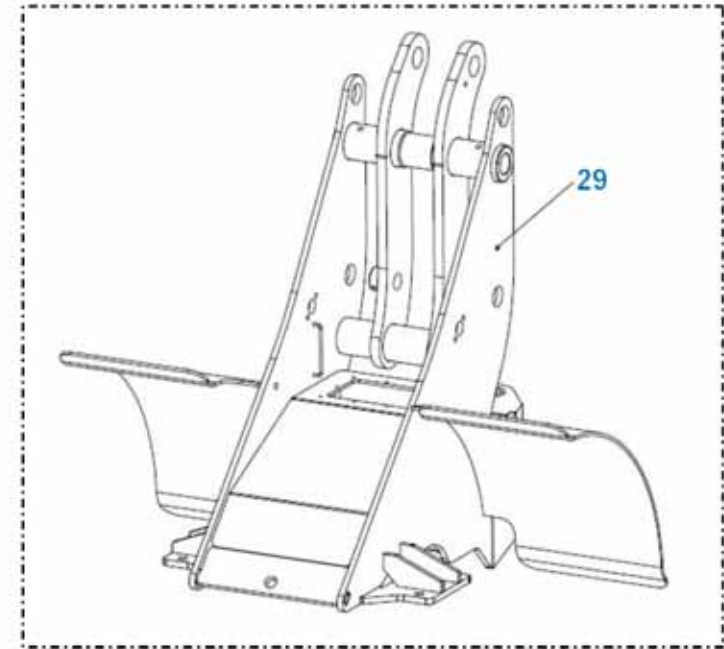
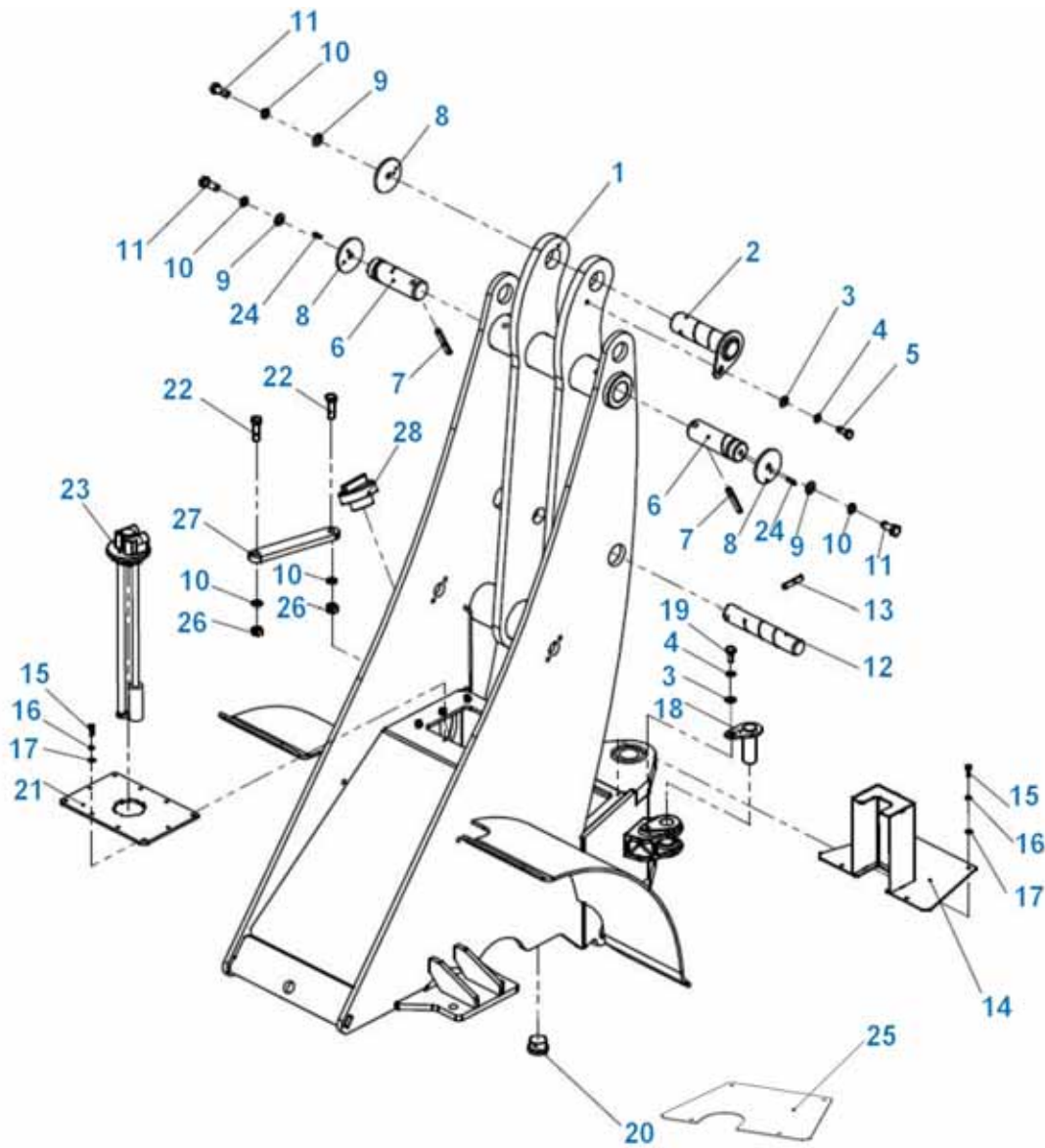
4.1 Vehicle system general assembly



Vehicle system general assembly assy

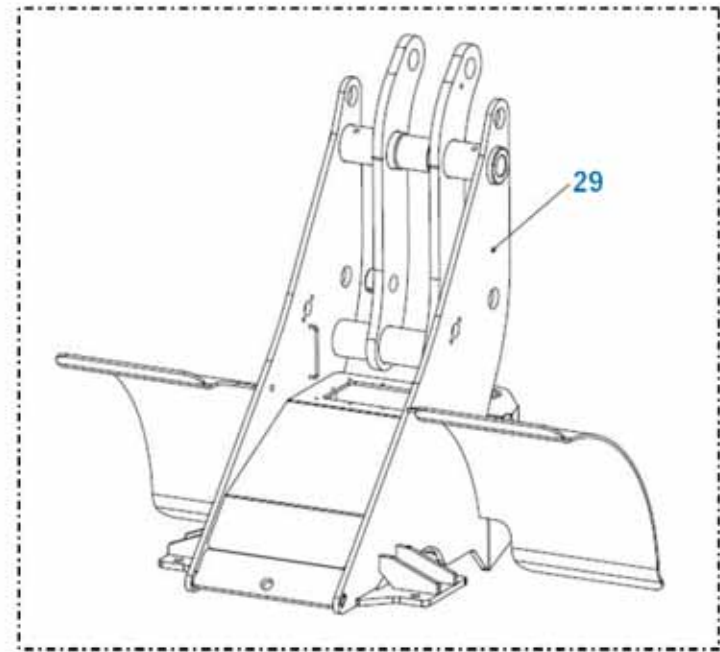
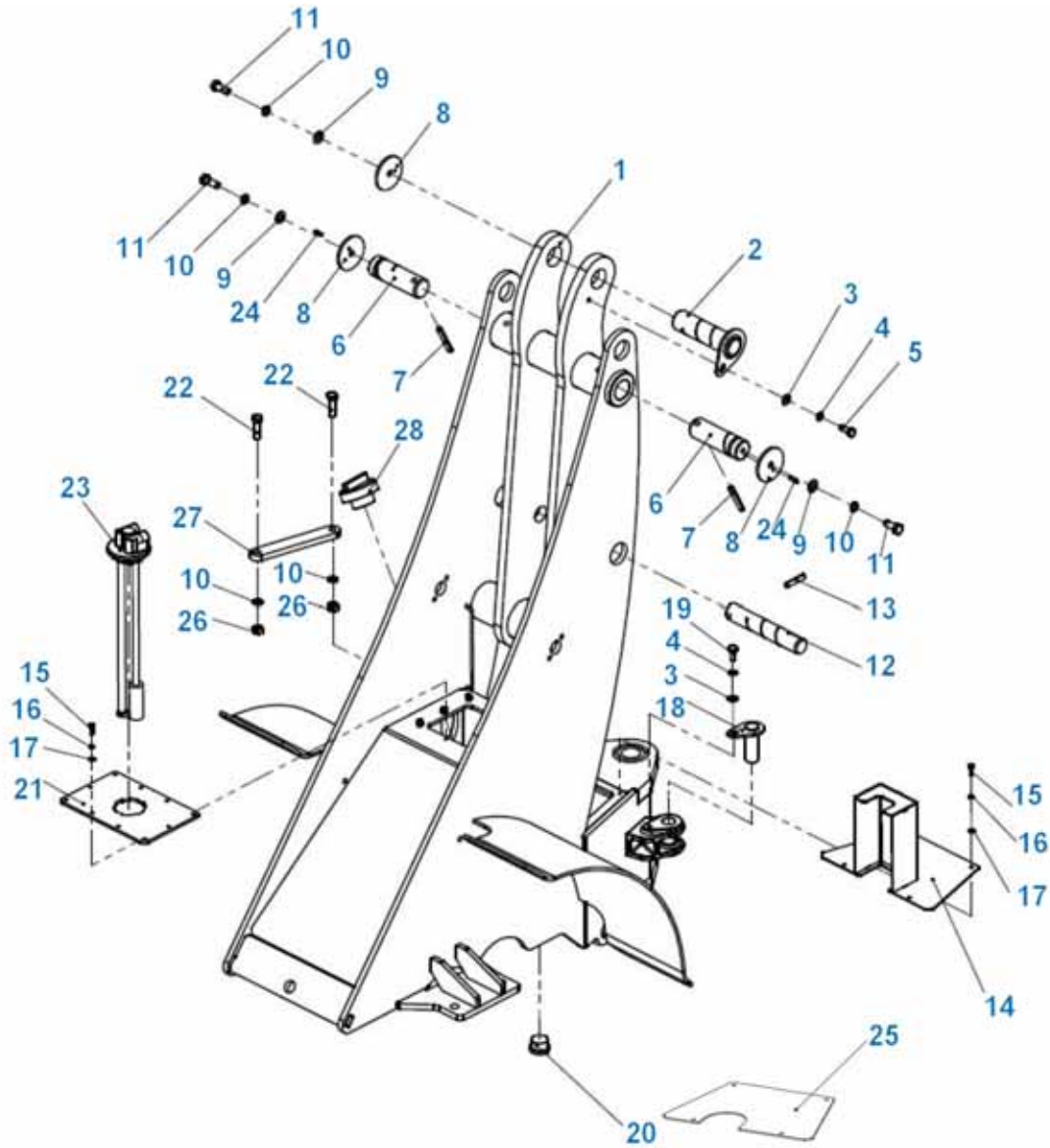
Item	Part number	Part name	Qty	Remark
1	810-410000-000	Front chassis	1	2.9m
	1140-410000-503	Front chassis	1	2.6m
	810-410000-010	Front chassis	1	2.1m
2	1140-420000-510	Rear chassis	1	
3	810-430000-000	Working device	1	2.9m
-	1130-430000-503	Working device	1	2.6m
-	810-430000-010	Working device	1	2.1m
4	810-440000-000	Bonnet component	1	
5	810-445000-000	Rear bonnet assembly	1	
6	1130-440006-G60	Counterweight	1	
7	810-440000-200	Cab assembly	1	

4.2 Front chassis



Front chassis assy

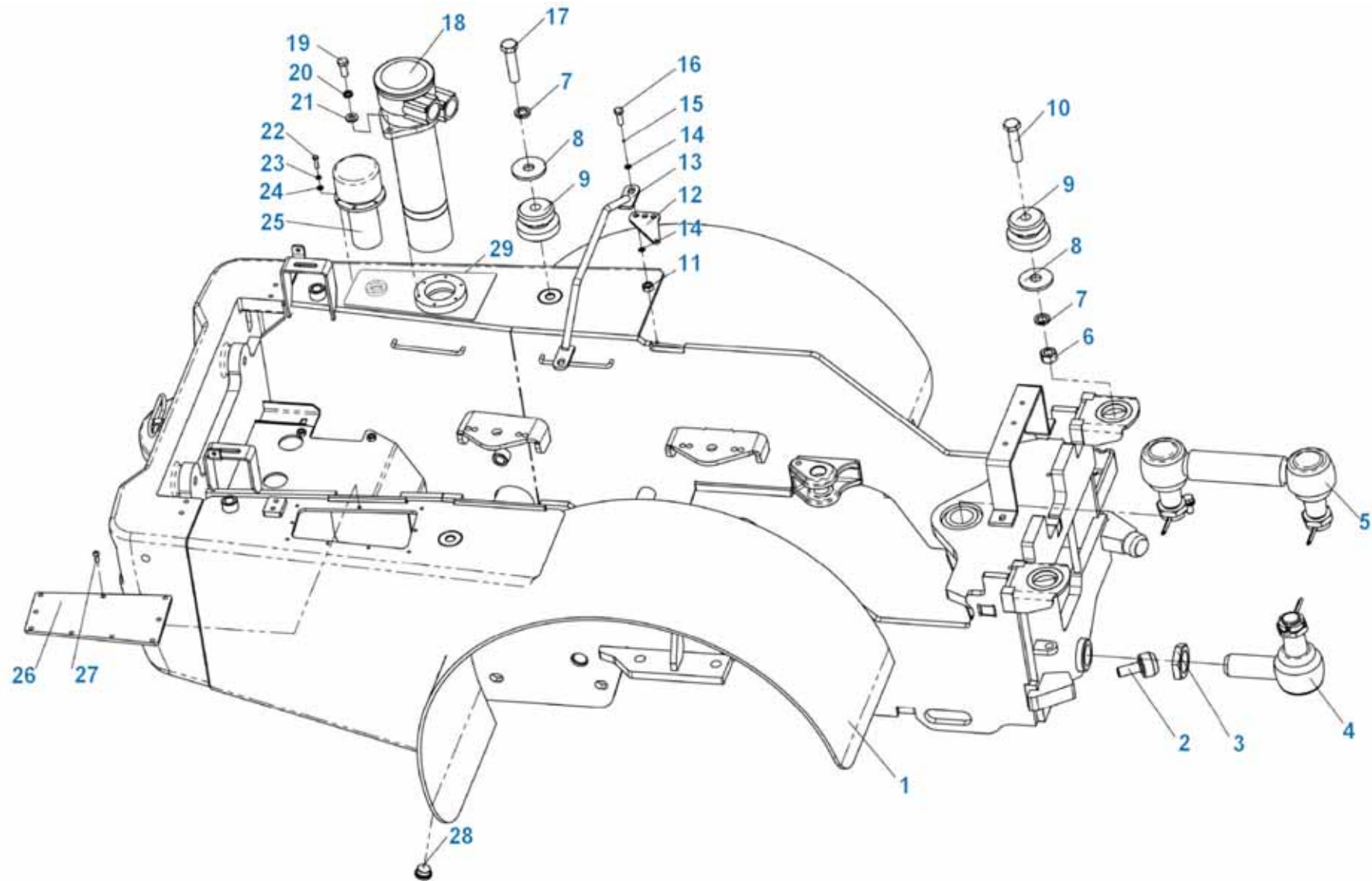
Item	Part number	Part name	Qty	Remark
1	810-410000-010	Front chassis	1	2.1m
-	1140-410000-503	Front chassis	1	2.6m
-	810-410000-000	Front chassis	1	2.9m
2	1130-410200-000	Hinge pin assembly	1	
3	000971-000010-00	Washer 10	6	
4	GT00093-000010-00	Washer 10	6	
5	GT5783-010030-00	Bolt M10x30	1	
6	1130-410102-000	Hinge pin	2	
7	GT879P1-010070-00	Elastic cylindrical pin 10 x 70mm	2	
8	1130-400015-000	Washer	3	
9	000971-000012-00	Washer 12	3	
10	GT0093-000012-00	Washer 12	3	
11	GT5783-012030-00	Bolt M12x30	3	
12	1130-400004-000	Hinge pin	1	
13	GT879P1-010050-00	Elastic cylindrical pin 10 x 50mm	1	
14	1130-400800-000	Oil filter cover plate	1	
15	005783-006016-00	Bolt M6x16	14	
16	000971-000006-00	Washer 6	14	
17	GT000093-000006-00	Washer 6	14	
18	1130-200100-000	Hinge pin assembly	1	
19	GT5783-010020-00	Bolt M10x20	1	
20	1130-400008-G00	Fuel tank G1	1	
21	1130-410035-510	Fuel tank cover plate	1	
22	GT5783-012040-00	Bolt M12x40	2	



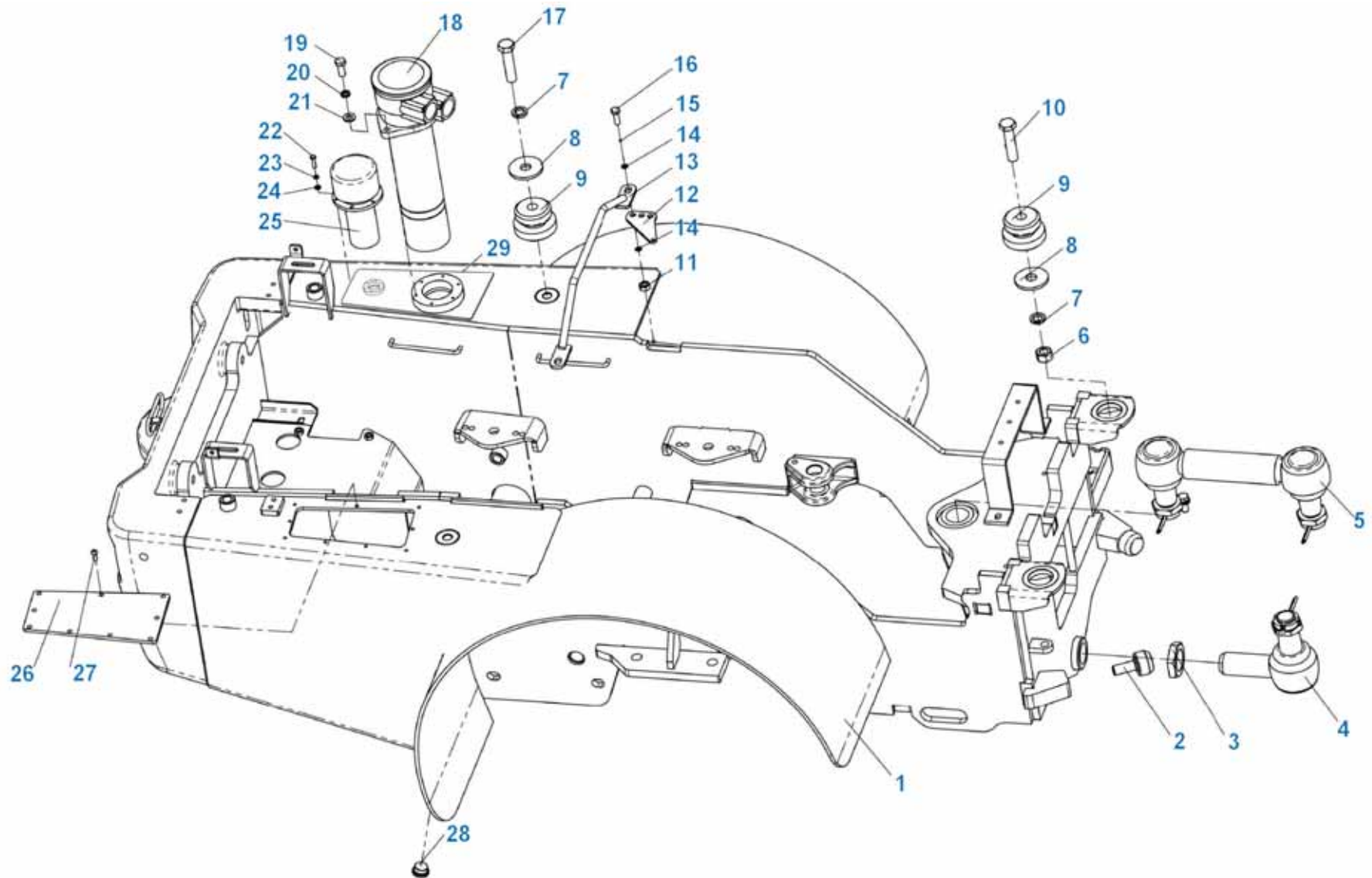
Front chassis assy

Item	Part number	Part name	Qty	Remark
23	1130-701500-G01	Fuel sensor	1	2.9m
	1130-701500-G03	Fuel sensor	1	2.6m
	810-701500-G10	Fuel sensor	1	2.1m
24	GT879P1-005020-00	Cylindrical pin 5x20	2	
25	810-400801-010	Cover plate	1	2.6m, 2.9m
	810-413003-010	Cover plate	1	2.1m
26	GT06170-000012-00	Hexagon nut M12-8	6	
27	1130-435000-000	Connecting rod assembly	1	
28	1130-410034-G00	Fuel filler cap	1	
29	810-413000-010	Front chassis	1	Lifting height 2.1m with six-way valve
	810-413000-000	Front chassis	1	Lifting height 2.9m with six-way valve
	1140-413000-503	Front chassis	1	Lifting height 2.6m with six-way valve

4.3 Rear chassis



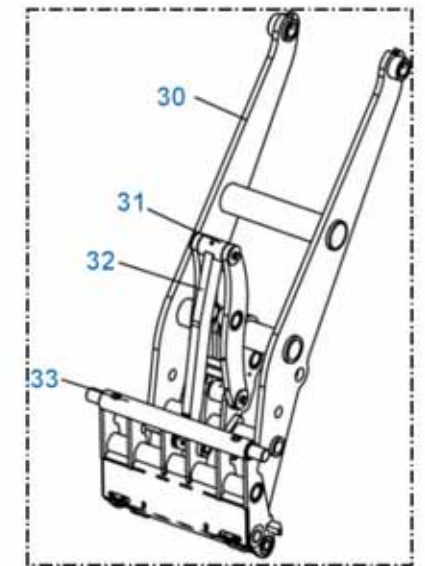
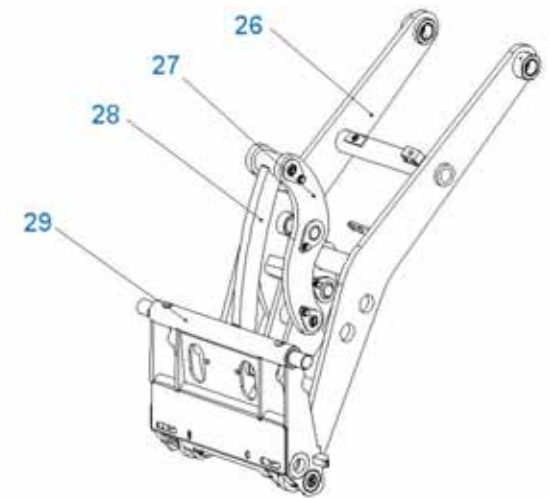
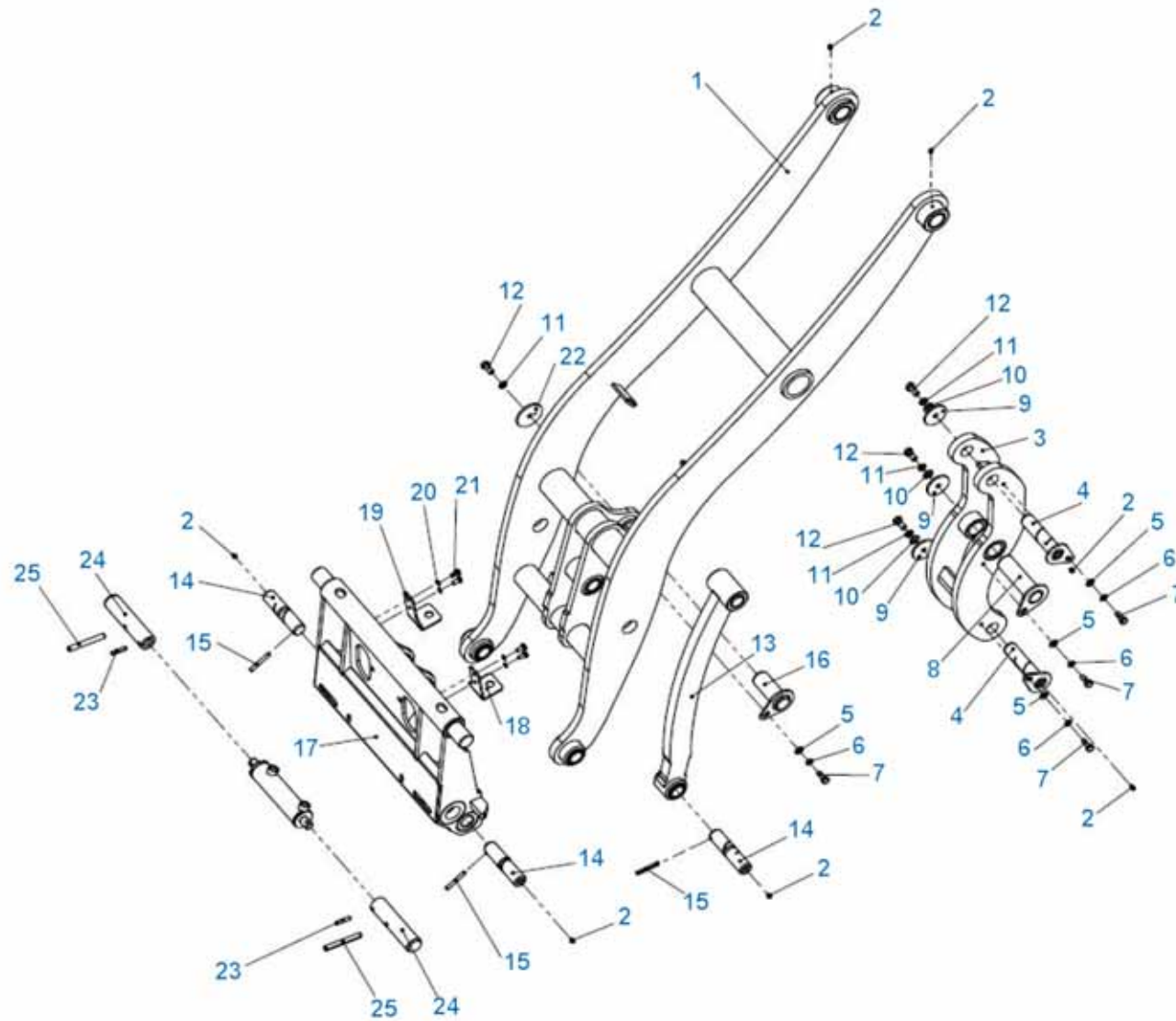
Rear chassis assy				
Item	Part number	Part name	Qty	Remark
1	1140-420000-510	Rear chassis component	1	
-	1140-420000-001	Rear chassis component	1	Narrow fenders
2	1130-400900-001	Limited block	2	
3	GT06173-000038-01	Thin nut M38x1.5	1	
4	1130-400100-000	Unilateral spherical hinge component	1	
5	1130-400200-000	Bidirectional spherical hinge component	1	
6	GT889P1-000016-00	Lock nut M16	2	
7	GT00093-000016-00	Washer 16	4	
8	GT05287-000016-00	Extra large washer 16	4	
9	1130-400800-G00	Canopy shock pad	4	
10	GT05782-016080-00	Bolt M16x80	2	
11	GT889P1-000008-00	Lock nut M8	2	
12		This part has been canceled		
13	1140-700200-000	Harness bracket assembly	1	
14	000971-000008-00	Washer 8	4	
15	GT00093-000008-00	Washer 8	2	
16	005783-008025-00	Bolt M8x25	2	
17	GT05782-016070-00	Bolt M16x70	2	
18	1130-600700-G00	Oil absorbing and returning filter	1	
19	005783-010025-00	Bolt M10x25	2	
20	GT00093-000010-00	Washer 10	6	
21	000971-000010-00	Washer 10	6	
22	005783-005016-00	Bolt M5x16	6	
23	GT00093-000005-00	Washer 5	6	
24	000971-000005-00	Washer 5	6	
25	1130-600800-G00	Prepressing air filter	1	



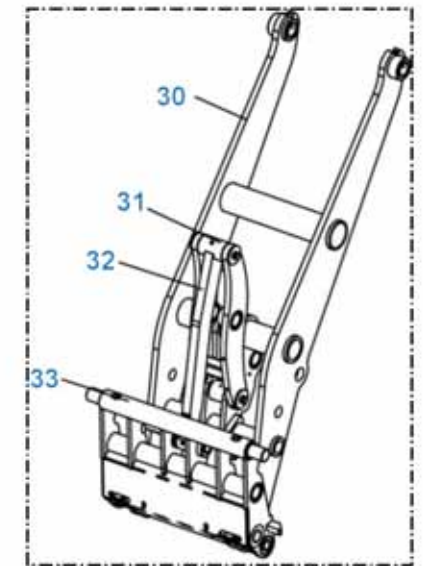
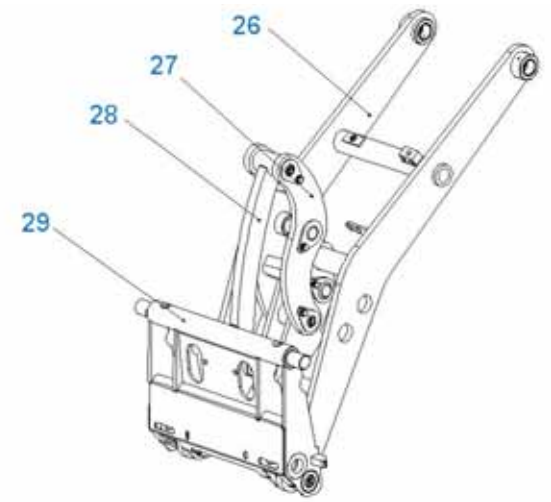
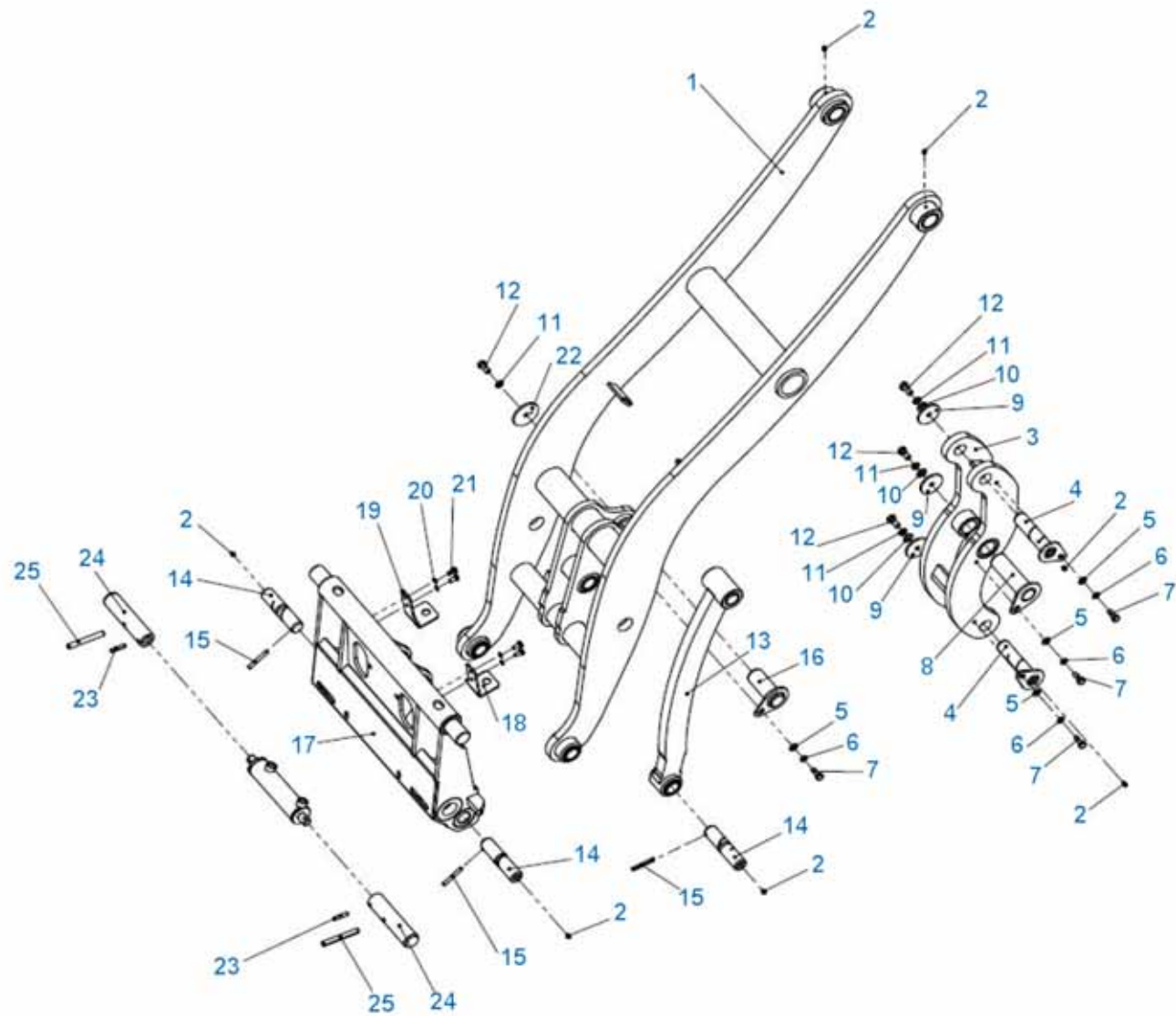
Rear chassis assy

Item	Part number	Part name	Qty	Remark
26	1140-401100-510	Hydraulic oil tank cover plate	1	
27	GT070P2-006016-00	Hexagon socket button head screws M6x16	9	
28	1130-400008-G00	G1 oil tank plug	2	
29	1130-401200-000	Left oil tank cover plate assembly	1	
Note: Fender for 1140-420012-001 (front fender), 1140-420014-001 (right fender) rear frame for narrow fender models				

4.4 Working device



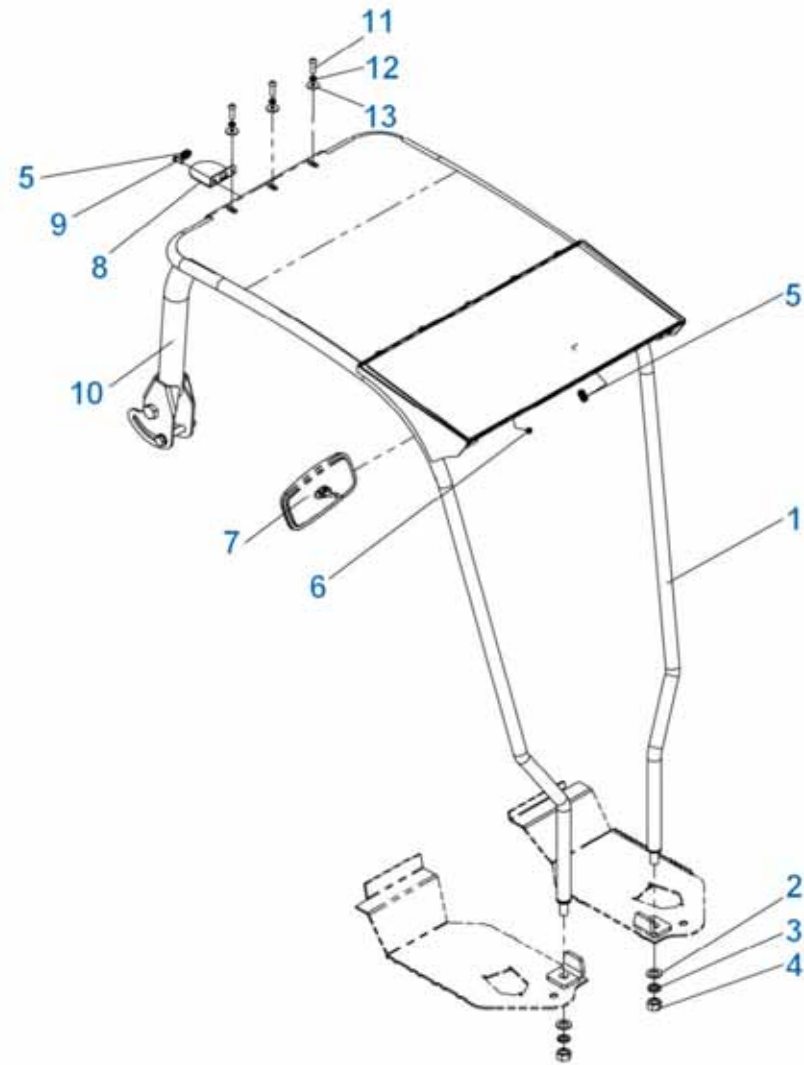
Working device assy				
Item	Part number	Part name	Qty	Remark
1	810-431000-000	Arm assembly	1	2.9m
2	J1970-P1-006000-00	M6 straight through oil pressure cup	9	
3	810-433000-000	Crank arm assembly	1	2.9m
4	1130-430200-001	Hinge pin assembly	2	
5	000971-000010-00	Washer 10	4	
6	GT00093-000010-00	Washer 10	4	
7	005783-010025-00	Bolt M10x25	4	
8	1130-430300-001	Hinge pin assembly	1	
9	1130-400012-000	Spacer	3	
10	000971-000012-00	Washer 12	5	
11	GT00093-000012-00	Washer 12	5	
12	005783-012030-00	Bolt M12x30	5	
13	810-435000-000	Connecting rod assembly	1	2.9m
14	1130-400016-001	Hinge pin	3	
15	GT879P1-0008060-00	Pin 8x60	3	
16	1130-430100-000	Hinge pin assembly	1	
17	810-432000-000	Quickhitch assembly	1	2.9m
-	1130-432000-520	Quickhitch assembly		2.9m
-	1130-432000-512	Quickhitch assembly		2.9m
18	1130-430002-502	Hose mount plate	1	1130-430003-502 (for four-way valve)
19	1130-430001-502	Hose mount plate	1	1130-430003-502 (for four-way valve)
20	GT00093-000008-00	Washer 8	4	
21	005783-008016-00	Bolt M8x16	4	
22	1130-400015-000	Spacer	1	
23	GT119P1-008040-00	Pin 8x40	2	



Working device assy

Item	Part number	Part name	Qty	Remark
24	1130-400014-000	Hinge pin	2	
-	1130-400014-520	Hinge pin	2	European
-	130-400014-512	Hinge pin	2	Sweden
25	GT119P1-012100-00	Pin 12x100	2	
26	810-431000-010	Arm assembly	1	2.1m
27	810-433000-010	Crank arm assembly	1	2.1m
28	810-435000-010	Connecting rod assembly	1	2.1m
29	810-432000-000	Quickhitch assembly	1	2.1m
30	1130-431000-503	Arm assembly	1	2.6m
31	1130-433000-503	Crank arm assembly	1	2.6m
32	1130-435000-503	Connecting rod assembly	1	2.6m
33	810-432000-000	Quickhitch assembly	1	2.6m
-	810-431100-010	Arm	1	Lifting height 2.1m with six-way valve jib
-	1130-431100-502	Arm	1	Lifting height 2.6m with six-way valve jib
-	810-431100-000	Arm	1	Lifting height 2.9m with six-way valve jib

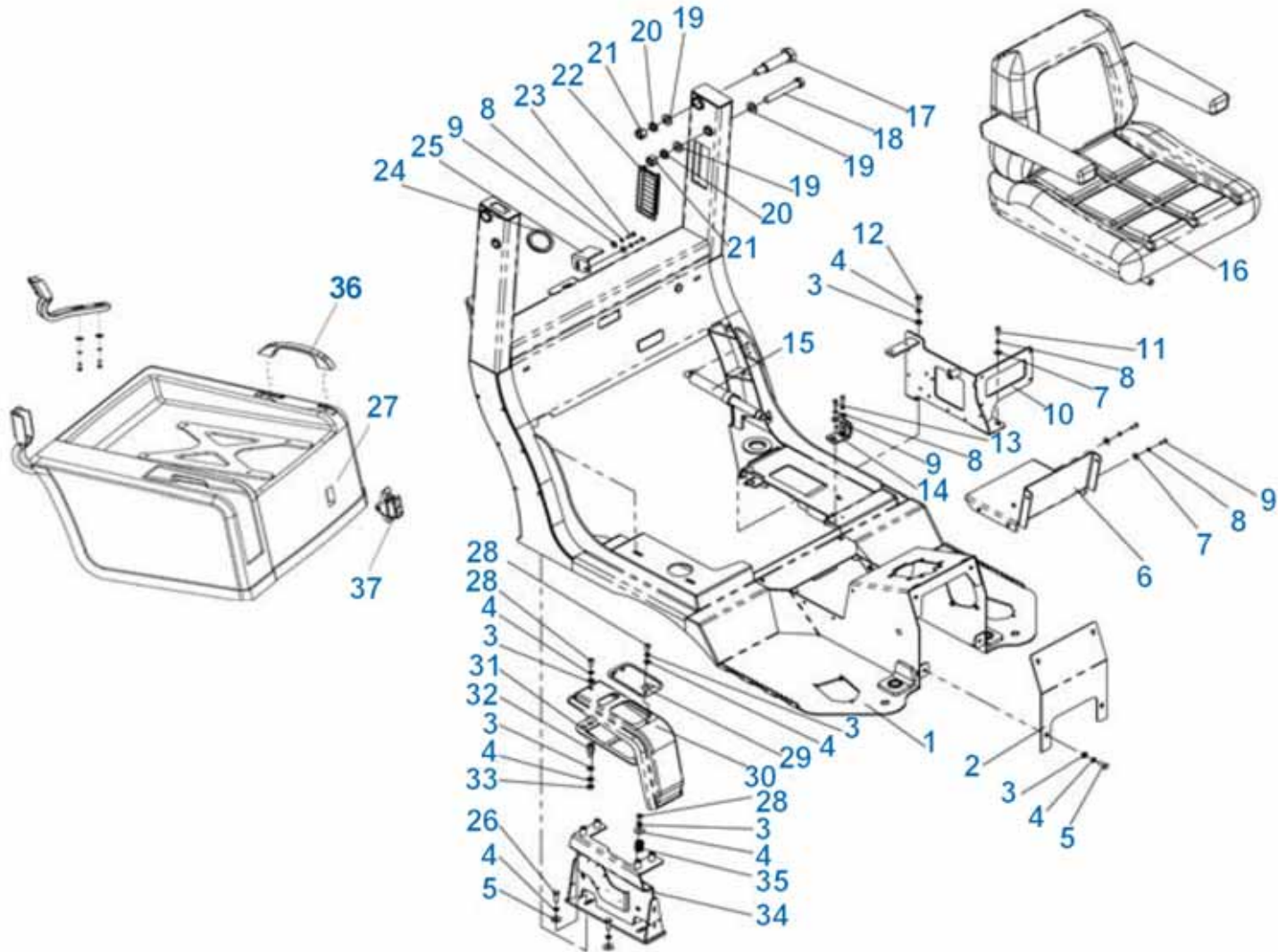
4.5 Canopy mounting assembly



Canopy mounting assembly

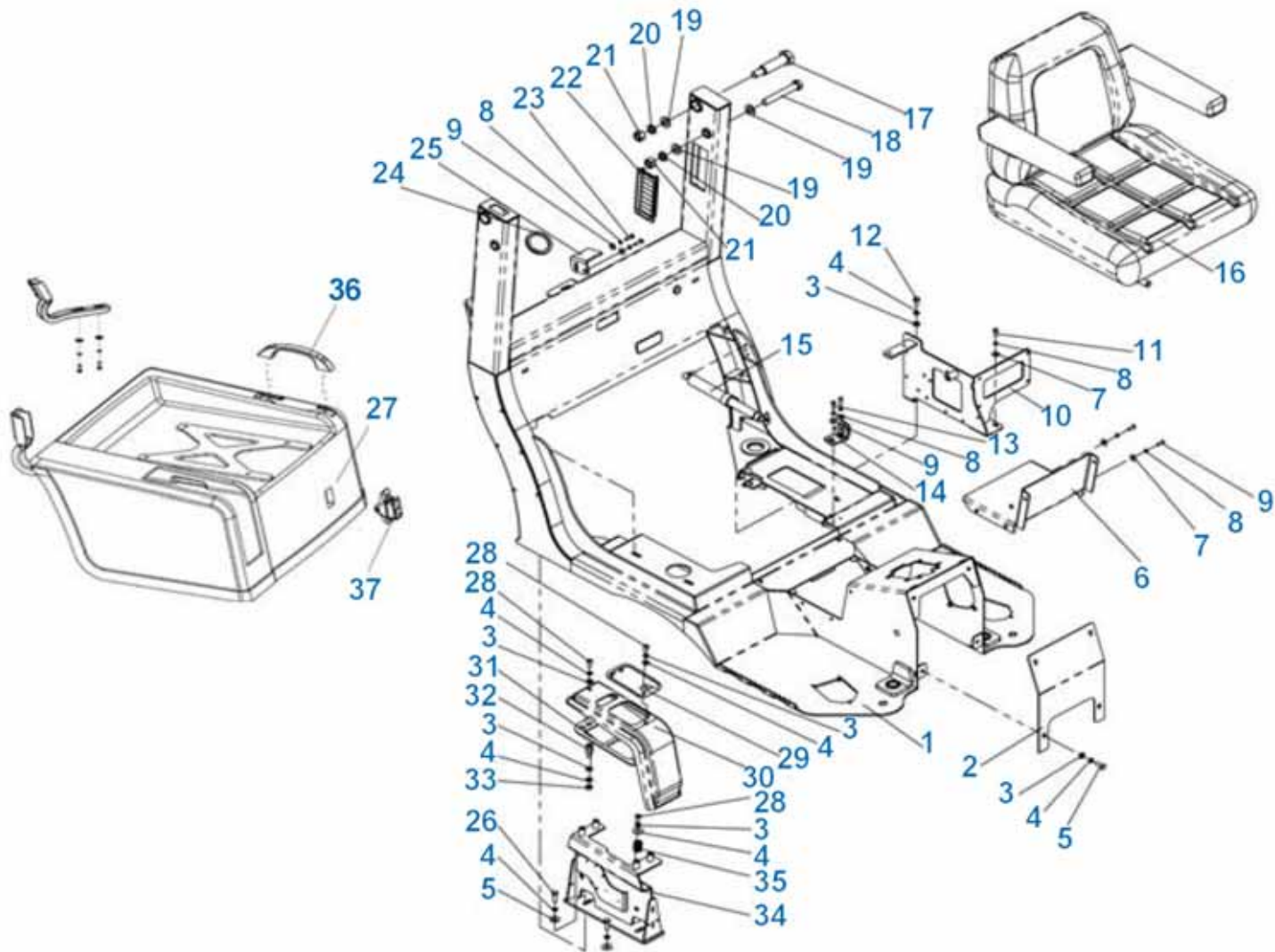
Item	Part number	Part name	Qty	Remark
1	810-444000-000	Front leg assembly of canopy	1	
2	000971 000201	Flat washer 20	2	
3	000093 000201	Spring washer 20	2	
4	006170 020001	Hexagon nut M20-8	2	
5	K30G00 540005	Head lamp coil	3	
6	006170 008001	Hexagon nut M8-8	2	
7	1130-440700-G00	Reflector	1	
8	810-440012-000	Beacon bracket	1	
9	005783 080201	Hexagon bolt 6x20-8.8	2	
10	810-443000-000	U bracket	1	
11	000702 100351	Hexagon socket button head screws M10x35-8.8	3	
12	000093 000101	Spring washer 10	3	
13	000096 000101	Big washer 10	3	

4.6 Canopy base mounting assembly



Canopy base mounting assembly

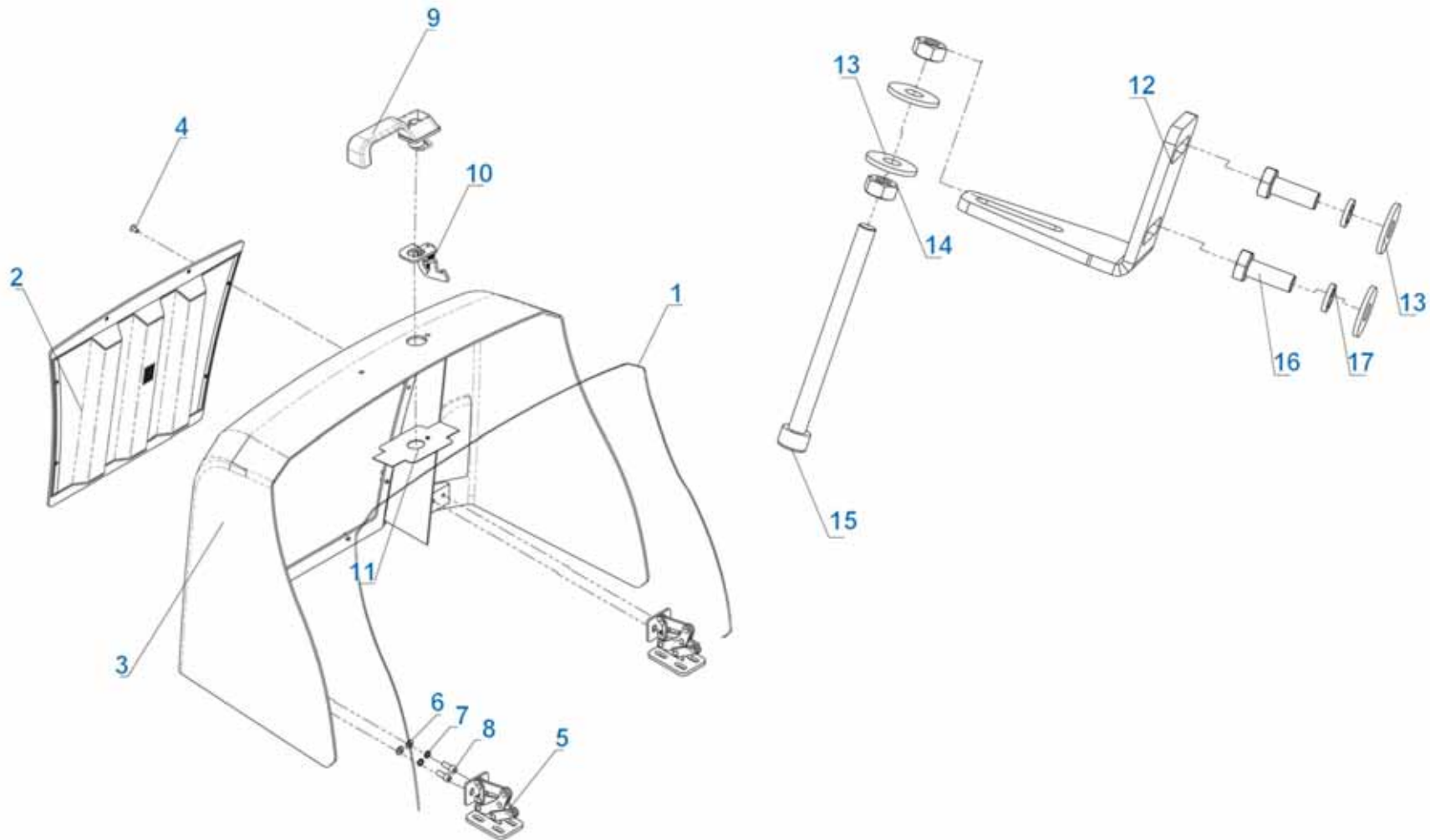
Item	Part number	Part name	Qty	Remark
1	810-441000-000	Bonnet welding assembly	1	
2	1140-440003-000	Front blanking plate	1	
3	000971 000081	Flat washer 8	12	
4	000093 000081	Spring washer 8	10	
5	005783 080201	Hexagonal bolt M8x20-8.8	12	
6	810-440002-000	Rear blanking plate	1	
7	000096 000061	Big washer 6	6	
8	000093 000061	Spring washer 6	6	
9	000702 060161	Hexagon socket button head screws M6x16-8.8	6	
10	810-440300-000	Mounting bracket component	1	
11	005783 060161	Hexagonal head bolt M6x16-8.8	1	
12	005783 080161	Hexagonal head bolt M8x16-8.8	1	
13	000702 060201	Hexagon socket button head screws M6x20-8.8	2	
14	810-446000-000	Latch hook fixed assembly	1	
15	810-470400-G00	Seat air spring	1	
16	1130-440100-G00	Seat	1	
17	1130-400023-000	Rear bend pipe fixing bolt	1	
18	005780 161101	Hexagon bolt M16x110-4.8	2	
19	000971 000161	Flat washer 16	4	
20	000093 000161	Spring washer 16	4	
21	006170 016001	Hexagon nut M16-8	4	
22	810-440009-000	Inlet air louver	1	
23	005783 060201	Hexagon bolt 6x20-8.8	2	
24	810-440011-000	Air inlet retainer	1	
25	810-440004-000	Lock limited plate	1	



Canopy base mounting assembly

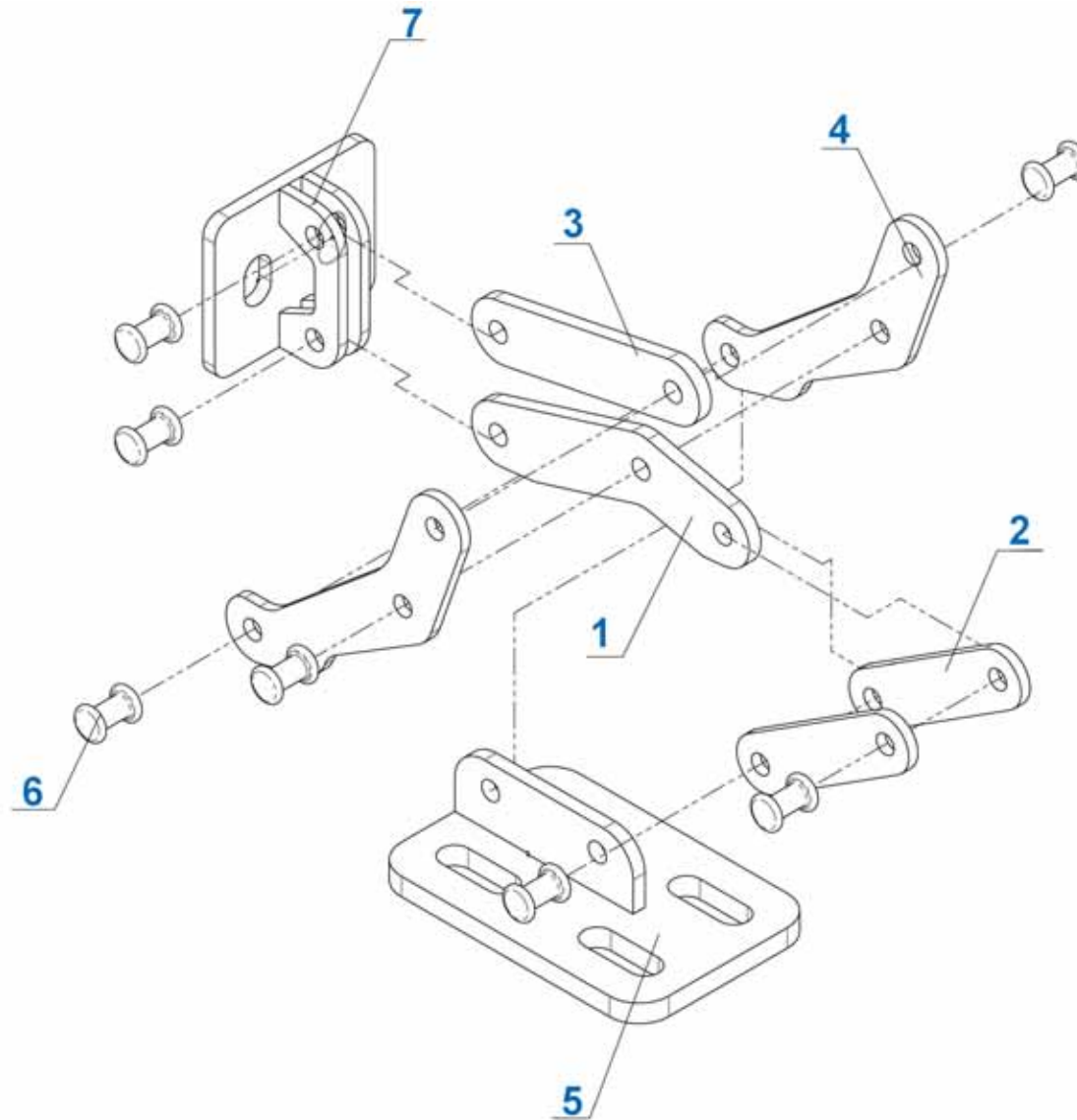
Item	Part number	Part name	Qty	Remark
26	005783 080251	Hexagon bolt M8x25-8.8	1	
27	810-442000-000	Bonnet assembly	1	
28	000702 080161	Hexagon socket button head screw M8x16-8.8	1	
29	810-440014-000	Baffle ring	1	
30	810-440003-000	Multitandem valve cover	1	
31	810-448001-000	Multitandem valve plate	1	
32	810-448002-000	Studs	1	
33	006170 008001	Hexagon nut M8-8	4	
34	810-447000-000	Multitandem valve mount base component	1	
35	810-440008-000	Spring	4	
36	E25G00 520006	Battery box handle	1	
37	810-442100-000	Bonnet lock	1	

4.7 Rear bonnet



Rear bonnet				
Item	Part number	Part name	Qty	Remark
1	1130-445001-G00	Strip	1	
2	810-445300-000	Rear protecting net assembly	1	
3	810-440501-538	Bonnet	1	
4	GT070P3-006012-00	Hexagon socket countersunk head screws M6x12-8.8	8	
5	1130-445200-010	Bonnet hinge	2	
6	000971 000081	Flat washer 8	4	
7	GT00093-000008-00	Spring washer 8	4	
8	GT070P1-008020-00	Hexagon socket button head screws M8x20-8.8	4	
9	810-445600-538	New tail cover lock handle	1	
10	850-440003-538	Latch hook assembly	1	
11	810-445001-000	Tail cover embedded parts	1	
12	810-440004-538	Lock tongue mounting plate	1	
13	000096 000061	Big washer 6	4	
14	GT06170-000006-00	Hexagon nut M6-8	2	
15	GT070P1-006075-00	Hexagon socket button head screws M6x75-8.8	1	
16	GT057981-006016-00	Hexagonal head bolt M6x16-4.8	2	
17	GT00093-000006-00	Spring washer 6	2	

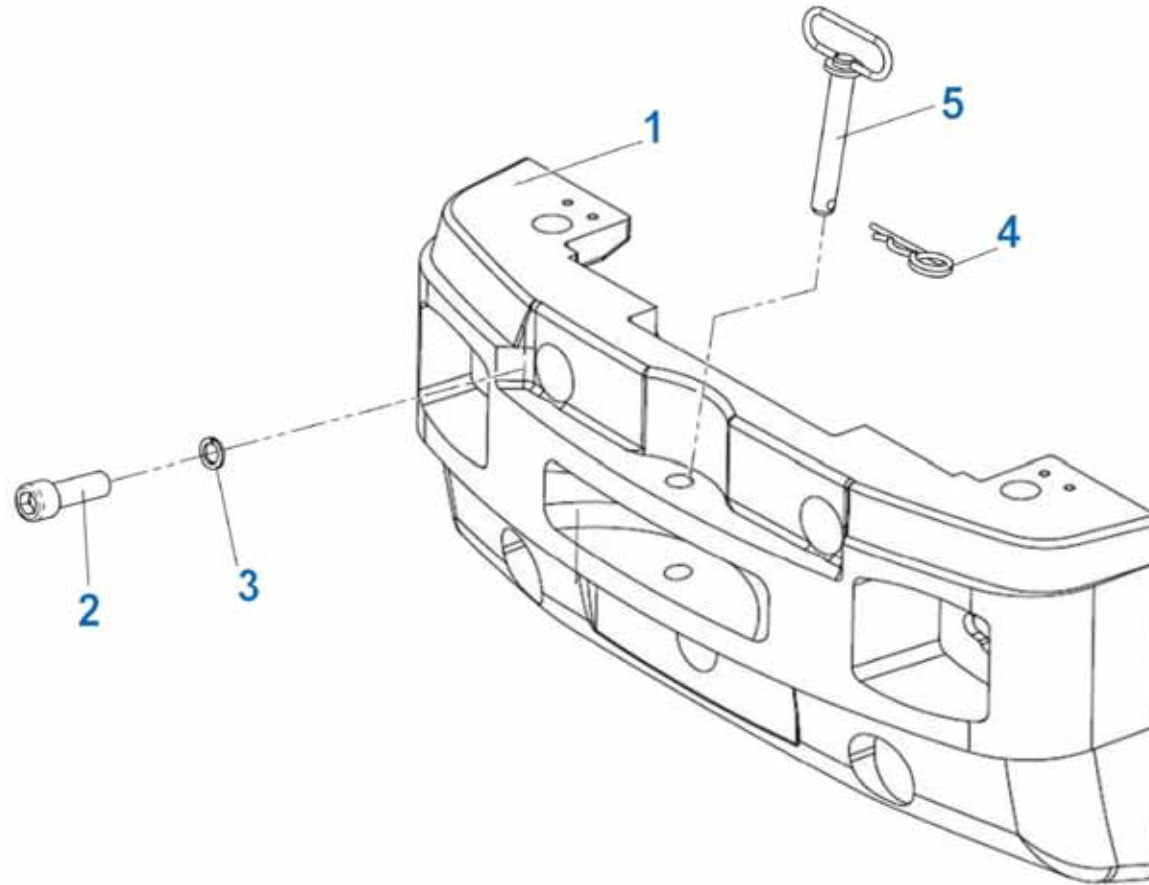
4.8 Bonnet hinge



Bonnet hinge

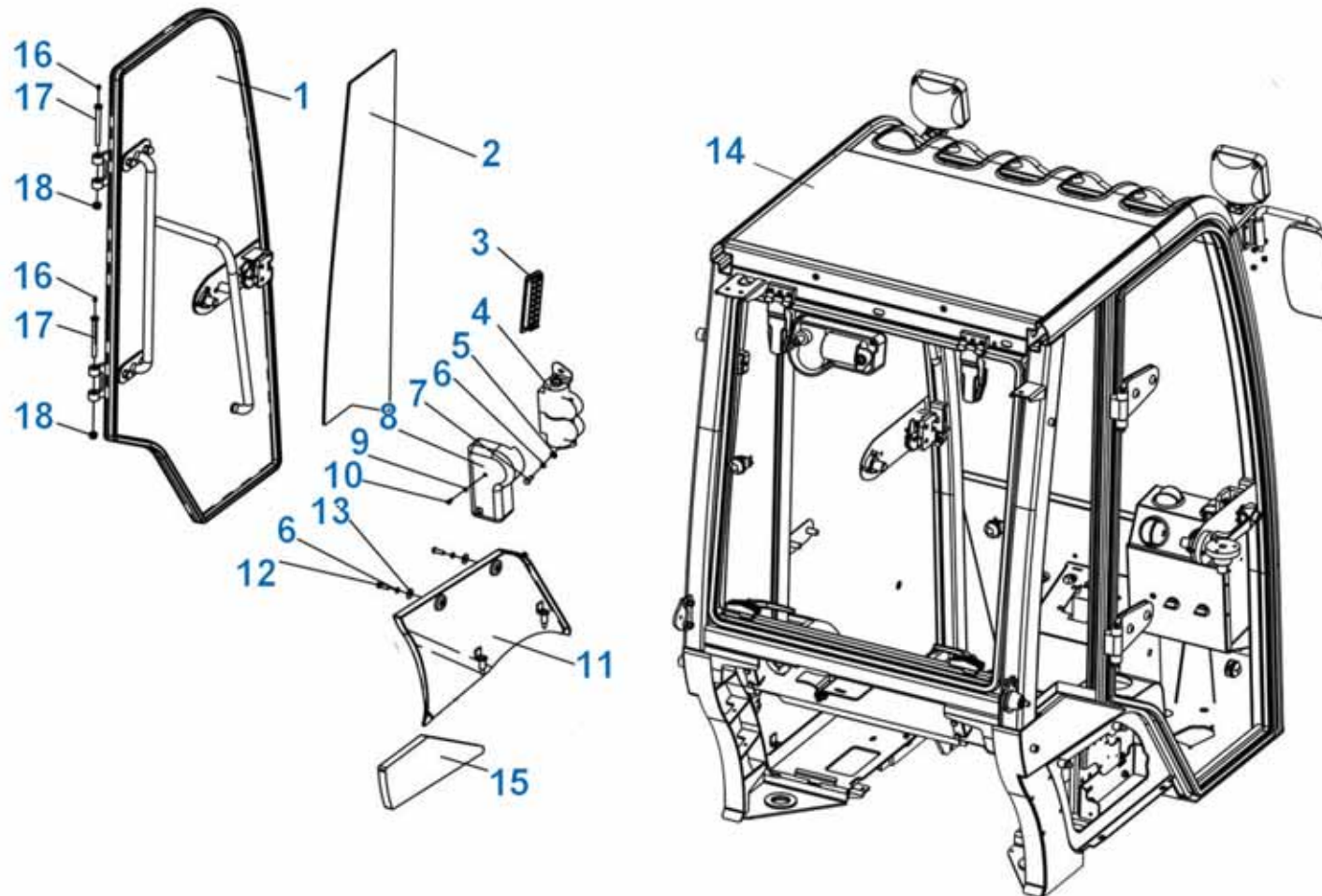
Item	Part number	Part name	Qty	Remark
1	1130-445203-010	Connection plate III	1	
2	1130-445202-010	Connection plate II	2	
3	1130-445204-010	Connection plate IV	1	
4	1130-445201-010	Connection plate I	2	
5	1130-445220-010	Hinge base	1	
6	1130-442004-000	Rivet $\phi 6$	7	
7	1130-445210-010	Tail cover hinge mounting seat	1	

4.9 Counterweight



Counterweight				
Item	Part number	Part name	Qty	Remark
1	1130-440006-G60	Counterweight	1	
2	005783-016060-00	Bolt M16x60	3	
3	GT00093-000016-00	Washer 16	3	
4	1130-440010-G00	Elastic cotter d1=φ4	1	
5	1130-440900-000	Towing plug	1	

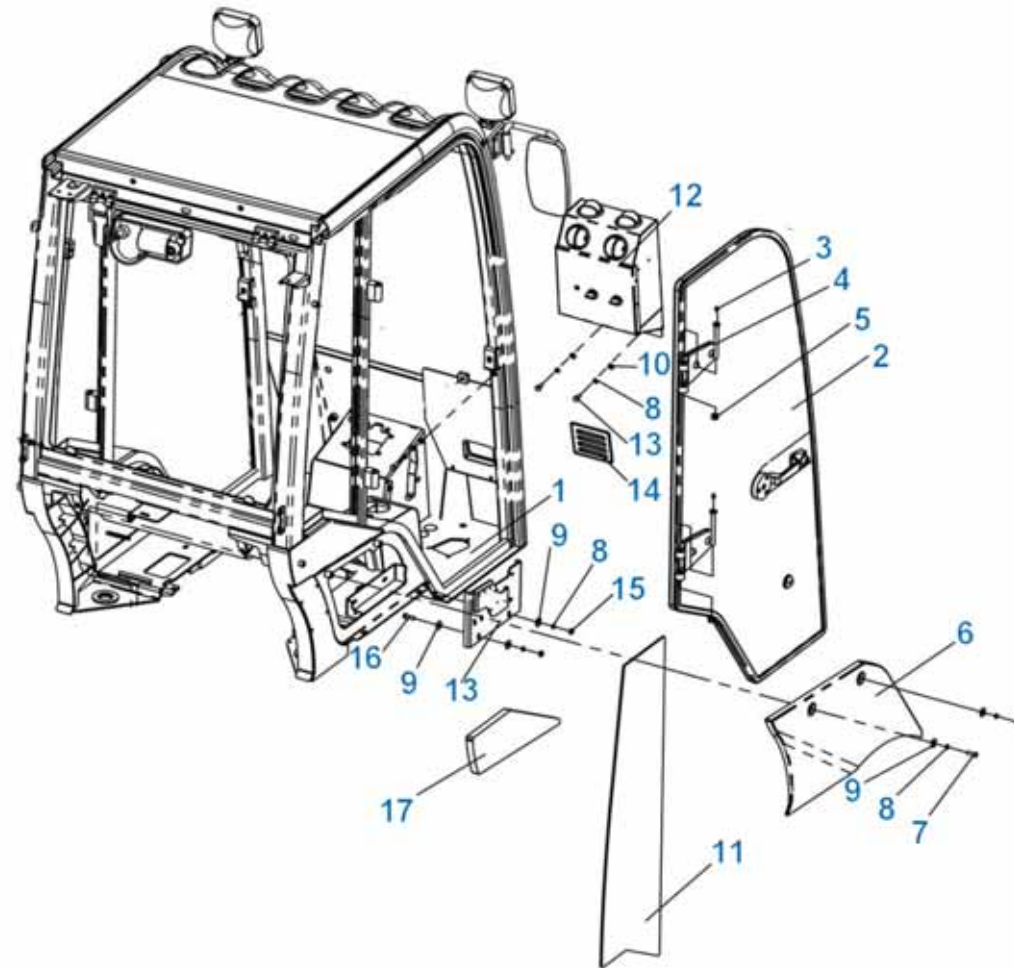
4.10 Cab mounting assembly I



Cab mounting assembly I

Item	Part number	Part name	Qty	Remark
1	810-473000-200	Left door assembly	1	
2	810-470002-300	Rear side window	1	
3	810-440009-000	Air inlet louver	1	
4	zd1430-70sq	Wiper motor assembly	1	
5	000971 000081	Flat washer 8	1	
6	000093 000081	Spring washer 8	3	
7	005783 080201	Hexagonal head bolt M8x20-8.8	1	
8	1140-474009-003	Wiper cover	1	
9	000093 000061	Spring washer 6	1	
10	000702 060121	Hexagon socket button head screws M6x12-8.8	1	
11	810-440300-G00	Cab left side plate	1	
12	000702 080251	Hexagon socket button head screws M8x25-8.8	2	
13	000096 000081	Big washer 8	2	
14	810-441000-300	Bonnet welded parts	1	
15	810-440018-100	Side sound-proof pad	1	
16	J7940P1-006000-00	Oil cup M6	2	
17	1140-470402-003	Hinge pin	2	
18	008891 010001	Non-metal inserts hexagon lock nut	2	

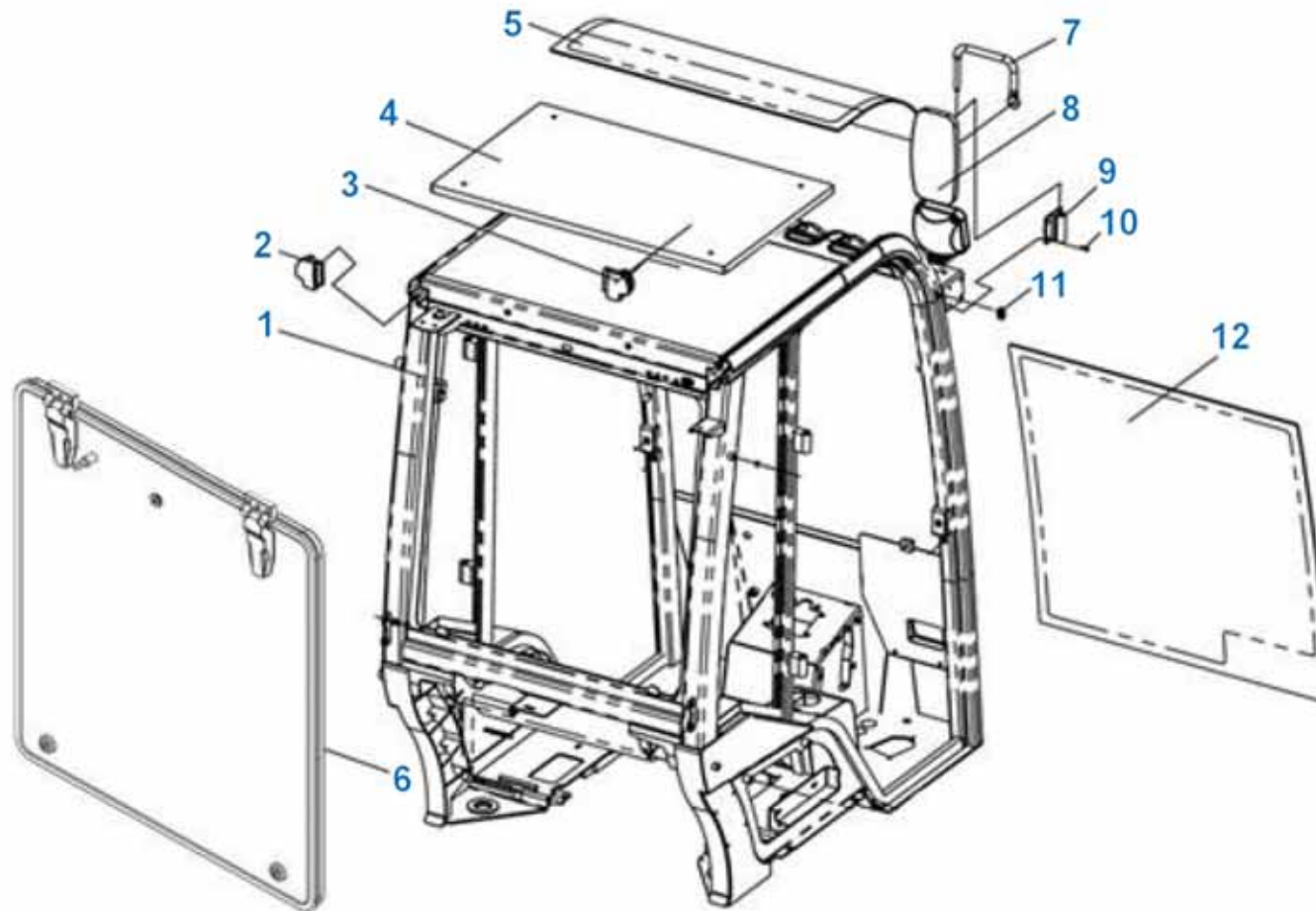
4.11 Cab mounting assembly II



Cab mounting assembly II

Item	Part number	Part name	Qty	Remark
1	810-441000-300	Bonnet assemble and weld parts	1	
2	810-472000-200	Side door assembly	1	
3	J7940P1-006000-00	Oil cup M6	2	
4	1140-470402-003	Hinge pin	2	
5	008891 010001	Non-metal inserts hexagon lock nut	2	
6	810-440100-G00	Cab right side plate	1	
7	000702 080251	Hexagon socket button head screws M8x25-8.8	2	
8	000093 000081	Spring washer 8	4	
9	000096 000081	Big washer 8	4	
10	000971 000081	Flat washer 8	2	
11	810-470002-300	Rear side window	1	
12	zc_asm111219A	Heater (ventilation)	1	
13	005783 080161	Hexagonal head bolt M8x16-8.8	2	
14	HDY-A	Louver style gap	1	
15	006170 008001	Hexagon nut M8-8	2	
16	005783 080252	Hexagon bolt M8x25-10.9	2	
17	810-440018-100	Side sound-proof pad	1	

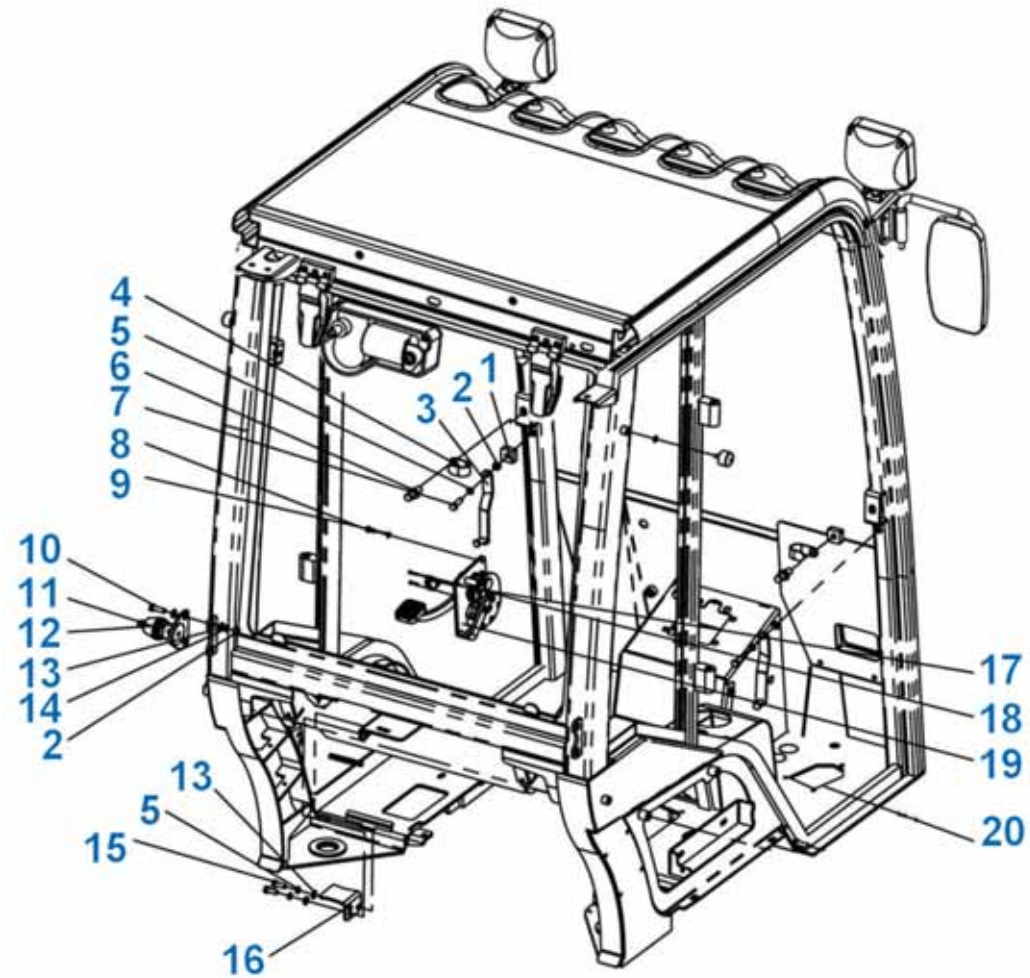
4.12 Cab mounting assembly III



Cab mounting assembly III

Item	Part number	Part name	Qty	Remark
1	810-441000-300	Canopy weld component	1	
2	K30000 540004	Left square tube trim	1	
3	K30000 540008	Right square tube trim	1	
4	810-440016-100	Top sound-proof cotton	1	
5	810-470001-200	Top glass cover	1	
6	810-474000-300	Rear window assembly	1	
7	1230-470005-000	Mirror bracket	2	
8	1230-470300-G00	Mirror	2	
9	1230-470006-000	Mirror support base	2	
10	000702 060161	Hexagon socket button head screws M6x16-8.8	4	
11	K30G00 540005	Headlamp coil	2	
12	810-470003-200	Front windshield	1	

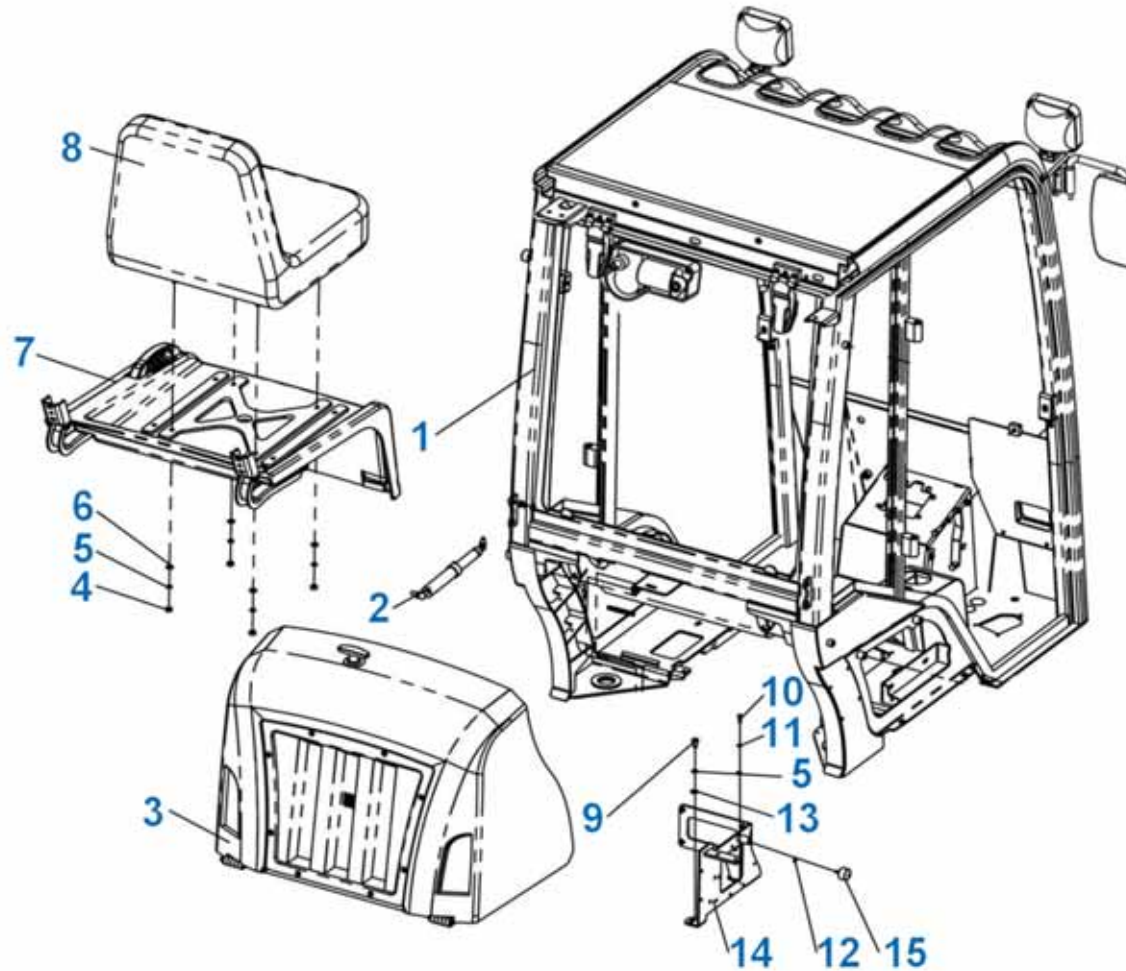
4.13 Cab mounting assembly IV



Cab mounting assembly IV

Item	Part number	Part name	Qty	Remark
1	1230-472007-000	Screw base	2	
2	006170 008001	Hexagon nut M8-8	6	
3	1140-470100-003	Cab left side plate	2	
4	1230-472006-000	Guard board	2	
5	000093 000081	Spring washer 8	4	
6	1230-472009-G00	Door lock spring bolt	2	
7	005783 080252	Hexagonal head bolt M8x25-10.9	2	
8	005783 060121	Hexagonal head bolt M6x12-8.8	2	
9	000093 000061	Spring washer 6	2	
10	005783 080251	Hexagonal head bolt M8x25-8.8	4	
11	1140-440700-003	Door latch assembly	2	
12	810-470005-100	Lock cylinder bracket plate	2	
13		This part has been canceled		
14	000093 000081	Spring washer 8	4	
15		This part has been canceled		
16		This part has been canceled		
17	000818 030161	Cross recess pan head screw M3x16-4.8	2	
18	XV-156-1C25	Micro switch	1	
19	1130-500800-200	Parking brake component	1	
20	810-441000-300	Canopy weld component	1	

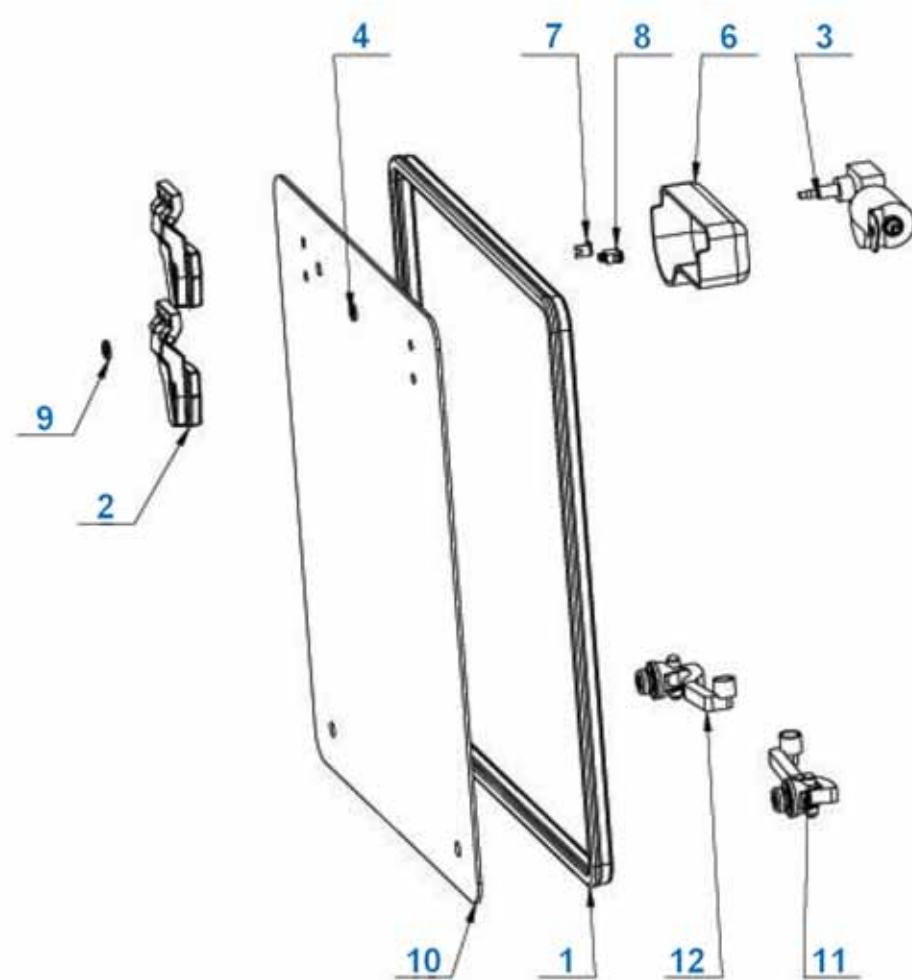
4.14 Cab mounting assembly V



Cab mounting assembly V

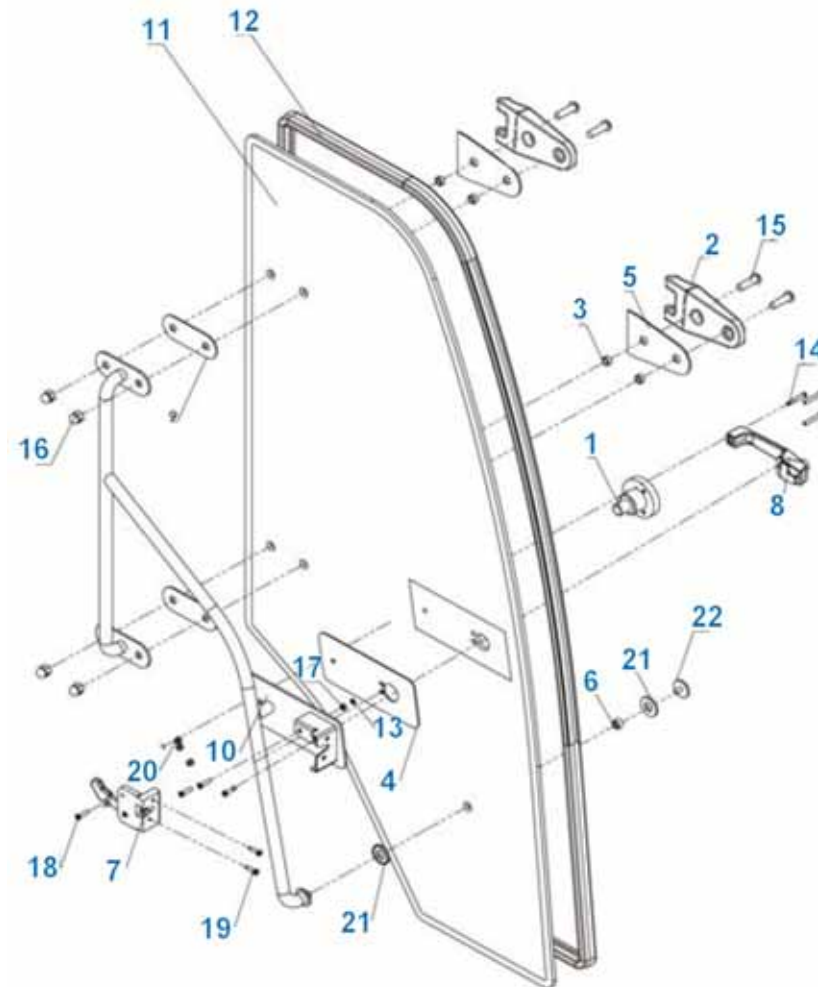
Item	Part number	Part name	Qty	Remark
1	810-441000-100	Canopy weld component	1	
2	810-470400-G00	Air spring L=400	1	
3	810-445000-000	Bonnet assembly	1	
4	006170 008001	Hexagon nut M8-8	4	
5	000093 000081	Spring washer 8	6	
6	000971-000008-00	Washer 8	1	
7	810-442000-100	Bonnet mounting assembly	1	
8	1130-440100-G00	Seat (SC1)	1	
9	005783 080161	Hexagonal head bolt M8x16-8.8	2	
10	000702 060161	Hexagon socket button head screws M6x16-8.8	2	
11	000093 000061	Spring washer 6	2	
12	GB/T6172.1-2000	M6 thin nut	2	
13	000971 000081	Flat washer 8	2	
14	810-440300-000	Mounting bracket component	1	
15	1130-445400-G00	Shock pad assembly	3	

4.15 Rear window assembly



Rear window assembly				
Item	Part number	Part name	Qty	Remark
1	810-474003-100	Seal	1	
2	K30G00 585300	Rear window hinge assembly	2	
3	1140-474011-G00	Rear wiper (ZD1430-009W)	1	
4	1230-472003-000	Rubber pad	1	
5	810-474008-100	Wiper rubber pad	1	
6	1140-474009-003	Wiper cover	1	
7	1140-474010-003	Fixed plate	1	
8	KEL-601A204	Switch	1	
9	1230-472005-000	Gasket	1	
10	810-470004-300	Rear window	1	
11	DS542-2L	Rear window handle	1	
12	DS542-2R	Rear window handle	1	

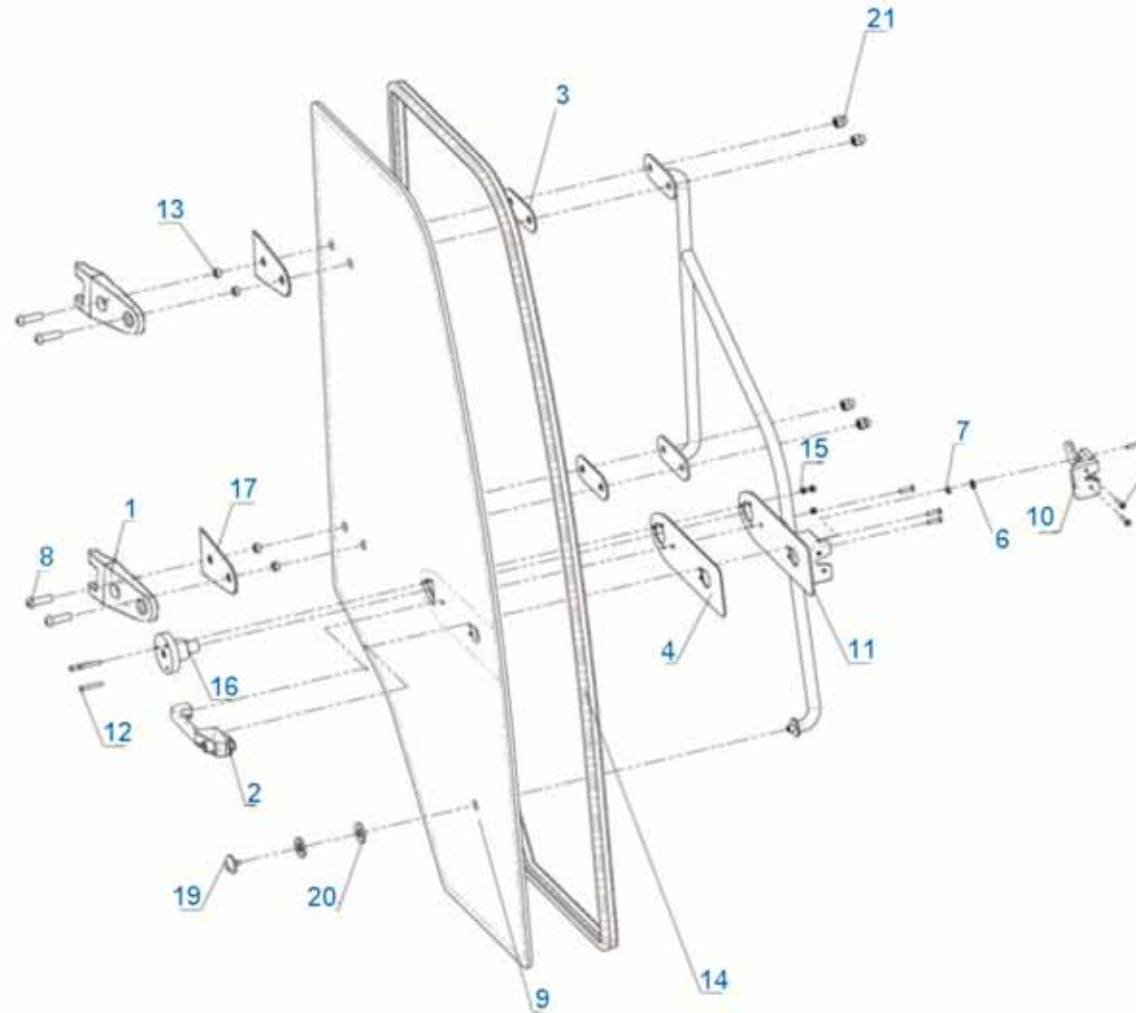
4.16 Left door assembly



Left door assembly

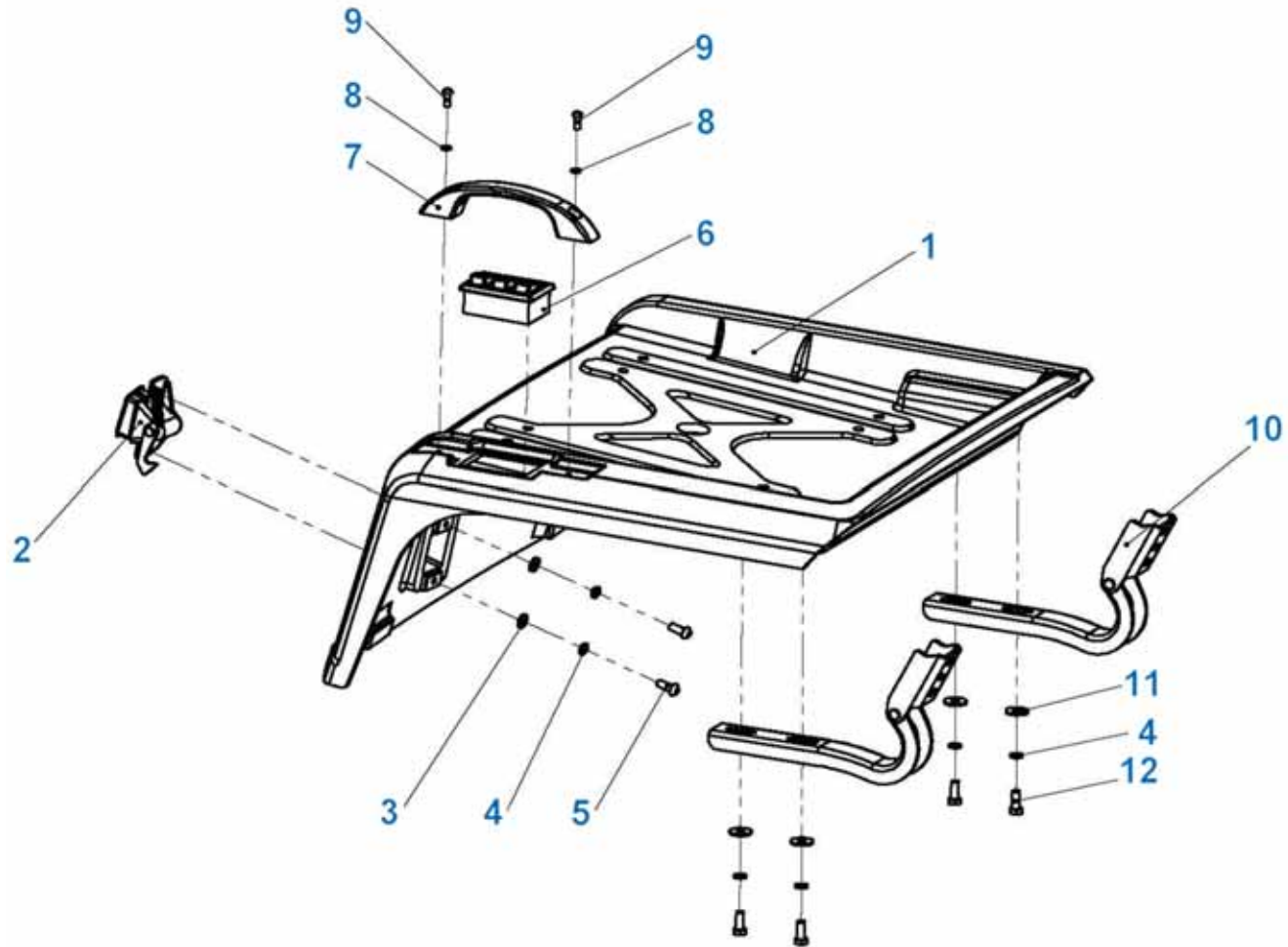
Item	Part number	Part name	Qty	Remark
1	1140-440600-003	Door latch assembly	1	
2	850-470501-200	Hinge plate assembly	2	
3	850-472005-200	Nylon sleeve	4	
4	1140-472004-003	Rubber pad	1	
5	1140-472005-003	Cab hinge rubber pad	2	
6	1140-472006-003	Sleeve 2	1	
7	1230-470601-G00	Left lock	1	
8	1230-470602-G00	Handle parts	1	
9	1230-472002-000	Rubber pad	2	
10	1230-473100-500	Left door lock fixed plate assembly	1	
11	810-472001-200	Side door glass	1	
12	810-473001-200	Seal strip	1	
13	GT00093-000006-00	Spring washer 6	1	
14	GT00702-006040-00	Hexagon socket button head screws M6x40	3	
15	GT00702-012045-00	Hexagon socket button head screws M12x45	4	
16	GT00923-000012-00	Acorn nut M12	4	
17	GT06170-000006-00	Hexagon nut M6-8	1	
18	GT08191-006025-00	M6x25-4.8 cross recessed countersunk head screw	4	
19	GT819P2-006020-00	M6x20 cross recessed countersunk head screw	2	
20	GT889P1-000006-00	Type 1 non-metallic insert hexagonal lock nut M6	3	
21	K30G00 580302	Fixed glass rubber pad	2	
22	K30G00 585202	Glass fixed bolt	1	

4.17 Right door assembly



Right door assembly				
Item	Part number	Part name	Qty	Remark
1	850-470501-200	Hinge plate assembly	2	
2	1230-470602-G00	Handle parts	1	
3	1230-472002-000	Rubber pad	2	
4	1140-472004-003	Rubber pad	1	
5	000819 060251	M6x25-4.8 cross recessed countersunk head screw	6	
6	GT00093-000006-00	Spring washer 6	1	
7	GT06170-000006-00	Hexagon nut M6-8	1	
8	GT00702-012045-00	Hexagon socket button head screws M12x45	4	
9	810-472001-200	Side door glass	1	
10	1230-470603-G00	Right lock	1	
11	1230-472100-500	Right door fixed plate assembly	1	
12	GT00702-006040-00	Hexagon socket button head screws M6x40	3	
13	850-472005-200	Nylon sleeve	4	
14	810-472008-200	Seal strip	1	
15	GT889P1-000006-00	Type 1 nonmetal inserts hexagon lock nut M6	3	
16	1140-440600-003	Latch base assembly	1	
17	1140-472005-003	Cab hinge rubber pad	2	
18	K30G00 585202	Glass fixed bolt	1	
19	000971 000061	Flat washer 6	4	
20	K30G00 580302	Fixed glass rubber pad	2	
21	GT00923-000012-00	Acorn nut M12	4	

4.18 Bonnet mounting assembly

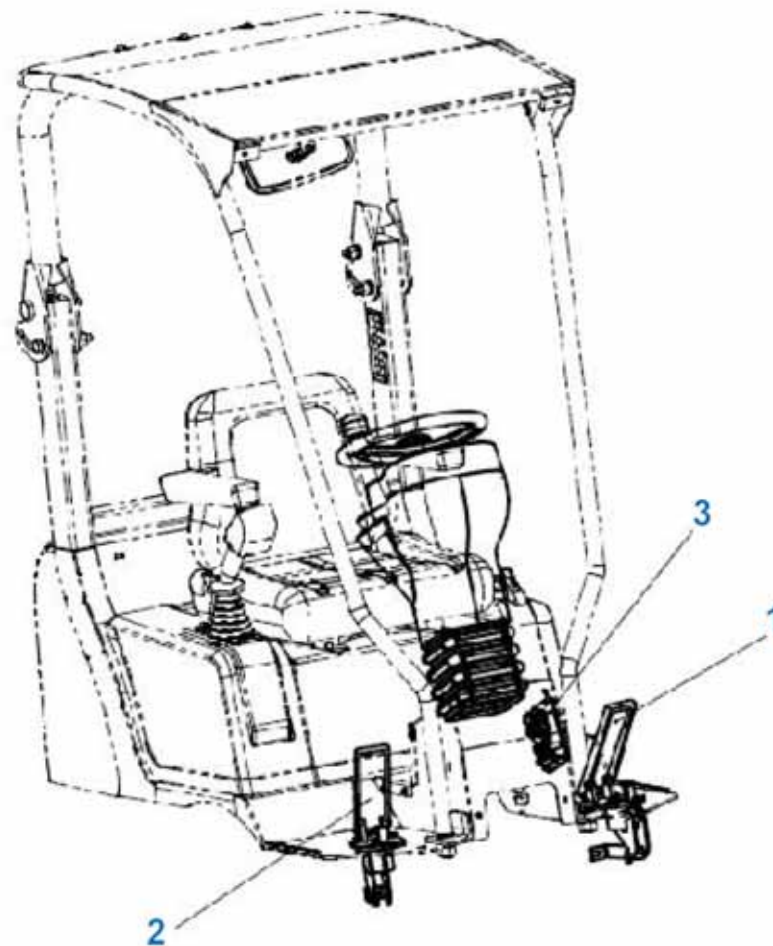


Bonnet mounting assembly

Item	Part number	Part name	Qty	Remark
1	810-442001-100	Engine bonnet	1	
2	810-442100-000	Bonnet lock assembly	1	
3	000971 000081	Flat washer 8	2	
4	GT00093-000008-00	Spring washer 8	6	
5	000702 080201	Hexagon socket button head screws M8x20-8.8	2	
6	1230-701400-G00	Three way rocker switch	1	
7	E25G00 520006	Battery box handle	1	
8	GT00093-000006-00	Spring washer 6	2	
9	GT070P2-006016-00	Hexagon socket button head screws M6x16-8.8	2	
10	810-449000-000	Bonnet hinge assembly	2	
11	GT00096-000008-00	Big washer 8	4	
12	005783-008020-00	Hexagonal head bolt M8x20-8.8	4	

5. OPERATE SYSTEM

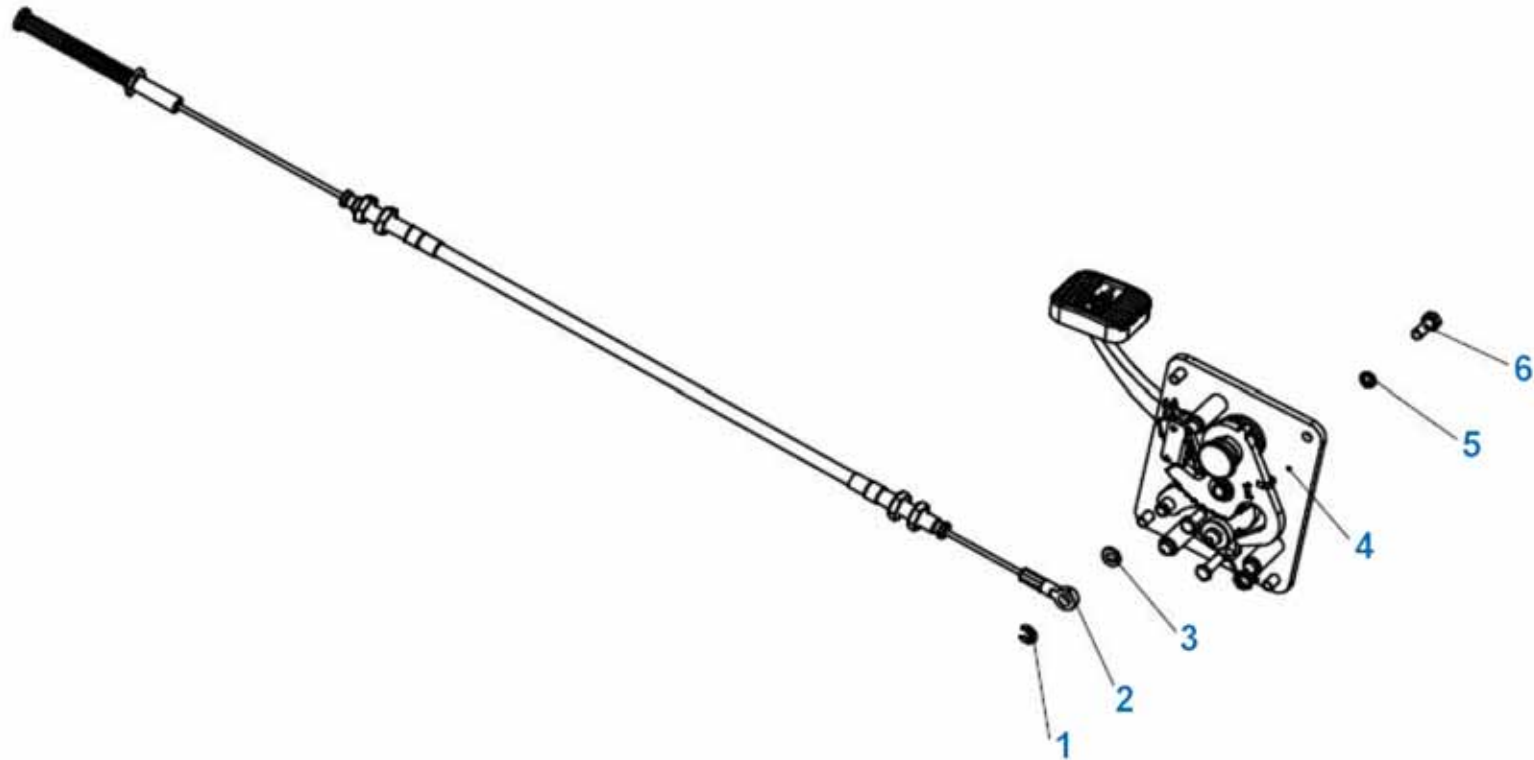
5.1 Operate System assembly



Operate System assembly

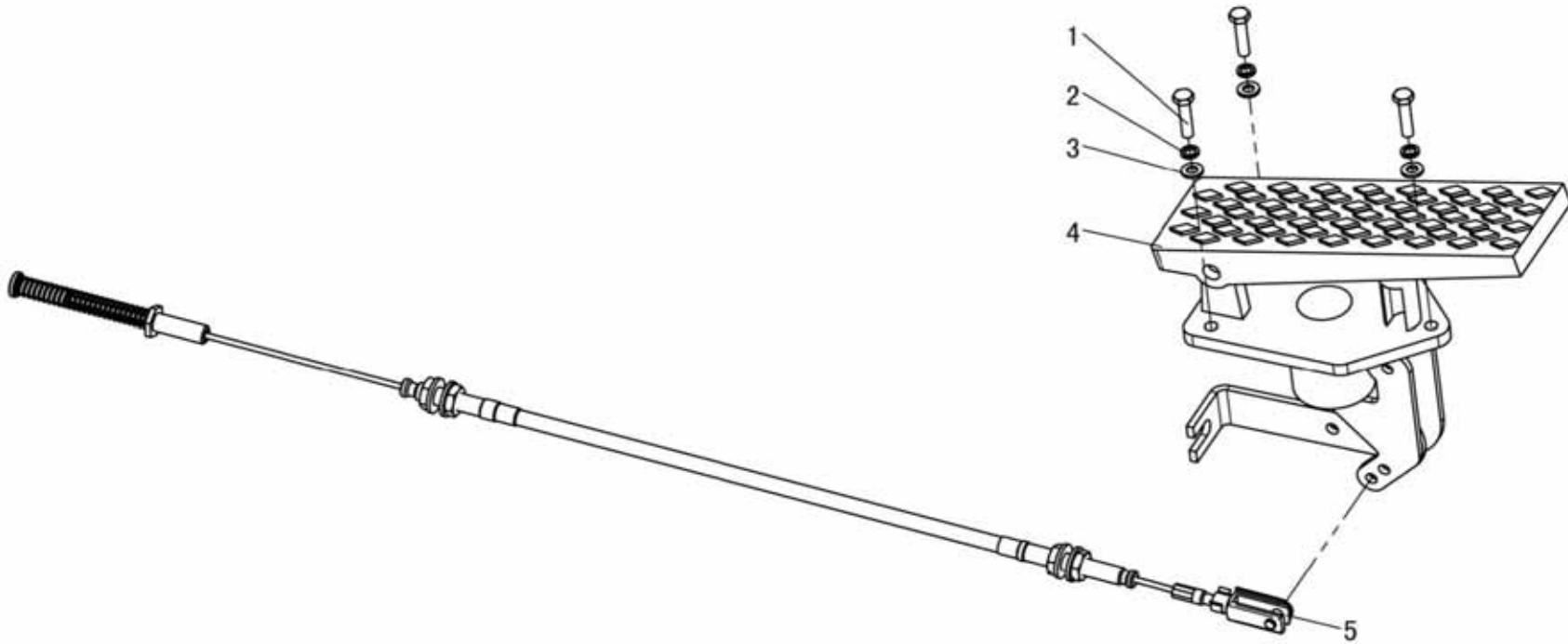
Item	Part number	Part name	Qty	Remark
1	1130-500300-G00	Inching operate	1	
2	1130-300100-000	Inching operate (foot brake)	1	
3	1130-100600-G10	Parking brake	1	
4	810-500300-000	Foot brake	1	

5.2 Parking brake



Parking brake				
Item	Part number	Part name	Qty	Remark
1	000896 000061	Split washer 6	1	
2	1130-100600-G10	Parking brake	1	
3	000971-000006-00	Flat washer 6	1	
4	1130-500800-200	Park brake assembly	1	
5	000971-000006-00	Flat washer 6	4	
6	005783-006016-00	Hexagonal head bolt M6x16-8.8	4	

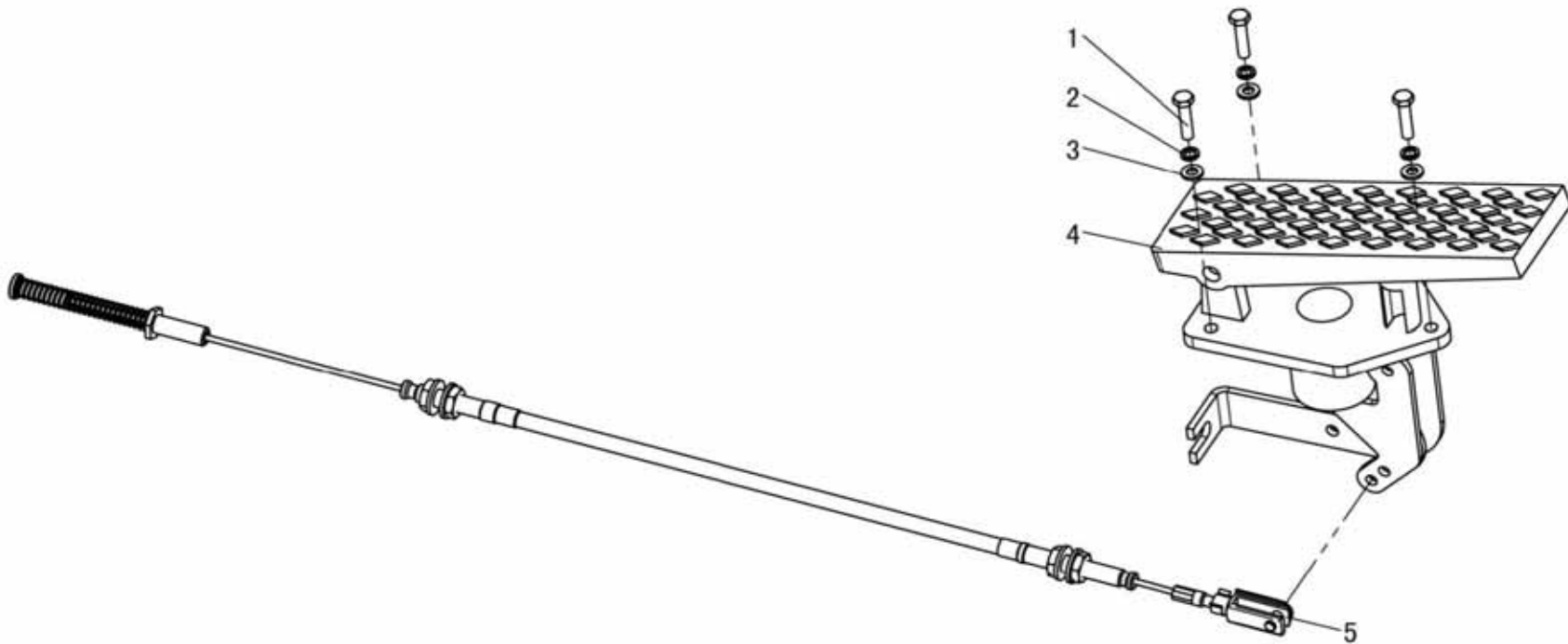
5.3 Accelerator operate



Accelerator operate

Item	Part number	Part name	Qty	Remark
1	005783-006025-00	Bolt M6x25	3	
2	GT00093-000006-00	Washer 6	3	
3	000971-000006-00	Washer 6	3	
4	1130-300100-000	Accelerator pedal component	1	
5	1130-360100-000	Accelerator cable assembly	1	

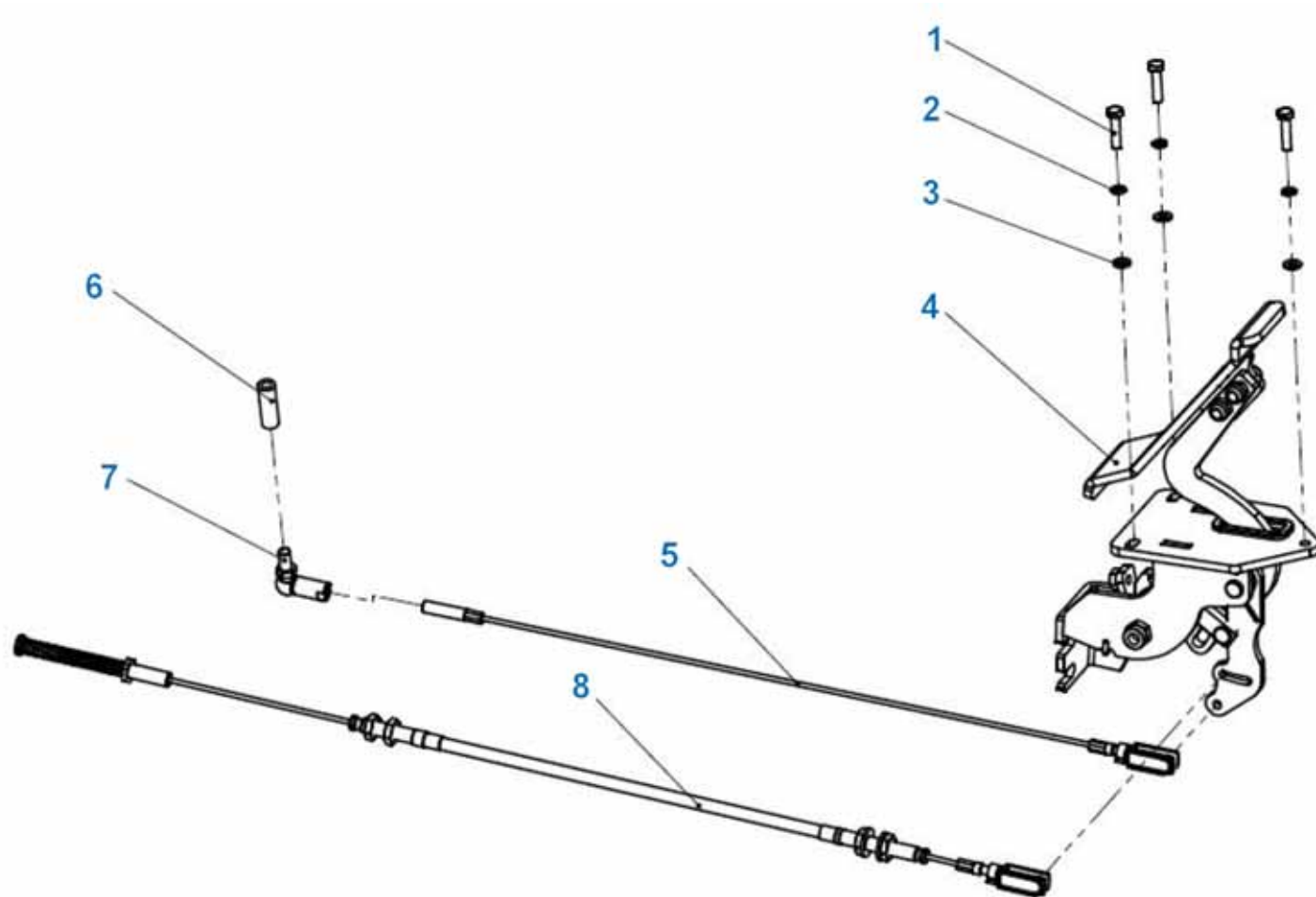
5.4 Inching operate



Inching operate list

Item	Part number	Part name	Qty	Remark
1	005783-006025-00	Bolt M6x25	3	
2	GT00093-000006-00	Washer 6	3	
3	000971-000006-00	Washer 6	3	
4	1130-300200-000	Inching pedal component	1	
5	1130-500300-G00	Inching cable assembly	1	

5.5 Inching operate (foot brake)

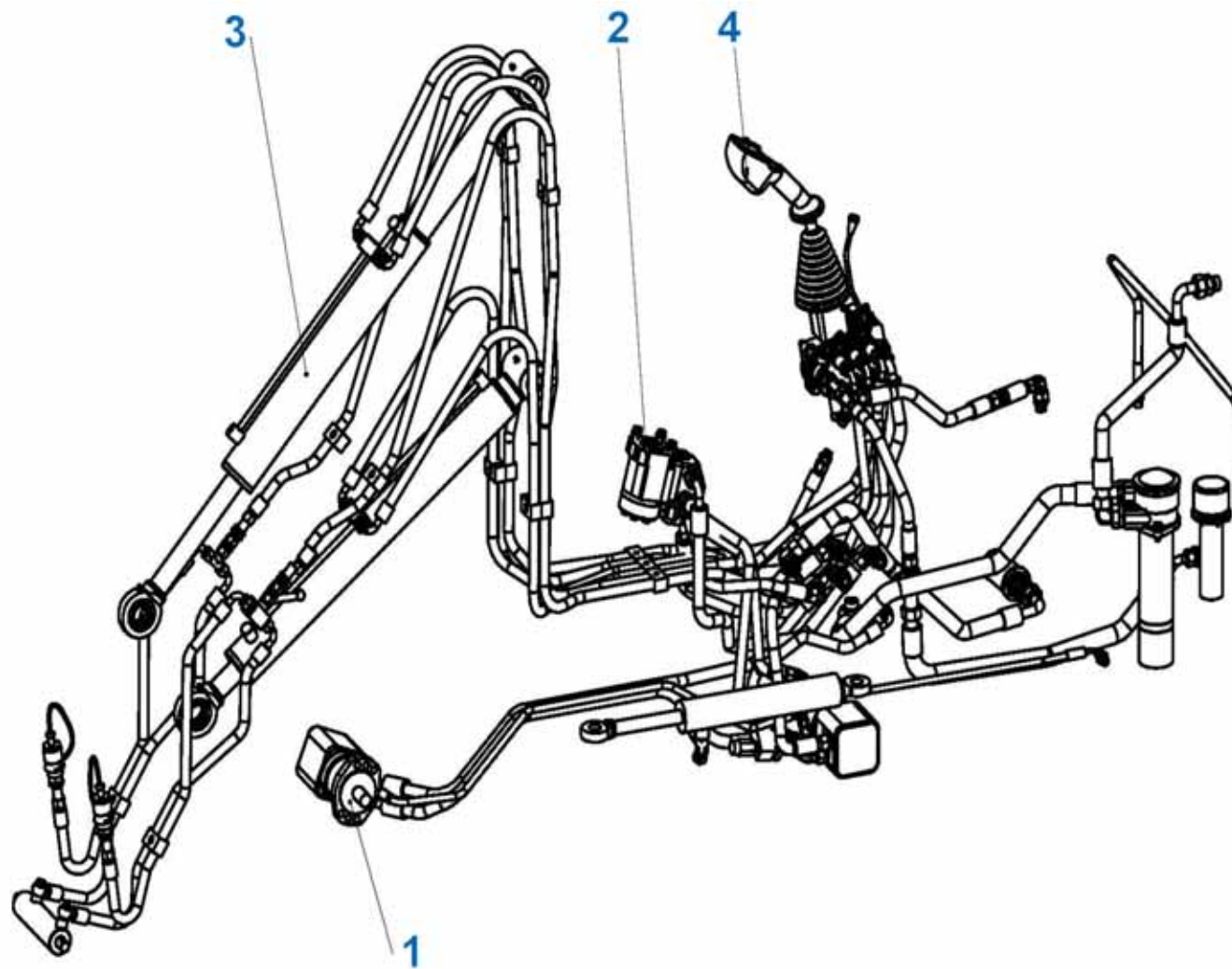


Inching operate (foot brake) list

Item	Part number	Part name	Qty	Remark
1	005783-006025-00	Bolt M6x25	3	
2	GT00093-000006-00	Washer 6	3	
3	000971-000006-00	Washer 6	3	
4	1230-500300-000	1230 Foot brake (cable)	1	
5	1130-500300-G10	Inching brake (foot brake)	1	
6	1130-100011-000	Coupling shaft	1	
7	1130-100240-G10	Ball headed knuckle bearing SQP 8 S	1	
8	1130-100900-G10	1130 foot brake cable assembly	1	

6. HYDRAULIC SYSTEM

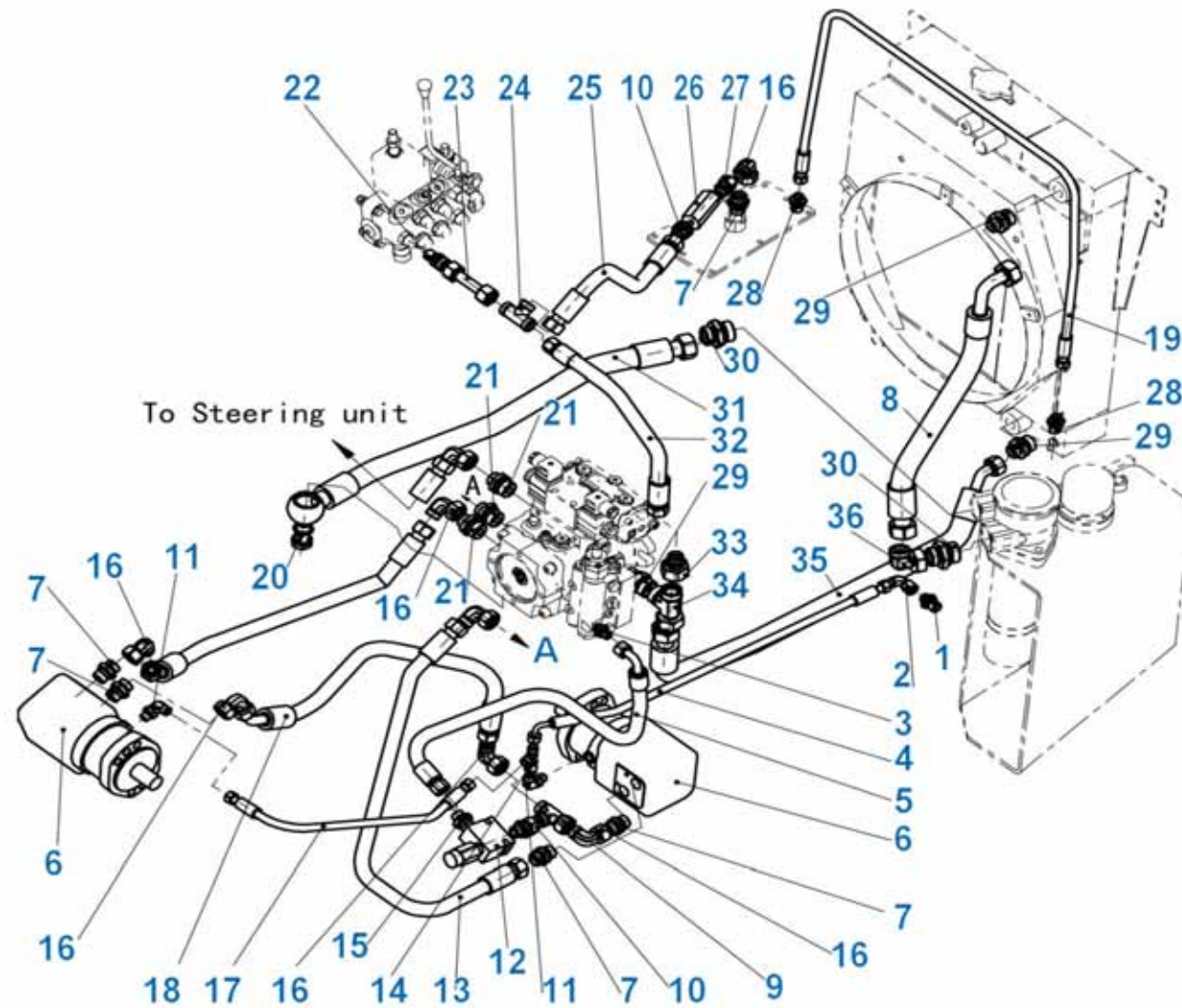
6.1 Hydraulic system assembly



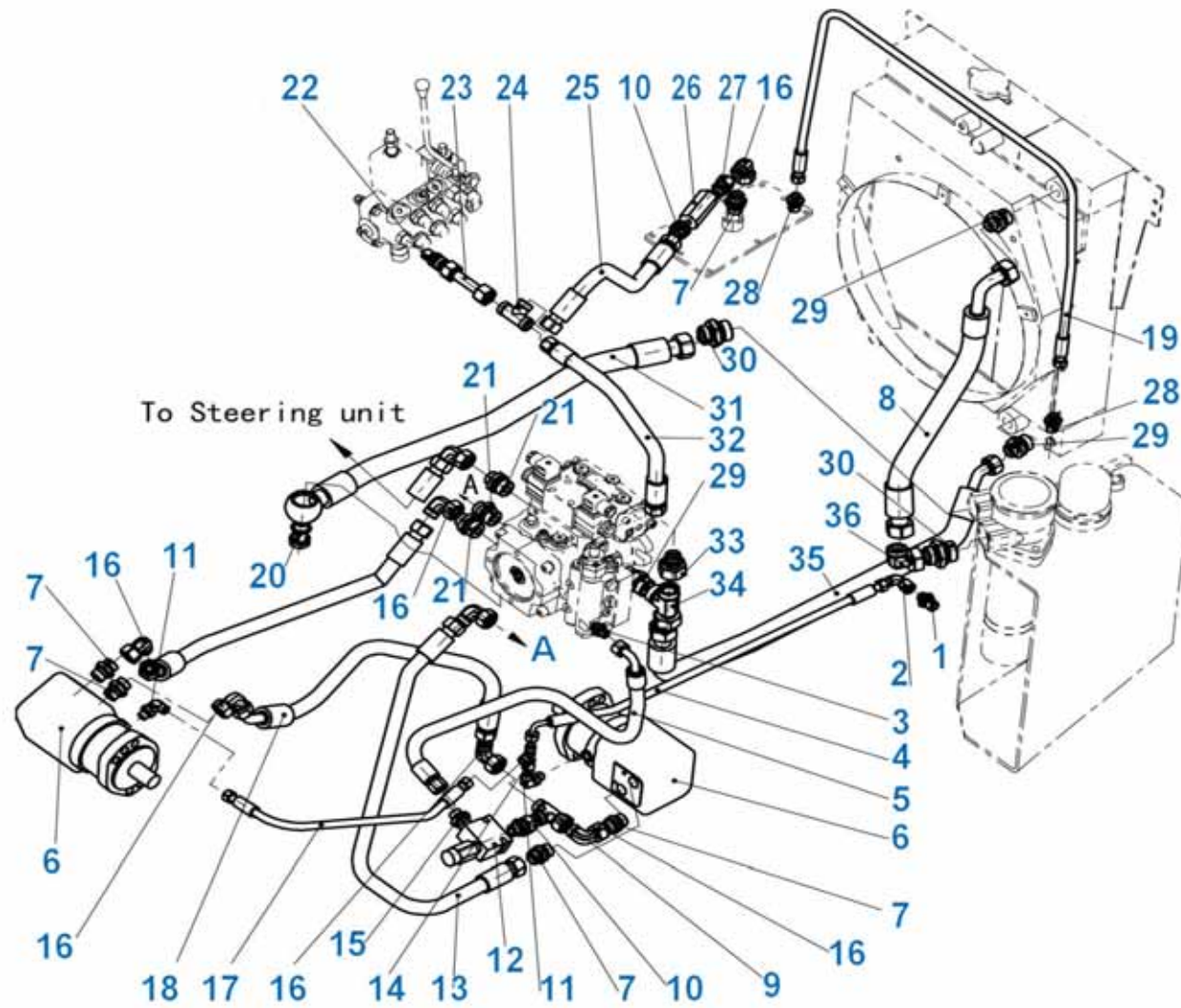
Hydraulic system assembly

Item	Part number	Part name	Qty	Remark
1	E-1	Hydraulic system(plunger pump-motor)	1	
2	E-2	Hydraulic system(steering gear)	1	
3	E-3	Hydraulic system(multitandem valve)	1	
4	E-4	Multitandem valve component	1	

6.2 Plunger pump-motor



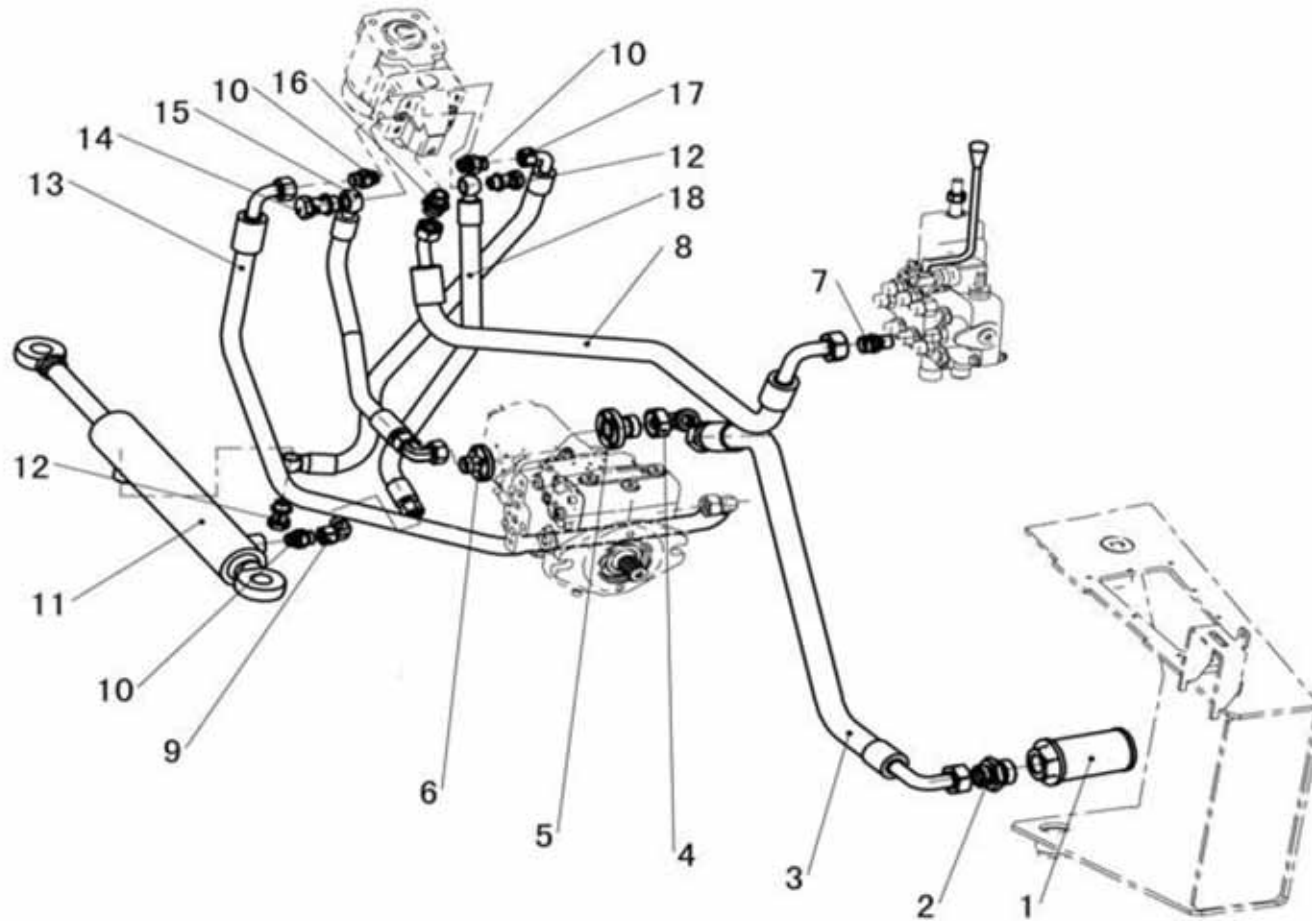
Plunger pump-motor				
Item	Part number	Part name	Qty	Remark
1	1130-622900-G00	Straight connector	1	Q-GE08L G3/8 ED
2		Right-angle connector	2	Q-EW08L M14X1.5
3	1130-620600-G00	Right-angle connector	1	Q-GE12L G1/4 ED
4	1020-611100-G00	Hose assembly	1	
5	1130-610700-G01	Hose assembly	1	
6	1130-100900-G00	Hydraulic motor	2	BMSY230-F6-S1-D-B
7	1130-620400-G00	Straight connector	3	Q-15L G1/2 ED
8	1130-613000-G00	Hose assembly	1	
9	1130-621900-G00	T-junction connector	1	Q-EL15L M22X1.5
10	1130-624000-G00	straight connector	2	S2GC-08-22
11	1130-622200-G00	Right-angle connector	1	Q-WEE08L G1/2 OR
12	1130-621700-G00	Safety valve	1	
13	1130-610600-G00	Hose assembly	1	
14	1130-622300-G00	T-junction connector	1	Q-EL08L M14X1.5
15	1130-624300-G00	Straight connector	1	Q-GE12L G1/2 ED
16	1130-622000-G00	Right-angle connector	6	Q-EW15L M22X1.5
17	1020-611000-G00	Hose assembly	1	
18	1020-610800-G00	Hose assembly	1	
19	1130-612600-G00	Hose assembly	1	
20	1130-623700-G00	G3/4 reamer bolt component	1	
21	1130-620100-G00	Straight connector	3	Q-GE15L G3/4 ED
22	1130-623200-G00	Straight connector	2	Q-GE15L G3/8 ED
23	1130-624200-G00	15 steel tubeX90+two ends sleeve	1	
24	1130-621300-G00	T-junction connector	1	Q-T15L
25	1020-612800-G01	Hose assembly	1	



Plunger pump-motor

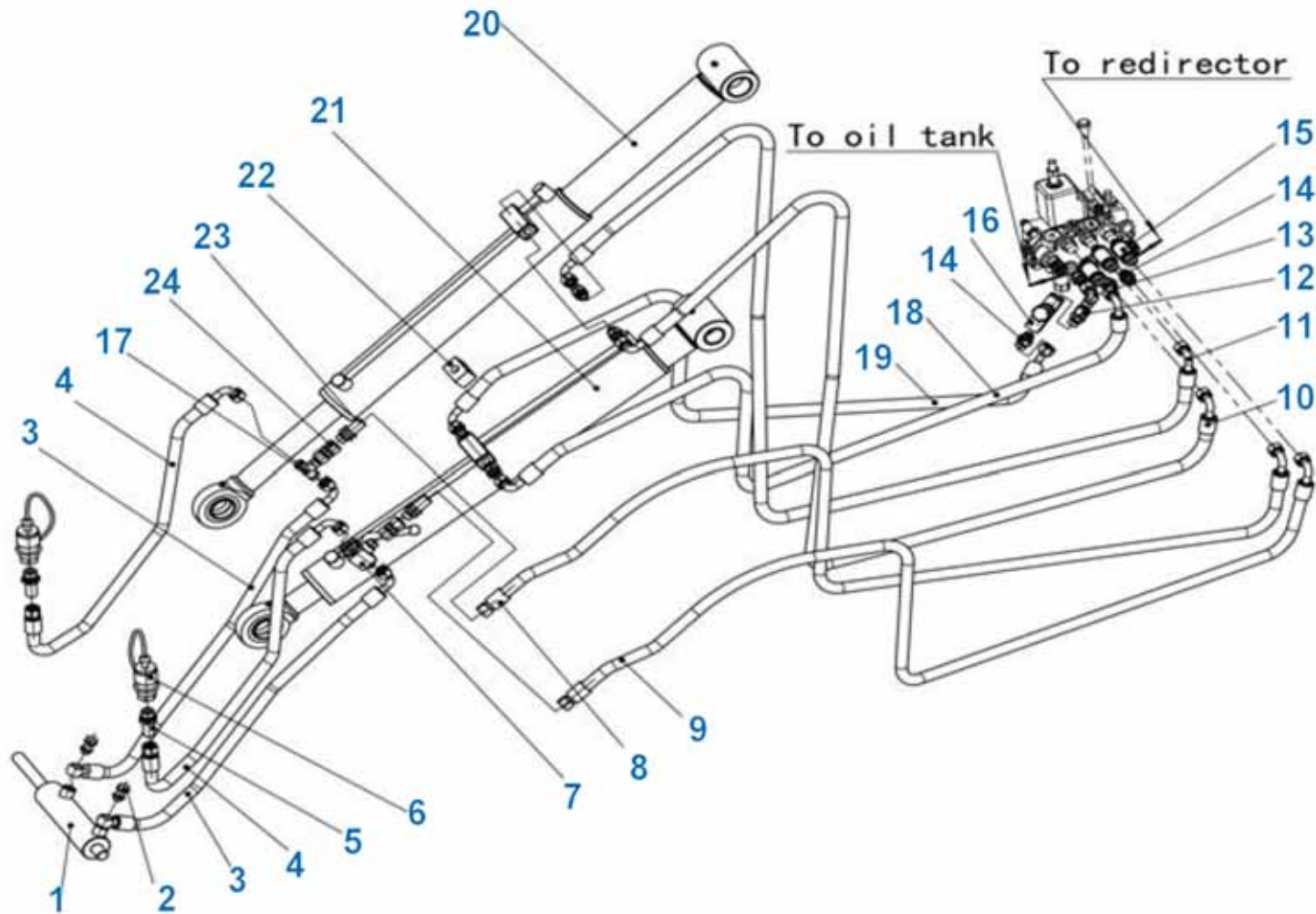
Item	Part number	Part name	Qty	Remark
26	1130-620002-G00	Check valve	1	
27	S2GC-06-18	Right-angle connector	1	
28	Q-EW22L M30X2	Right-angle connector	2	Q-GE08L G3/8 ED
29	1130-623600-G00	Straight connector	3	Q-GE22L G3/4 ED
30	1130-620500-G00	Straight connector	1	S2C-22-30
31	1130-610301-G01	Hose assembly	1	
32	1130-612801-G01	Hose assembly	1	
33	Q-EG15L M30X2 RN	Straight connector	1	
34	Q-ET22L M30X2	Right-angle connector	1	
35	1130-612900-G01	Hose assembly	1	
36	Q-EW22L M30X2	Right-angle connector	1	
37	1130-613000-G00	Hose assembly	1	

6.3 Steering gear

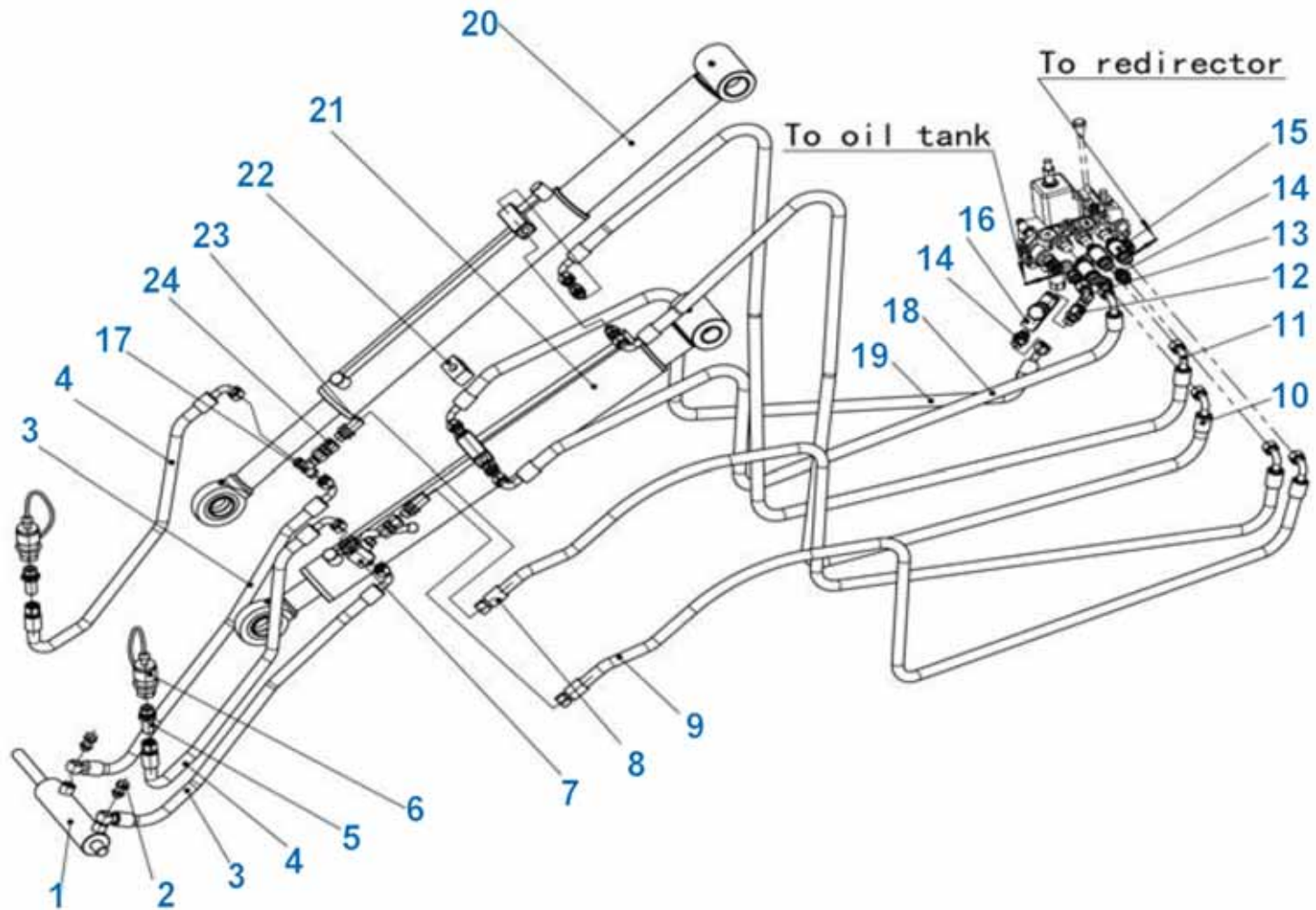


Steering gear				
Item	Part number	Part name	Qty	Remark
1	1130-600600-G00	Gear pump oil absorption filter	1	
2	1130-620400-G00	Straight connector	1	Q-15L G1/2 ED
3	1020-612800-G01	Hose assembly	1	
4	1130-621500-G00	Right-angle connector	1	Q-EW22L M30X2
5	1130-600101-000	Connector	1	
6	1130-600201-000	Connector	1	
7	1130-623200-G00	Straight connector	1	
8	1130-611200-G00	Hose assembly	1	
9		Right-angle connector	1	Q-EW12L M18X1.5
10	1130-622400-G00	Right-angle connector	1	Q-GE12L G3/8 ED
11	1130-201000-G00	Steering cylinder component	1	
12	1130-623400-G00	G3/8 reamer bolt component	1	
13	1130-611300-G00	Hose assembly	1	
14	1130-623500-G00	G1/2 reamer bolt component	1	
15	1020-611400-G00	Hose assembly	1	
16	1130-620400-G00	Straight connector	1	Q-15L G1/2 ED
17	1020-611500-G01	Hose assembly	1	
18	1130-611700-G00	Hose assembly	1	
19	1130-200200-G00	Steering gear	1	101S-5-100-15-HC

6.4 Multitandem valve

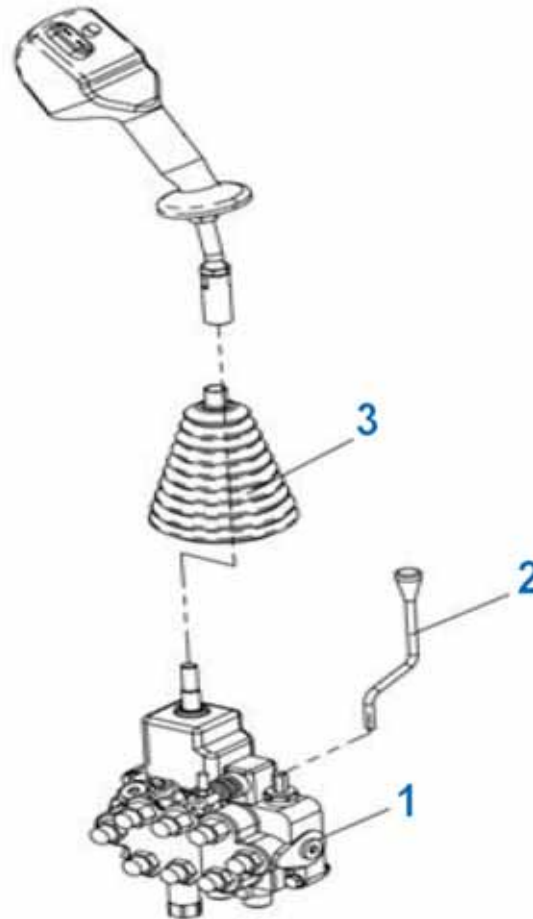


Multitandem valve				
Item	Part number	Part name	Qty	Remark
1	1130-438000-G01	Lock cylinder assembly	1	
2	1130-623300-G00	G1/4 reamer bolt component	2	
3	1130-613200-G01	Hose assembly	2	
4	1130-613300-G01	Hose assembly	2	
5	810-624600-G00	M18x1.5-G1/2plate-joint	2	
6	1130-621200-G00	Quick coupling	2	
7	1130-620011-G00	Two position three way valve	1	
8	1020-611900-G51	Hose assembly	1	
9	1020-611800-G51	Hose assembly	1	
10	1020-612200-G51	Hose assembly	1	
11	1020-612500-G51	Hose assembly	1	
12	1130-624100-G00	Straight connector	1	Q-GE12L G3/8 ED
13		Right-angle connector	1	Q-EW12L M18x1.5
14	1130-622400-G00	Straight connector	4	Q-GE12L G3/8 ED
15	1130-624500-G00	Straight connector	3	
16	1130-620001-G00	Throttle valve	1	
17	1130-613100-G00	T-junction connector	1	Q-T12L
18	1020-612200-G51	Hose assembly	1	
19	1020-612300-G51	Hose assembly	1	
20	1130-437000-G53	Lengthen tilting cylinder component	1	
21	1130-436000-G52	Lengthen lifting cylinder component	1	
22	1130-600002-G00	Clamp	13	
23		Straight connector	2	Q-GSV12L



Multitandem valve				
Item	Part number	Part name	Qty	Remark
24	1130-622500-G00	Straight connector	2	
-	1130-611800-G02	Hose assembly	1	Four way valved model
-	1130-611900-G02	Hose assembly	1	Four way valved model
-	810-613300-G62	Hose assembly	1	
-	1020-612300-G51	Hose assembly	2	Two position six way valve
-	1020-612200-G51	Hose assembly	1	Two position six way valve
-	810-612500-G61	Hose assembly	1	Two position six way valve
-	DCE50-G038-TA6/10N-D12K1	Two position six way valve	1	Two position six way valve
-	810-612400-G61	Hose assembly	1	Two position six way valve
-	810-613400-G69	Hose assembly	2	
-	810-613200-G62	Hose assembly	1	
-	810-613510-G69	Hose assembly	1	
-	810-613300-G62	Hose assembly	1	
-	1020-611800-G69	Hose assembly	1	
-	810-613200-G62	Hose assembly	1	
-	810-613520-G69	Hose assembly	1	

6.5 Multitandem valve component

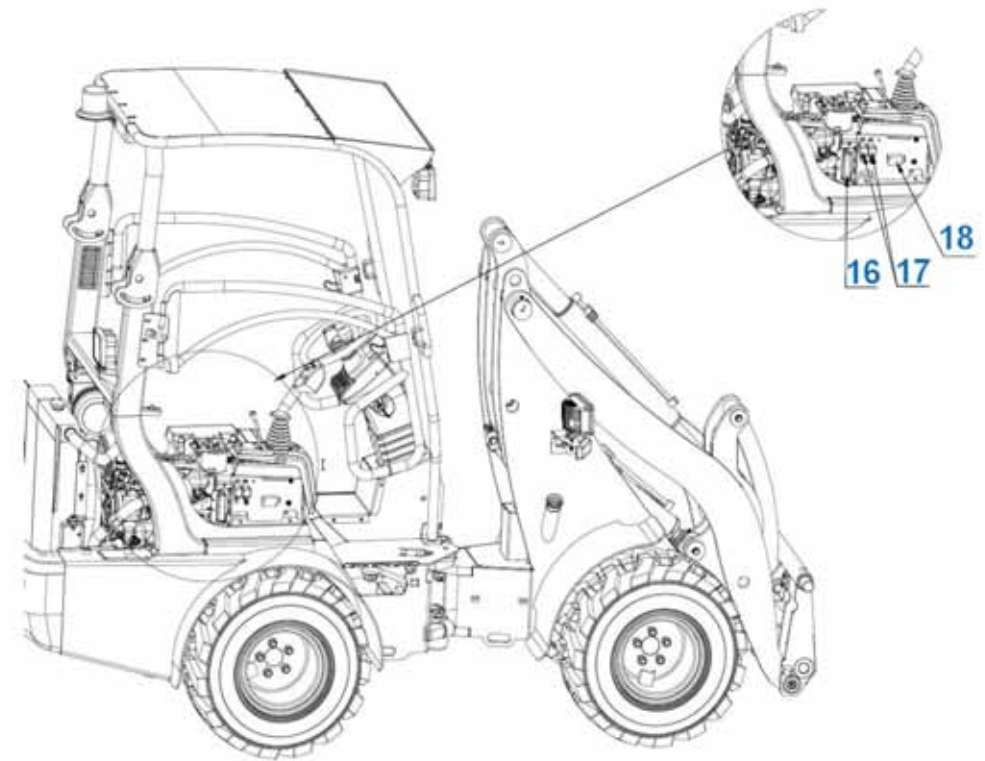
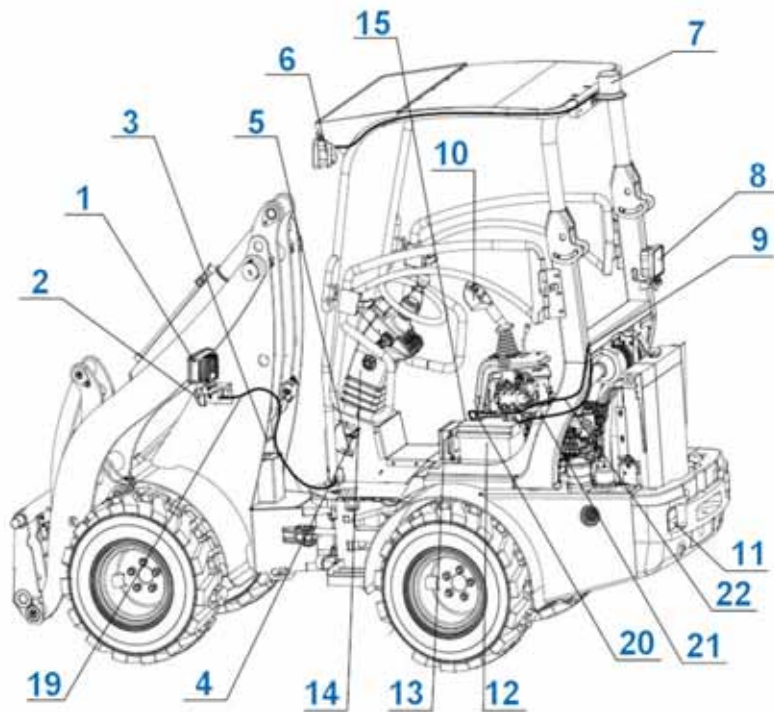


Multitandem valve component

Item	Part number	Part name	Qty	Remark
1	1130-600500-G01	Multitandem valve component assembly	1	
-	1130-600500-G10	Multitandem valve component assembly (four way valve)	1	
2	810-600520-000	Handle	1	
3	1230-600009-G00	Main handle cover	1	

7. ELECTRIC SYSTEM

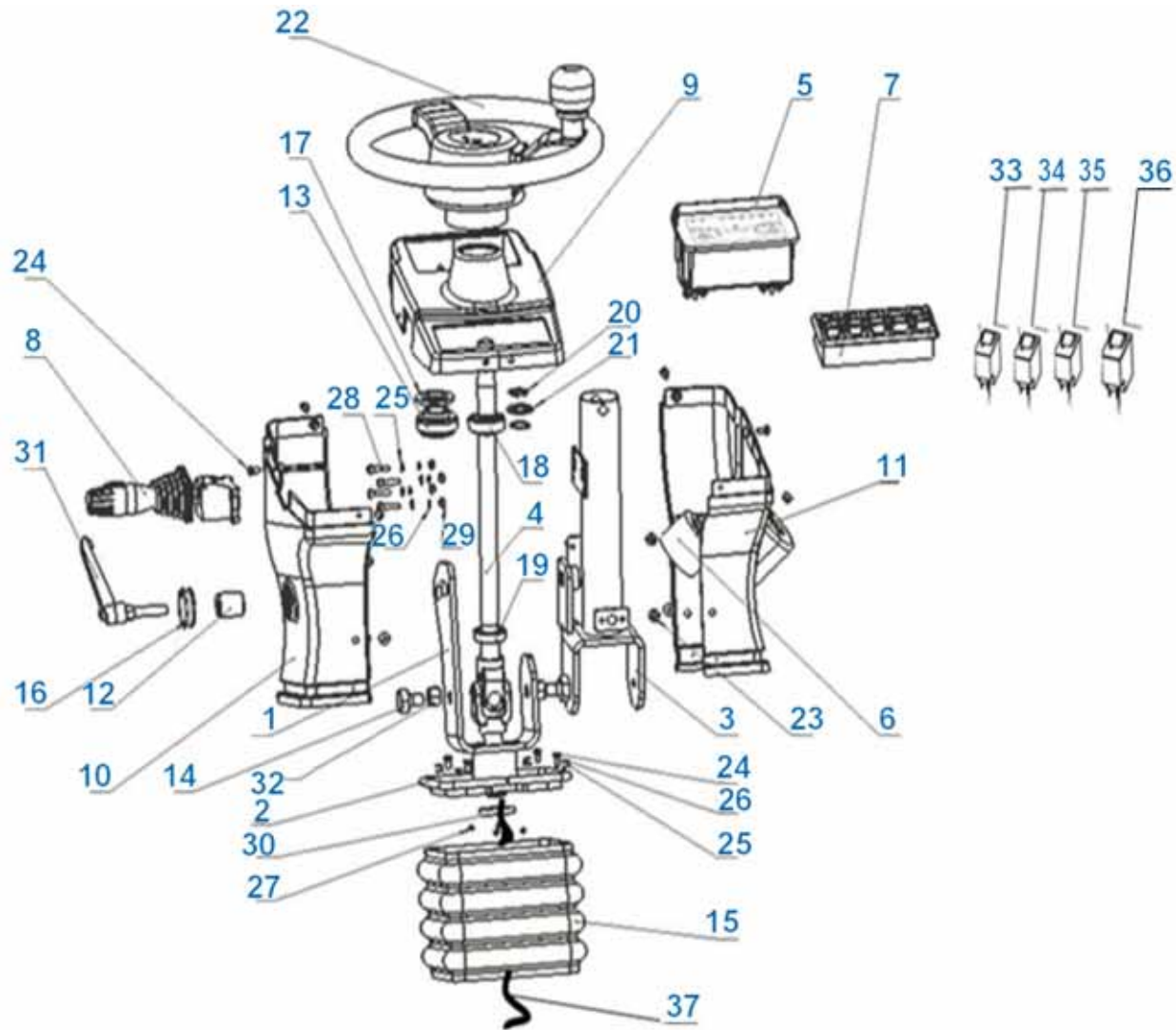
7.1 Electric system installation



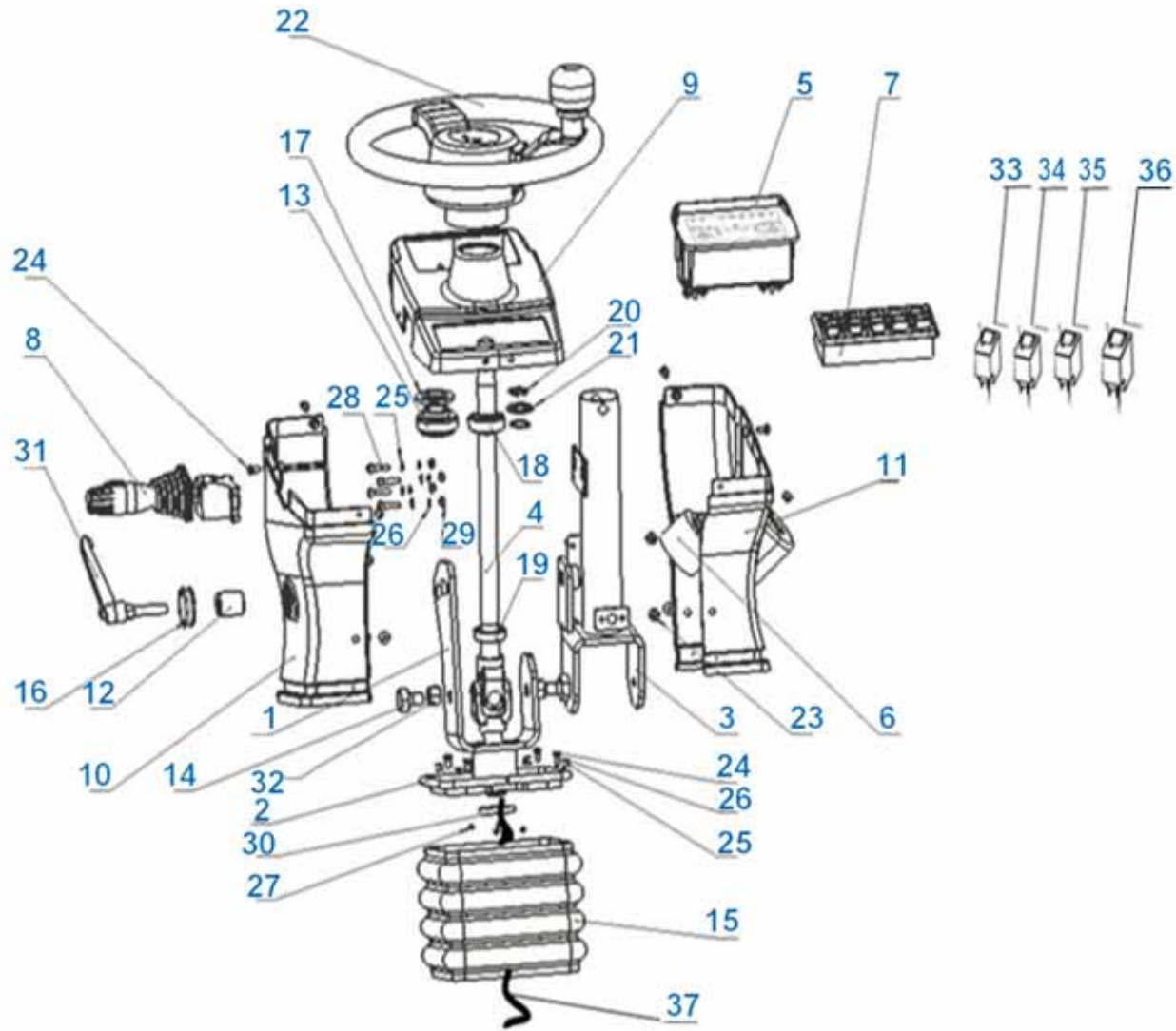
Electric system installation

Item	Part number	Part name	Qty	Remark
1	1130-504500-000	Front combination lamp component		5045S
2	1130-700008-G00	Width steering light		
3	1130-701500-G01	Fuel level sensor		
4	XV-156-1C25	Position limit switch		
5	1130-701100-G00	Horn		
6	1130-921000-000	Working lamp		
7	1130-922000-000	Beacon		TPF01
8	1130-921000-000	Rear working lamp		
9	1130-701900-G00	Main power switch		
10	1130-720000-010	Operating handle		
	1130-720000-020	Operating handle		Two-position six-way valve
11	1130-700900-G00	Rear lamp component		
	1130-700600-G00	Rear lamp component		
12	1130-703000-G50	Battery		L2-400
13	1130-700900-G10	Control box (12V-40)		
14	810-710000-200	Dashboard		
15		This part has been canceled		
16	1130-701800-G00	6 way fuse box		
	1130-701700-G00	Relay		
17	1130-701200-G00	Insert plug fuse		
18	810-701800-005	Half main wiring harness		
19	810-701800-006	All main wiring harness		
20	1130-700700-G00	Battery positive wire component		
21	1130-700800-G00	Battery negative wire component		
22	1130-700800-G01	Battery negative wire		

7.2 Dashboard



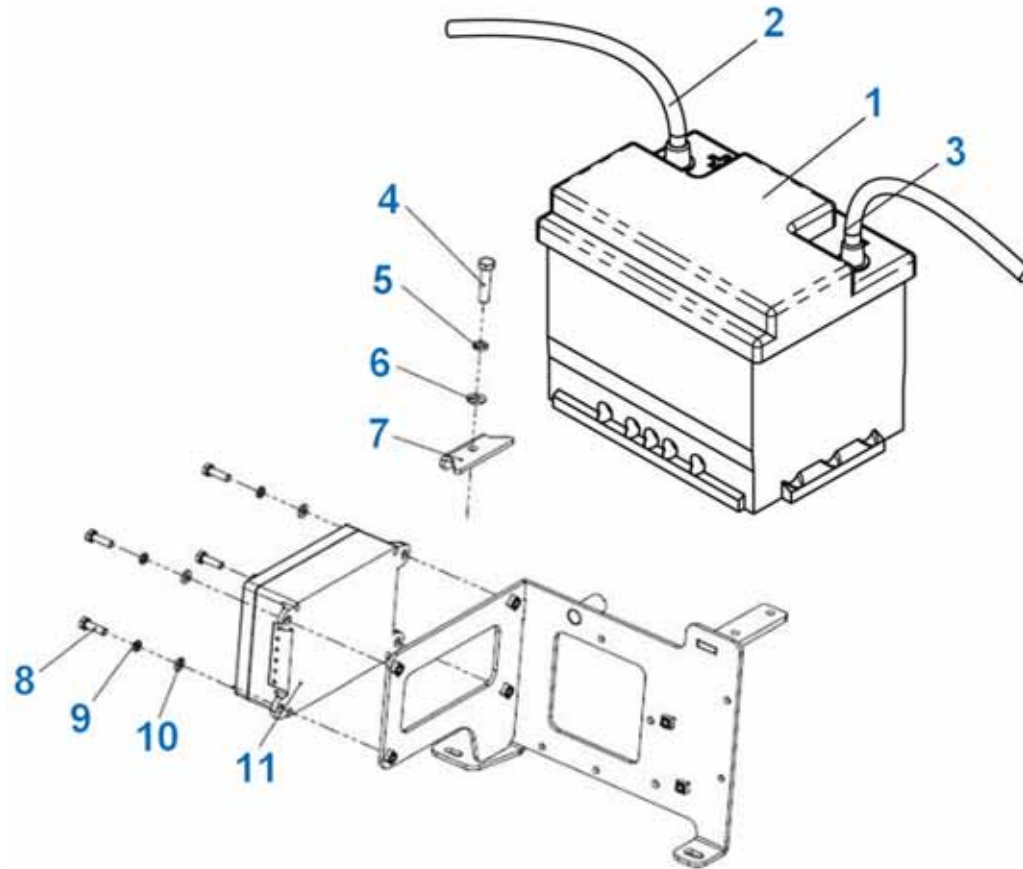
Dashboard				
Item	Part number	Part name	Qty	Remark
1	810-710100-000	Base	1	
2	810-710200-000	Frame	1	
3	810-710300-000	Steering column assembly	1	
4	810-710400-000	Steering axle assembly	1	
5	810-710500-G00	Instrument panel	1	
6	810-710700-G00	Starting switch assembly	1	
7	810-710600-G20	Five seat switch	1	
8	810-710800-G00	Steering lamp switch handle	1	
9	810-710001-200B	Upper cover	1	
10	810-710002-200	Left cover	1	
11	810-710003-200	Right cover	1	
12	810-710004-000	Steering tube lock handle(outer)	1	
13	810-710005-000	Nylon cover	1	
14	810-710006-000	M12 set bolt	2	
15	810-710007-G00	Lower rubber protection ring	1	
16	1130-700001-000	Out coil	1	
17	810-710009-000	Fixed collar	1	
18	6004-2RZ	Deep groove ball bearing GB/T274	1	
19	61904-2RZ	Deep groove ball bearing GB/T276 61904-2RZ	1	
20	008942 00020B	Elastic retaining ring for shaft type B 20	1	
21	810-710010-000	Washer 2	1	
22	810-710009-G10	Steering wheel 300	1	
23	000818 006121	Pan head screw	6	
24	000823 005101	M5*10 pan head screw	10	
25	000095 000051	Flat washer 5	8	



Dashboard

Item	Part number	Part name	Qty	Remark
26	000093 000051	Spring washer 5	8	
27	000854 029095	M2.9x9.5 GB/T854 cross recessed pan head tapping screw	8	
28	000701 050201	Hexagon socket head cap screw M5*20-8.8	4	
29	006170 005001	Hexagon nut M5-8.8	4	
30	810-710008-G00	Rubber ring	1	
31	810-710012-G00	80RB-M10x50-S adjustable locking handle	1	
32	006172 012001	M12 hexagon thin nut GB/6712.1	2	
33	1130-710017-G00	Horn switch	1	
34	1130-700019-G00	Alarm switch	1	
35	1130-710012-G00	Working light switch	1	
36	1130-710018-G00	Double jump switch	1	
37	820-711000-000	Instrument cluster	1	

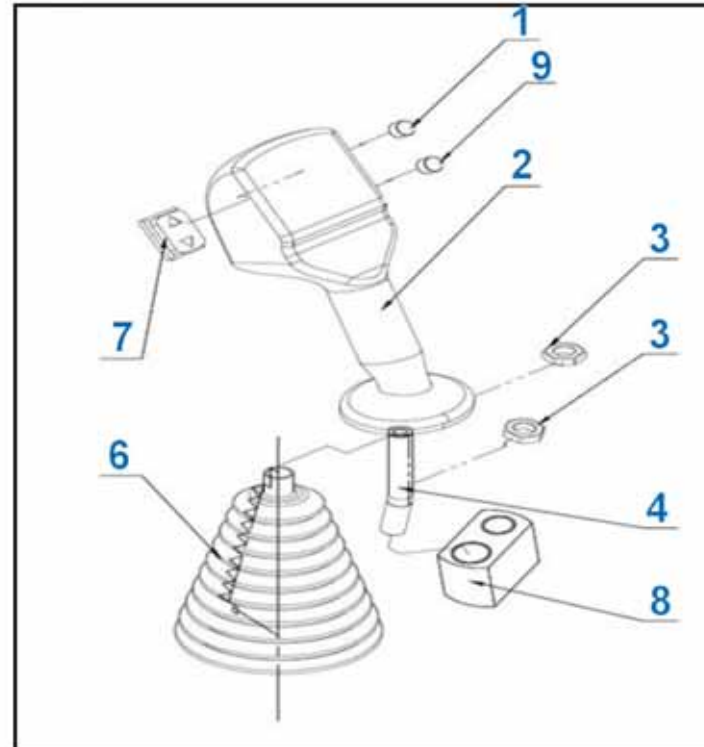
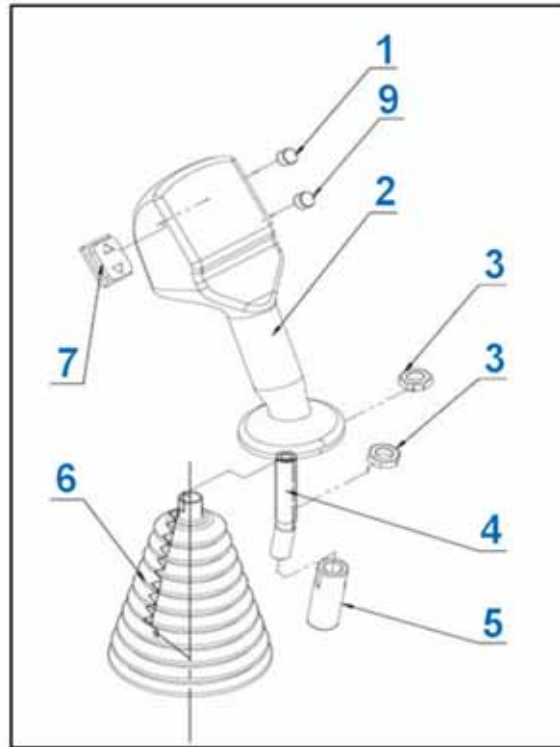
7.3 Battery and control box



Battery and control box

Item	Part number	Part name	Qty	Remark
1	1130-703000-G50	Battery	1	L2-400(12V 60Ah 450CCA)
2	1130-700700-G00	Battery positive wire component	1	
3	1130-700800-G00	Battery negative wire component	1	
4	005783-008035-00	Nut M8x35	1	
5	000093 000008	Washer 8	1	
6	000971 000008	Washer 8	1	
7	1130-700104-000	Battery fixed pressing plate	1	
8	005783 006020	Bolt M6x20	4	
9	000093 000006	Washer 6	4	
10	000971-000006-00	Washer 6	4	
11	1130-700900-G10	Control box (12V-4)	1	

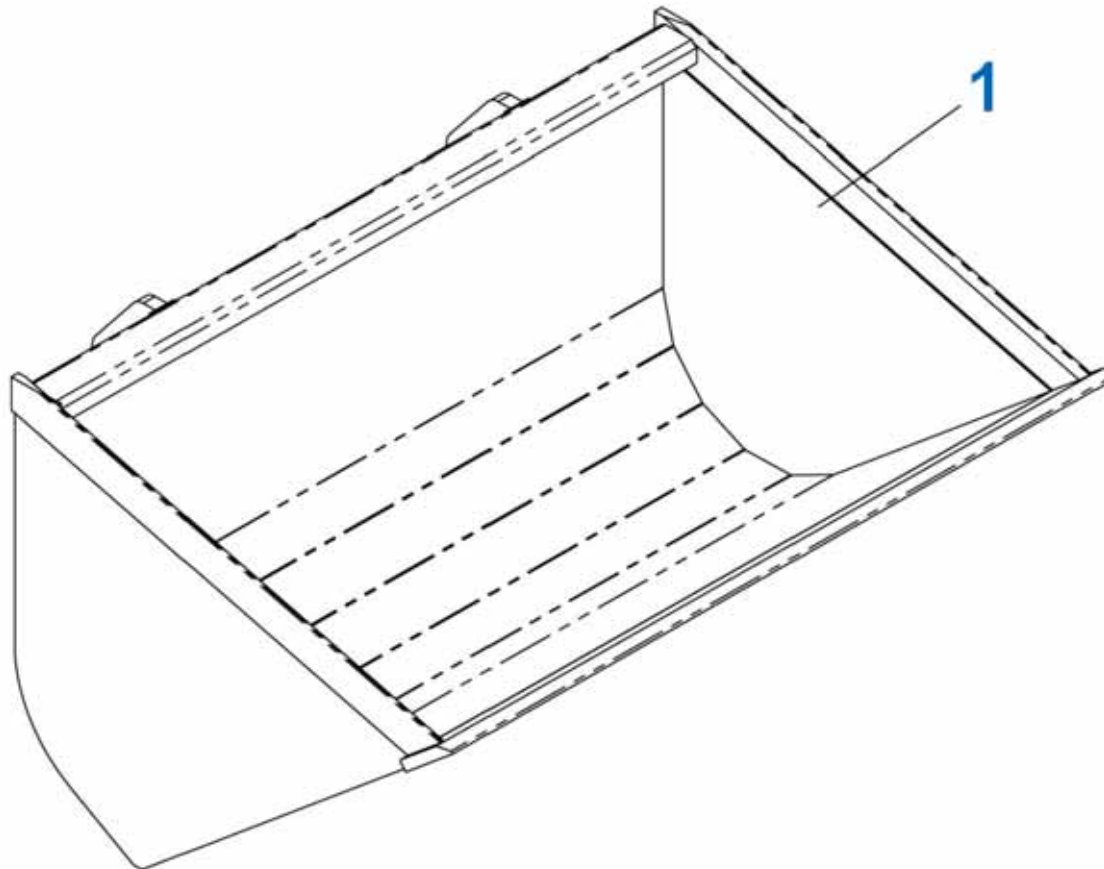
7.4 Operating handle



Operating handle				
Item	Part number	Part name	Qty	Remark
1	1130-600306-G00	Button switch (red)	1	
2	1130-600301-G00	Operating handle housing	1	
3	006173 014002	Nut M14*1.5	2	
4	1130-600303-001	Operating handle lever	1	
5	1130-600304-001	Handle lever	1	Without cabine
6	1230-600009-G00	Handle rubber sleeve	1	
7	1130-701500-001	Handle shift switch	1	
8	1140-440013-003	Connecting plate (cab)	1	With cabine
9	1130-600306-G00	Button switch (red)	1	Two-position six-way valve

8. ATTACHMENT

8.1 Bucket assembly



Bucket assembly				
Item	Part number	Part name	Qty	Remark
1	1130-800000-000	Bucket assembly	1	